

Service Manual

RA R32 Split & multi split M-Series

Indoor unit

FTXJ-M FTXM-M FTXP-KV FDXM-F
FVXM-F FNA-A CTXM-M CTXM-N
ATXM-M ATXM-N FTXP-M9

Outdoor unit

RXJ-M(9) RXJ-N RXM-M(9)
RXM-N(9) MXM-M(9) MXM-N(9)
ARXM-M(9) ARXM-N(9)



The present publication is drawn up by way of information only and does not constitute an offer binding upon Daikin Europe N.V.. Daikin Europe N.V. has compiled the content of this publication to the best of its knowledge. No express or implied warranty is given for the completeness, accuracy, reliability or fitness for particular purpose of its content and the products and services presented therein. Specifications are subject to change without prior notice. Daikin Europe N.V. explicitly rejects any liability for any direct or indirect damage, in the broadest sense, arising from or related to the use and/or interpretation of this publication. All content is copyrighted by Daikin Europe N.V..

Part 1. Introduction	9
1.1. Version log	9
1.2. Safety precautions	10
1.2.1. Meaning of symbols	10
1.2.2. Warnings	10
1.2.3. Cautions	12
1.2.4. Information	13
1.3. General operation	14
1.4. How to use	15
1.4.1. Interactive information flow	15
1.4.2. Parts of the book	16
1.4.2.1. The introduction chapter	16
1.4.2.2. The troubleshooting chapter	16
1.4.2.3. The repair chapter	16
1.4.2.4. The maintenance chapter	16
1.4.2.5. Appendices	16
1.4.3. Contact information	16
 Part 2. Troubleshooting	 17
2.1. Error codes check	17
2.1.1. Error codes via remote controller	17
2.1.1.1. General	17
2.1.1.2. How to clear error codes	17
2.1.1.3. History of error codes	18
2.1.2. Error codes via outdoor unit PCB2 (Service PCB) (3MXM-N(9), 4MXM-N(9), 5MXM-N(9))	19
2.1.2.1. How to retrieve error codes	19
2.2. Error based troubleshooting	20
2.2.1. Indoor unit	21
2.2.1.1. "A0-00" – Detection of refrigerant leak (only for FVXM-F model)	21
2.2.1.2. "A1-00" – PCB abnormality	21
2.2.1.3. "A1-01" – PCB abnormality	22
2.2.1.4. "A5-00" – Freeze-up protection / Heating peak cut control	22
2.2.1.5. "A6-00" – Fan motor abnormality	23
2.2.1.6. "C4-00" – Liquid pipe thermistor for heat exchanger abnormality	23
2.2.1.7. "C7-00" – Front panel open/close fault	24
2.2.1.8. "C9-00" – Suction air thermistor abnormality	24
2.2.1.9. "CH-00" – Abnormality of refrigerant leakage sensor (only for FVXM-F model)	24
2.2.1.10. "UH-00" – Anti-icing function in other room(s)	25
2.2.2. Outdoor unit	26
2.2.2.1. "E1-00" – Outdoor unit PCB abnormality	26
2.2.2.2. "E3-00" – Discharge pressure abnormality	26
2.2.2.3. "E5-00" – Compressor motor lock or overheated	27
2.2.2.4. "E6-00" – Compressor motor lock	27
2.2.2.5. "E7-00" – Fan motor abnormality	28
2.2.2.6. "E8-00" – Compressor overcurrent detection	29
2.2.2.7. "EA-00" – 4-way valve abnormality	29
2.2.2.8. "F3-00" – Discharge pipe temperature abnormality	30
2.2.2.9. "F6-00" – High pressure abnormality or refrigerant overcharge	30
2.2.2.10. "F8-00" – System shutdown due to compressor internal temperature abnormality	31
2.2.2.11. "H0-00" – Compressor sensor system abnormality	31
2.2.2.12. "H6-00" – Position detection sensor abnormality	32
2.2.2.13. "H8-00" – Compressor input (CT) system abnormality	32
2.2.2.14. "H9-00" – Outdoor air temperature thermistor abnormality	33
2.2.2.15. "J3-00" – Discharge pipe thermistor abnormality	33
2.2.2.16. "J6-00" – Outdoor heat exchanger thermistor abnormality	33
2.2.2.17. "J8-00" – Liquid pipe thermistor abnormality	34
2.2.2.18. "J9-00" – Gas pipe thermistor abnormality	34

2.2.2.19. "L1-00" – Outdoor main PCB abnormality	35
2.2.2.20. "L3-00" – Switch box temperature abnormality	36
2.2.2.21. "L4-00" – Inverter radiating fin temperature abnormality	36
2.2.2.22. "L5-00" – Inverter instantaneous overcurrent (AC output)	37
2.2.2.23. "P4-00" – Radiating fin temperature sensor abnormality	38
2.2.3. System	39
2.2.3.1. "U0-00" – Refrigerant shortage	39
2.2.3.2. "U2-00" – Power supply abnormality or instantaneous power failure	39
2.2.3.3. "U3-00" – Check operation not executed or transmission error	40
2.2.3.4. "U4-00" – Transmission abnormality between indoor unit and outdoor unit	41
2.2.3.5. "U5-00" – Malfunction of transmission between indoor unit and remote controller	41
2.2.3.6. "U7-00" – Transmission outdoor unit-outdoor unit abnormality	42
2.2.3.7. "UA-00" – Improper combination of indoor unit and outdoor unit	42
2.2.3.8. "UF-00" – Wiring and piping mismatch	43
2.3. Symptom based troubleshooting	44
2.3.1. Operation does not start	44
2.3.2. Operation sometimes stops	44
2.3.3. Some indoor units do not operate	45
2.3.4. Operation starts but the unit does not cool/heat	45
2.3.5. Operating noise and vibrations	45
2.3.6. Abnormal high pressure	46
2.3.7. Abnormal low pressure	46
2.3.8. Indoor fan starts operating but the compressor does not operate	47
2.3.9. Operation starts and the unit stops immediately	48
2.3.10. Operation stops, unit cannot start for a while	48
2.3.11. Indoor unit	48
2.3.12. Outdoor unit	48
2.3.13. System	48
2.3.14. Others	48
2.4. Component checklist	49
2.4.1. Indoor unit	50
2.4.1.1. Fan motor	50
2.4.2. Outdoor unit	51
2.4.2.1. 4-way valve	51
2.4.2.2. Compressor	53
2.4.2.3. Electronic expansion valve	55
2.4.2.4. Fan motor	57
2.4.2.5. Main PCB	57
2.4.2.6. Refrigerant thermistors	58

Part 3. Repair 61

3.1. Refrigerant repair procedures	61
3.1.1. Refrigerant piping handling	61
3.1.2. Recovery procedure	61
3.1.2.1. Outdoor unit casing	61
3.1.3. Refrigerant pump down	63
3.1.4. Piping repair procedures	64
3.2. Service tools	65
3.3. Unit specific repair procedures	66
3.3.1. Indoor unit	67
3.3.1.1. Replacing R32 sensor (only for FVXM-F model)	67
3.3.2. Outdoor unit	69
3.3.2.1. Basic removal	69
3.3.2.2. Replacing switch box	72
3.3.2.3. Replacing 4-way valve body	74
3.3.2.4. Replacing 4-way valve coil	76
3.3.2.5. Replacing compressor	77
3.3.2.6. Replacing DC fan motor assembly	80
3.3.2.7. Replacing expansion valve body	82

3.3.2.8. Replacing expansion valve motor	83
3.3.2.9. Replacing main PCB	85
3.3.2.10. Replacing propeller fan blade assembly	86
3.3.2.11. Replacing thermistors	87
3.3.2.12. Setting test mode for inverter checker	88

Part 4. Maintenance 89

4.1. Indoor unit	89
4.1.1. General maintenance	89
4.1.2. To clean the air filters	90
4.2. Outdoor unit	91
4.2.1. General maintenance outdoor unit	91

Part 5. Appendix 93

5.1. Field setting	95
5.1.1. Indoor unit	95
5.1.1.1. Indoor fan control during thermostat off in cooling	95
5.1.1.2. Brightness setting of multi-coloured lamp of the indoor unit	96
5.1.1.3. ON/OFF button on the indoor unit	96
5.1.1.4. Heat only mode	96
5.1.1.5. Auto restart ON/OFF	97
5.1.2. Outdoor unit	98
5.1.2.1. Facility setting for outdoor split units	98
5.1.2.2. Multi split outdoor	98
5.1.2.3. Reducing maximum sound levels	101
5.1.3. Remote controller	101
5.2. Wiring diagram	102
5.2.1. Indoor unit	102
5.2.1.1. FNA-A	102
5.2.1.2. FTXM20-42M, FTXM20-42N, CTXM-M, CTXM-N, ATXM20-35M, ATXM20-35N	103
5.2.1.3. FTXM50-71M, FTXM50-71N, ATXM50M, ATXM50N	103
5.2.1.4. FTXM20-35M9	104
5.2.2. Outdoor unit	105
5.2.2.1. 2MXM50M9	105
5.2.2.2. 3MXM68M, 3MXM68N(9)	105
5.2.2.3. 4MXM-M, 4MXM-N	106
5.2.2.4. 5MXM-M, 5MXM-N	106
5.2.2.5. RXJ20-35M(9)	107
5.2.2.6. RXJ50M	107
5.2.2.7. RXM20-35M, ARXM-M	108
5.2.2.8. RXM42-50M	108
5.2.2.9. RXM60-71M	109
5.2.2.10. RXM71M	109
5.2.2.11. RXJ50N	110
5.2.2.12. RXM20-35N9, ARXM25-35N9	110
5.2.2.13. RXM42N9, ARXM50N9	111
5.2.2.14. RXM50-60N9	111
5.2.2.15. RXM71N	112
5.2.2.16. 2MXM40M	112
5.2.2.17. 3MXM40-52M	113
5.2.2.18. RXM20-35M9, ARXM25-35M9	113
5.2.2.19. RXM42-50M9, ARXM50M9	114
5.2.2.20. ARXM50N	114
5.2.2.21. 3MXM40-52N, 3MXM52N9	115
5.2.3. Field wiring	115
5.3. Piping diagram	116
5.3.1. Indoor unit	116
5.3.1.1. FNA-A	116
5.3.1.2. FTXM20-35M, FTXM20N, CTXM-M, CTXM-N, ATXM20-35M, ATXM20N, FTXP35M9	116
5.3.1.3. FTXM25-35N, ATXM25-35N	116

5.3.1.4. FTXM42M	117
5.3.1.5. FTXM42N	117
5.3.1.6. FTXM50-60M, FTXM50-60N, ATXM50M, ATXM50N	117
5.3.1.7. FTXM71M, FTXM71N	118
5.3.1.8. FTXM20-25M9	118
5.3.2. Outdoor unit	119
5.3.2.1. 2MXM40M	119
5.3.2.2. 3MXM68M, 3MXM68N(9)	119
5.3.2.3. 4MXM68M, 4MXM68N	120
5.3.2.4. 5MXM-M, 5MXM-N	120
5.3.2.5. RXJ20-35M(9)	121
5.3.2.6. RXJ50M	121
5.3.2.7. RXM20-35M, RXM20-35M9, ARXM-M, ARXM25-35M9, ARXM25-35N9	122
5.3.2.8. RXM42-50M, RXM42-50M9, ARXM50M9	122
5.3.2.9. RXM60M, RXM60M9	123
5.3.2.10. RXM71M	123
5.3.2.11. RXJ50N	124
5.3.2.12. RXM20-35N9	125
5.3.2.13. RXM42-60N9, ARXM50N, ARXM50-60N9	125
5.3.2.14. RXM71N	126
5.3.2.15. 2MXM-M9	126
5.3.2.16. 3MXM40-52M, 3MXM40-52N, 3MXM52N9	127
5.3.2.17. 4MXM80M, 4MXM80N	127
5.4. Component overview of unit	128
5.4.1. Indoor unit	128
5.4.2. Outdoor unit	128
5.5. Product specific information	129
5.5.1. Error codes	129
5.5.1.1. "E7-00" – Fan motor abnormality	129
5.5.1.2. "EA-00" – Malfunction of 4-way valve	129
5.5.1.3. "F3-00" – Discharge pipe temperature abnormality	129
5.5.1.4. "L3-00" – Switch box temperature abnormality	129
5.5.1.5. "L4-00" – Inverter radiating fin temperature abnormality	129
5.5.2. Component checklist	129
5.6. Switch box	129
5.6.1. Indoor unit	129
5.6.2. Outdoor unit	129
5.7. Field information report	130

Figure 2-1: Service display location	19
Figure 3-1: 1 service port at the stop valves	62
Figure 3-2: 2 service ports at stop valves	63
Figure 3-3: Removing plate work	67
Figure 3-4: Removing the screw	67
Figure 3-5: Removing casing of the sensor	68
Figure 3-6: Removing PCB connectors	68
Figure 3-7: Removing refrigerant connection cover	69
Figure 3-8: Removing the top plate	70
Figure 3-9: Removing the front plate	71
Figure 3-10: Removing the compressor sound insulation	71
Figure 3-11: Removing the switch box	73
Figure 3-12: Removing the 4-way valve	74
Figure 3-13: Removing the 4-way valve coil	76
Figure 3-14: Removing the compressor	78
Figure 3-15: Removing the DC fan motor assembly	81
Figure 3-16: Removing the expansion valve	82
Figure 3-17: Removing the expansion valve motor	83
Figure 3-18: Locking the expansion valve motor	84
Figure 3-19: Removing the main PCB	85
Figure 3-20: Removing the propeller fan blade assembly	86
Figure 3-21: Replacing a thermistor	87
Figure 5-1: How to change fan OFF to ON when in cooling thermo off	95
Figure 5-2: Heat only mode	96
Figure 5-3: Jumper settings	98
Figure 5-4: Service PC board wiring error check switch location	98
Figure 5-5: Dip switch location	99
Figure 5-6: S15 connector location	100
Figure 5-7: Jumper location	100
Figure 5-8: Cutting J5 jumper	101
Figure 5-9: Wiring diagram - indoor unit FNA-A	102
Figure 5-10: Wiring diagram - indoor unit FTXM20-42M, FTXM20-42N, CTXM-M, CTXM-N, ATXM20-35M, ATXM20-35N	103
Figure 5-11: Wiring diagram - indoor unit FTXM50-71M, FTXM50-71N, ATXM50M, ATXM50N	103
Figure 5-12: Wiring diagram - indoor unit FTXM20-35M9	104
Figure 5-13: Wiring diagram - outdoor unit 2MXM50M9	105
Figure 5-14: Wiring diagram - outdoor unit 3MXM68M, 3MXM68N(9)	105
Figure 5-15: Wiring diagram - outdoor unit 4MXM-M, 4MXM-N	106
Figure 5-16: Wiring diagram - outdoor unit 5MXM-M, 5MXM-N	106
Figure 5-17: Wiring diagram - outdoor unit RXJ20-35M(9)	107
Figure 5-18: Wiring diagram - outdoor unit RXJ50M	107
Figure 5-19: Wiring diagram - outdoor unit RXM20-35M, ARXM-M	108
Figure 5-20: Wiring diagram - outdoor unit RXM42-50M	108
Figure 5-21: Wiring diagram - outdoor unit RXM60-71M	109

Figure 5-22: Wiring diagram - outdoor unit RXM71M	109
Figure 5-23: Wiring diagram - outdoor unit RXJ50N	110
Figure 5-24: Wiring diagram - outdoor unit RXM20-35N9, ARXM25-35N9	110
Figure 5-25: Wiring diagram - outdoor unit RXM42N9, ARXM50N9	111
Figure 5-26: Wiring diagram - outdoor unit RXM50-60N9	111
Figure 5-27: Wiring diagram - outdoor unit RXM71N	112
Figure 5-28: Wiring diagram - outdoor unit 2MXM40M	112
Figure 5-29: Wiring diagram - outdoor unit 3MXM40-52M	113
Figure 5-30: Wiring diagram - outdoor unit RXM20-35M9, ARXM25-35M9	113
Figure 5-31: Wiring diagram - outdoor unit RXM42-50M9, ARXM50M9	114
Figure 5-32: Wiring diagram - outdoor unit ARXM50N	114
Figure 5-33: Wiring diagram - outdoor unit 3MXM40-52N, 3MXM52N9	115
Figure 5-34: Piping diagram - indoor unit FNA-A	116
Figure 5-35: Piping diagram - indoor unit FTXM20-35M, FTXM20N, CTXM-M, CTXM-N, ATXM20-35M, ATXM20N, FTXP35M9	116
Figure 5-36: Piping diagram - indoor unit FTXM25-35N, ATXM25-35N	116
Figure 5-37: Piping diagram - indoor unit FTXM42M	117
Figure 5-38: Piping diagram - indoor unit FTXM42N	117
Figure 5-39: Piping diagram - indoor unit FTXM50-60M, FTXM50-60N, ATXM50M, ATXM50N	117
Figure 5-40: Piping diagram - indoor unit FTXM71M, FTXM71N	118
Figure 5-41: Piping diagram - indoor unit FTXM20-25M9	118
Figure 5-42: Piping diagram - outdoor unit 2MXM40M	119
Figure 5-43: Piping diagram - outdoor unit 3MXM68M, 3MXM68N(9)	119
Figure 5-44: Piping diagram - outdoor unit 4MXM68M, 4MXM68N	120
Figure 5-45: Piping diagram - outdoor unit 5MXM-M, 5MXM-N	120
Figure 5-46: Piping diagram - outdoor unit RXJ20-35M(9)	121
Figure 5-47: Piping diagram - outdoor unit RXJ50M	121
Figure 5-48: Piping diagram - outdoor unit RXM20-35M, RXM20-35M9, ARXM-M, ARXM25-35M9, ARXM25-35N9	122
Figure 5-49: Piping diagram - outdoor unit RXM42-50M, RXM42-50M9, ARXM50M9	122
Figure 5-50: Piping diagram - outdoor unit RXM60M, RXM60M9	123
Figure 5-51: Piping diagram - outdoor unit RXM71M	123
Figure 5-52: Piping diagram - outdoor unit RXJ50N	124
Figure 5-53: Piping diagram - outdoor unit RXM20-35N9	125
Figure 5-54: Piping diagram - outdoor unit RXM42-60N9, ARXM50N, ARXM50-60N9	125
Figure 5-55: Piping diagram - outdoor unit RXM71N	126
Figure 5-56: Piping diagram - outdoor unit 2MXM-M9	126
Figure 5-57: Piping diagram - outdoor unit 3MXM40-52M, 3MXM40-52N, 3MXM52N9	127
Figure 5-58: Piping diagram - outdoor unit 4MXM80M, 4MXM80N	127
Figure 5-59: Component overview - outdoor unit	128

Part 1. Introduction

This part contains the following chapters:

Version log	9
Safety precautions.....	10
General operation.....	14
How to use	15

1.1. Version log

Version code	Description	Date
ESIE16-02A	Document release	21/03/2017
ESIE16-02B	Manual also applicable for MXM-N	04/04/2017
ESIE16-02C	Added error codes A0 and CH for FVXM-F model	02/03/2018
ESIE16-02D	Added model FNA-A	09/04/2018
ESIE16-02E	Added field setting "heat only mode"	20/04/2018
ESIE16-02F	Cold region setting Multi	24/04/2018
ESIE16-02G	Extra faulty cause error "EA"	24/04/2018
	Preliminary release	26/04/2018
	Added procedure to clear error code A0	01/06/2018
ESIE16-02H	Extra information error codes U5, U4, UA	17/07/2018
	Extended procedure "How to reset error codes"	28/08/2018
	Added error code U3	06/09/2018
ESIE16-02I	Added models RXJ-N, RXM-M9, RXM-N(9), ARXM-M(9), ARXM-N(9), CTXM-M, CTXM-N, ATXM-M, ATXM-N	28/03/2019
ESIE16-02J	Added models FTXP-M9, MXM-N9	16/07/2020
	Extra content and modifications on Pump down	16/07/2020
	Extra content on maintenance of indoor unit	16/07/2020
	Added error code F8	16/07/2020
	Modifications on General operation	16/07/2020
	Added symptom based troubleshooting	16/07/2020
ESIE16-02K	Added models RXJ20~35M9	31/05/2021
	Added Reducing maximum sound levels to the Field Settings	31/05/2021

1.2. Safety precautions

The precautions described in this document cover very important topics, follow them carefully.

All activities described in the service manual must be performed by an authorized person.

If you are not sure how to install, operate or service the unit, contact your dealer.









In accordance with the applicable legislation, it might be necessary to provide a logbook with the product containing at least: information on maintenance, repair work, results of tests, stand-by periods, ...

Also, at least, following information must be provided at an accessible place at the product:


- Instructions for shutting down the system in case of an emergency
- Name and address of fire department, police and hospital
- Name, address and day and night telephone numbers for obtaining service













In Europe, EN378 provides the necessary guidance for this logbook.

1.2.1. Meaning of symbols

	WARNING Indicates a situation that could result in death or serious injury.
	WARNING: RISK OF ELECTROCUTION Indicates a situation that could result in electrocution.
	WARNING: RISK OF BURNING Indicates a situation that could result in burning because of extreme hot or cold temperatures.
	WARNING: RISK OF EXPLOSION Indicates a situation that could result in explosion.
	WARNING: RISK OF POISONING Indicates a situation that could result in poisoning.
	WARNING: RISK OF FIRE Indicates a situation that could result in fire.
	CAUTION Indicates a situation that could result in equipment or property damage.
	INFORMATION Indicates useful tips or additional information.

1.2.2. Warnings

	WARNING Improper installation or attachment of equipment or accessories could result in electric shock, short-circuit, leaks, fire or other damage to the equipment. Only use accessories, optional equipment and spare parts made or approved by Daikin.
---	---

	<p>WARNING</p> <p>Make sure installation, testing and applied materials comply with applicable legislation (on top of the instructions described in the Daikin documentation).</p>
	<p>WARNING</p> <p>Make sure the work site environment is clean and safe to work in. Beware of spilled fluids, like water, oil or other substances. Protect bystanders from injury and property from possible damage cause by service works.</p>
	<p>WARNING</p> <p>Wear adequate personal protective equipment (protective gloves, safety glasses,...) when installing, maintaining or servicing the system.</p>
	<p>WARNING</p> <p>Tear apart and throw away plastic packaging bags so that nobody, especially children, can play with them. Possible risk: suffocation.</p>
	<p>WARNING</p> <p>Do NOT touch the air inlet or aluminium fins of the unit.</p>
	<p>WARNING</p> <ul style="list-style-type: none"> Do NOT place any objects or equipment on top of the unit. Do NOT sit, climb or stand on the unit.
	<p>WARNING</p> <p>During tests, NEVER pressurize the product with a pressure higher than the maximum allowable pressure (as indicated on the nameplate of the unit).</p>
	<p>WARNING</p> <ul style="list-style-type: none"> Never mix different refrigerants or allow air to enter the refrigerant system. Never charge recovered refrigerant from another unit. Use recovered refrigerant only on the same unit where it was recovered from, or have it recycled at a certified facility.
	<p>WARNING: RISK OF FIRE</p> <ul style="list-style-type: none"> When reconnecting a connector to the PCB, do not apply force or damage the connector or the connector pins on the PCB.
	<p>WARNING: RISK OF BURNING</p> <ul style="list-style-type: none"> Do NOT touch the refrigerant piping, water piping or internal parts during and immediately after operation. It could be too hot or too cold. Give it time to return to normal temperature. If you must touch it, wear protective gloves. Do NOT touch any accidental leaking refrigerant.
	<p>WARNING</p> <p>Always recover the refrigerants. Do NOT release them directly into the environment. Use a recovery pump to evacuate the installation.</p> <p>Take sufficient precautions in case of refrigerant leakage. If refrigerant gas leaks, ventilate the area immediately.</p> <p>Possible risks:</p> <ul style="list-style-type: none"> Excessive refrigerant concentrations in a closed room can lead to oxygen deficiency. Toxic gas may be produced if refrigerant gas comes into contact with fire. <p>Where applicable, pump down the system and close the service valve, before leaving the site if leak was not repaired, to avoid further leaking of the refrigerant.</p>
	<p>WARNING: RISK OF ELECTROCUTION</p> <ul style="list-style-type: none"> Turn OFF all power supply before removing the switch box cover, connecting electrical wiring or touching electrical parts. Where applicable, stop the equipment's operation first and allow (refrigerant) pressure to equalize, before turning OFF the power. Disconnect the power supply for more than 1 minute, and measure the voltage at the terminals of main circuit capacitors or electrical components before servicing. The voltage must be less than 50 V DC before you can touch electrical components. For the location of the terminals, refer to "Wiring diagram" on page 102. Do NOT touch electrical components with wet hands. Do NOT leave the unit unattended when the service cover is removed. Protect electric components from getting wet while the service cover is opened.

	<p>WARNING</p> <ul style="list-style-type: none"> • Only use copper wires. • All field wiring must be performed in accordance with the wiring diagram and installation manual supplied with the product. • If the power cable and lead wires have scratches or deteriorated, be sure to replace them. Damaged cable and wires may cause an electrical shock, excessive heat generation or fire. • Secure all terminal connections and provide proper routing for cables, both inside and outside the switchbox. • NEVER squeeze bundled cables and make sure they do not come in contact with the piping and sharp edges. • Make sure no external pressure is applied to the terminal connections. • Make sure to check the earth wiring. Do NOT earth the unit to a utility pipe, surge absorber, or telephone earth. Improper earth wiring may cause electrical shock. • Make sure to use a dedicated power circuit. NEVER use a power supply shared by another appliance. • Make sure to check the required fuses and/or circuit breakers before starting works.
	<p>WARNING</p> <ul style="list-style-type: none"> • After finishing the electrical work, confirm that each electrical component and terminal inside the electrical components box is connected securely. • Make sure all covers are closed before starting the unit again.
	<p>WARNING</p> <ul style="list-style-type: none"> • The area shall be checked with an appropriate refrigerant detector prior to and during work, to ensure the technician is aware of potentially toxic or flammable atmospheres. • Ensure that the leak detection equipment being used is suitable for use with all applicable refrigerants, i.e. non-sparking, adequately sealed or intrinsically safe.
	<p>WARNING</p> <ul style="list-style-type: none"> • Equipment shall be labelled stating that it has been de-commissioned and emptied of refrigerant. • The label shall be dated and signed. • For appliances containing flammable refrigerants, ensure that there are labels on the equipment stating the equipment contains flammable refrigerant.

1.2.3. Cautions

	<p>CAUTION</p> <p>Provide adequate measures to prevent that the unit can be used as a shelter by small animals. Small animals that make contact with electrical parts can cause malfunctions, smoke or fire.</p>
	<p>CAUTION</p> <ul style="list-style-type: none"> • Make sure water quality complies with EU directive 98/83 EC. • Check the system for leaks after each repair/modification of the water side. • Check drainage system(s) after repairs. • Be careful when tilting units as water may leak.

1.2.4. Information

**INFORMATION**

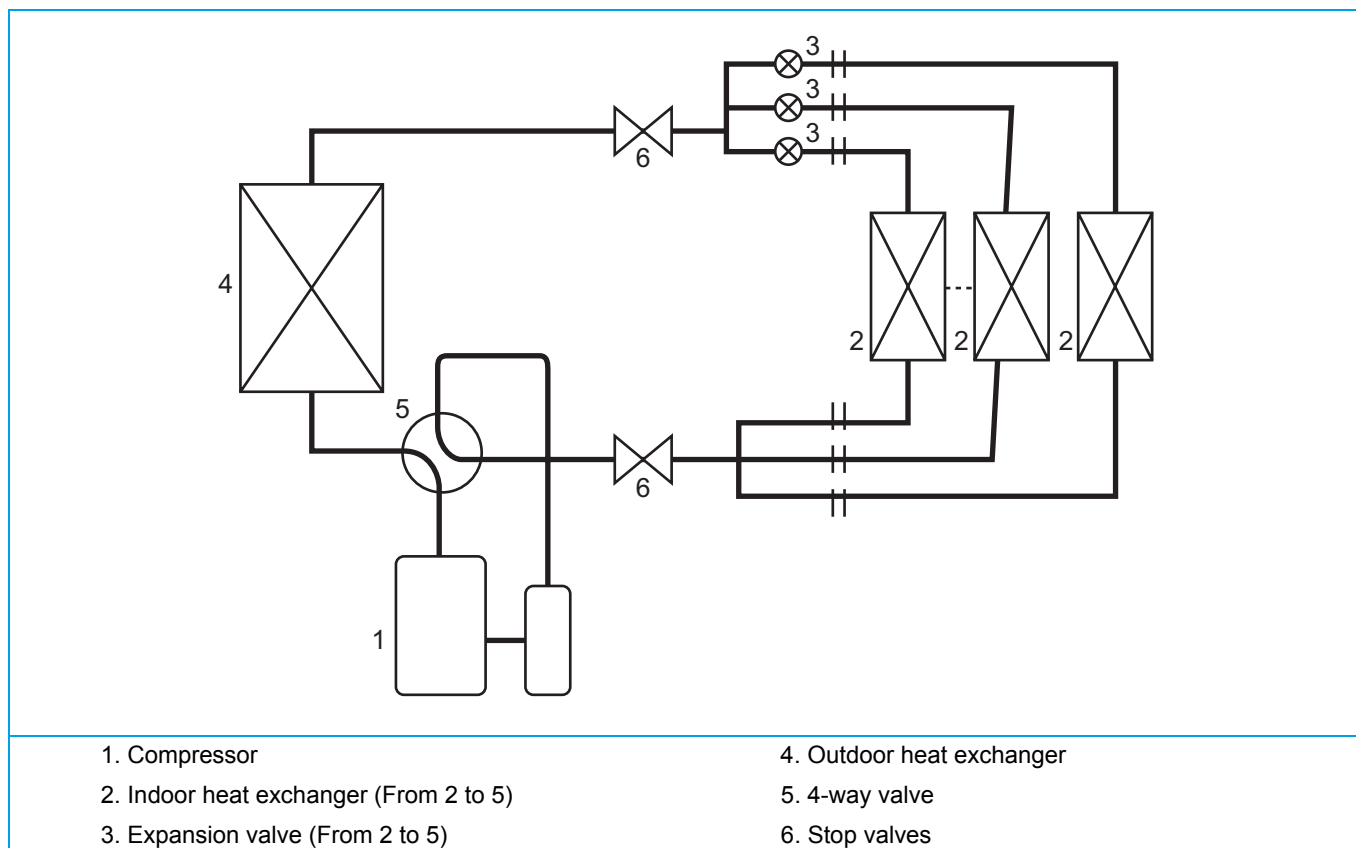
Make sure refrigerant piping installation complies with applicable legislation. In Europe, EN378 is the applicable standard.

**INFORMATION**

Make sure the field piping and connections are not subjected to stress.

1.3. General operation

- The Multi Split is typically used for cooling or heating in residential applications. The medium which is used to transfer the heat from inside to outside or vice versa, is refrigerant R32.



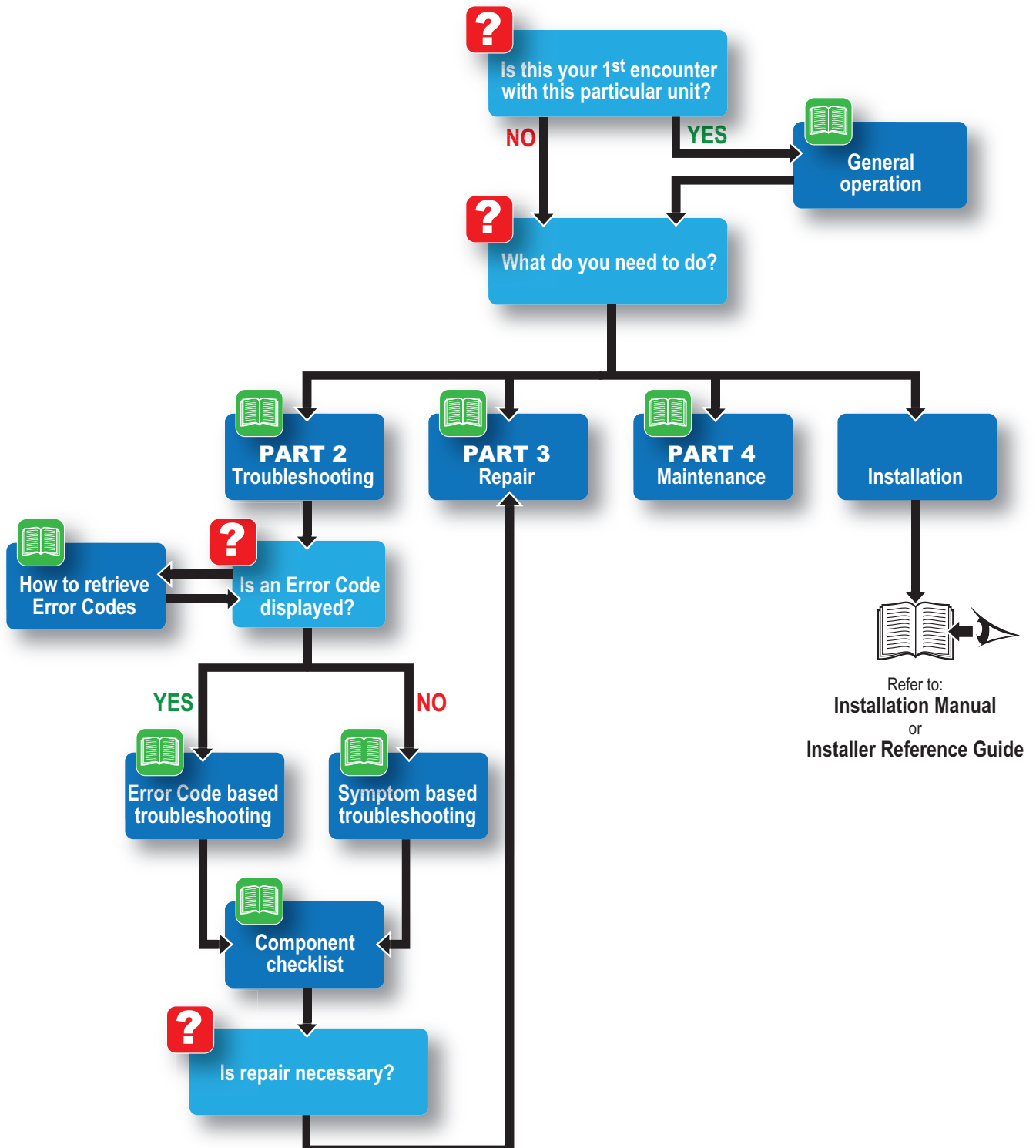
- In case of cooling, the compressor builds up pressure and hence the temperature of the refrigerant is increased. The hot refrigerant is carried to the outdoor heat exchanger which will cool down the hot refrigerant by fan. The temperature of refrigerant is further decreased by expansion through expansion valve(s). The cold refrigerant flows into the indoor unit(s) and are capable of taking up heat again. This is enabled by a fan that sucks indoor air over heat exchanger(s). This refrigerant is then transported to the compressor where temperature is further built up again and the cycle starts again. For heating, it's just the other way round.
- Each indoor unit has its own dedicated expansion valve to control the amount of the refrigerant flow going into their heat exchangers. This is defined by their own parameters (Setpoint, air temperature...etc).

1.4. How to use

1.4.1. Interactive information flow

This Daikin product Service Manual is intended for professional use only. The actions described hereafter, are only to be performed by qualified and certified persons, taking into account the safety precautions mentioned in this manual and the local regulations as well.

By following the diagram below, the reader can find the relevant information related to his/her task. The digital (pdf) version of this book allows direct page access through all active links. When Adobe Acrobat Reader is used, the <Alt> + <Back Arrow> keys or the arrow in the top right-hand corner of this page can be used to return to the previously viewed page.



1.4.2. Parts of the book

This Daikin product Service Manual is intended for professional use only. The actions described hereafter, are only to be performed by qualified and certified persons, taking into account the safety precautions mentioned in this manual and the local regulations as well.

As can be observed from the Table of Contents, this manual is split up into several chapters:

1.4.2.1. The introduction chapter

The chapter "Introduction" on page 9 includes the safety precautions, this topic and the general operation description of the product(s) this manual refers to.

1.4.2.2. The troubleshooting chapter

The chapter "Troubleshooting" on page 17 not only deals with the methods to recognize and resolve occurring error codes; it also describes the methods how to solve a problem that does not immediately trigger an error code. Such problems are referred to as 'symptom based'. Both the error code based and symptom based troubleshooting tables, indicate possible causes, the necessary checks and in case required, how to repair. The possible causes have been sorted to probability of occurrence and speed of execution.

1.4.2.3. The repair chapter

The chapter "Repair" on page 61 handles the removal and replacement of the major components in the product and discusses cleaning methods as well if applicable, such as for filters. Where applicable, refrigerant handling precautions are mentioned for certain actions; please consider these carefully for your own safety.

1.4.2.4. The maintenance chapter

The chapter "Maintenance" on page 89 of this manual describes the maintenance intervals and procedures to be performed on the product. Remember that a well maintained product, is a more reliable and efficient product.

1.4.2.5. Appendices

Finally, the service manual provides in chapter "Appendix" on page 93 valuable reference data such as piping/wiring diagrams, field settings overview and a checklist to be filled in when you need to escalate an issue to your dealer.

1.4.3. Contact information

This manual has been made with much care and effort. Use it in your daily jobs, as it has been made for you.

Despite our efforts, there is always a chance some cleric or other mistake has been made during the creation of this manual. We kindly ask you to send the found mistakes, or remarks for improvement, to the no-reply email address servicemanual@daikineurope.com.

Part 2. Troubleshooting

This part contains the following chapters:

Error codes check	17
Error based troubleshooting	20
Symptom based troubleshooting	44
Component checklist	49

2.1. Error codes check

2.1.1. Error codes via remote controller

2.1.1.1. General

If operation stops due to malfunction, the remote controller's operation LED blinks, and malfunction code is displayed. (Even if stop operation is carried out, malfunction contents are displayed when inspection mode is entered.) The malfunction code enables you to tell what kind of malfunction caused operation to stop.

2.1.1.2. How to clear error codes

1. Replace sensor to new one.
2. Power ON the unit.
3. Clear last error:
 - Press "TEMP" and "MODE" buttons at the same time.



- Press "ON/OFF" button for 5 sec.



- Power OFF and power ON the unit.
- Go to "trial operation" (as explain in the manual):
 - Press "TEMP" and "MODE" buttons at the same time.



- Press "MODE" button 2 times and you will see 7 on the screen of the remote.

- Power OFF and power ON the unit.
- Normal unit operation.

2.1.1.3. History of error codes

Not applicable for this remote controller.

2.1.2. Error codes via outdoor unit PCB2 (Service PCB) (3MXM-N(9), 4MXM-N(9), 5MXM-N(9))

2.1.2.1. How to retrieve error codes

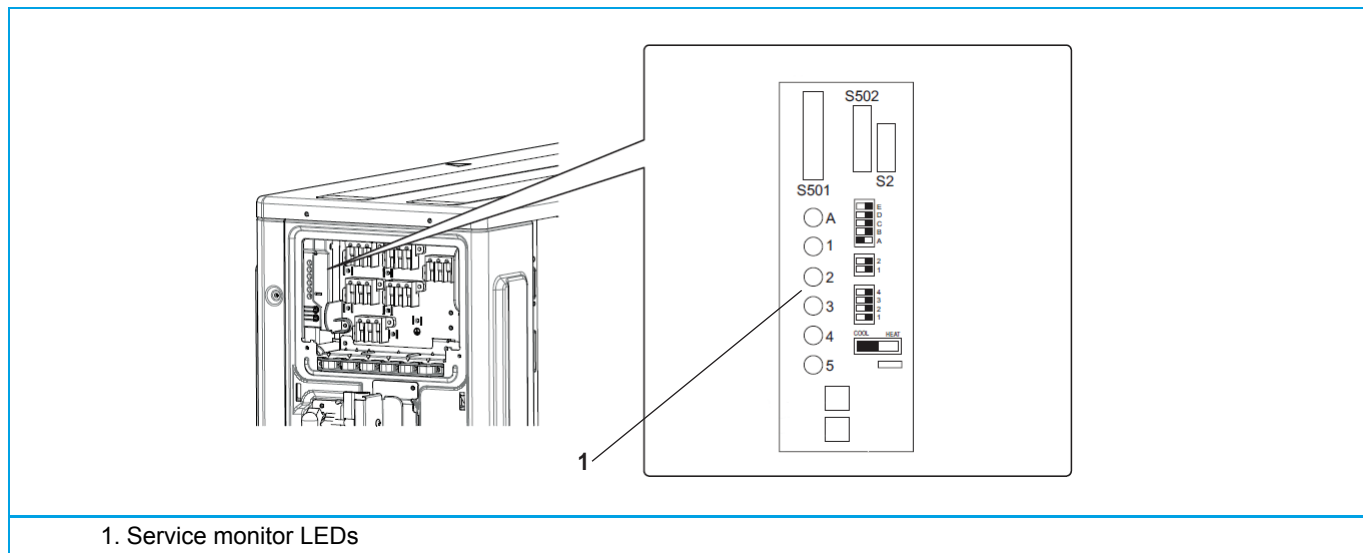
Troubleshooting via the service display.

GREEN	RED					GREEN	FLASHING: NORMAL	☀	ON	☀	FLASHING
MICRO-COMPUTER NORMAL LED-A	MALFUNCTION DETECTION					RED	OFF: NORMAL	●	OFF	—	ANY STATUS
	LED 1	LED 2	LED 3	LED 4	LED 5	DIAGNOSIS					
☀	●	●	●	●	●	normal -> check indoor unit					
☀	☀	●	☀	☀	●	high pressure protector activated or freeze-up in operating unit, or stand-by unit					
☀	☀	●	☀	●	●	overload relay activated or high discharge pipe temperature					
☀	●	☀	☀	●	●	faulty compressor start					
☀	●	☀	●	☀	●	input overcurrent					
☀	☀	☀	●	●	●	thermistor or ct abnormality					
☀	☀	☀	●	☀	●	high temperature switchbox					
☀	●	●	●	☀	●	high temperature at inverter circuit heatsink					
☀	●	●	☀	●	●	output overcurrent					
☀	●	●	☀	☀	●	refrigerant shortage					
☀	☀	●	●	☀	●	low voltage to main circuit or over voltage to main circuit					
☀	☀	●	●	●	●	reversing solenoid valve switching failure. * or high pressure switching failure					
☀	☀	☀	☀	●	●	faulty outdoor unit pcb					
☀	☀	☀	☀	☀	●	fan motor fault					
☀	●	☀	●	●	●	wiring error check unfinished					
☀	—	—	—	—	—	(Note 1)					
☀	—	—	—	—	—	power supply fault					

* MAY NOT BE APPLICABLE DEPENDING ON THE MODEL

Note 1: Turn the power off and on again

Figure 2-1: Service display location



2.2. Error based troubleshooting

Overview of error codes:

Indoor unit.....	21
“A0-00” – Detection of refrigerant leak (only for FVXM-F model).....	21
“A1-00” – PCB abnormality.....	21
“A1-01” – PCB abnormality.....	22
“A5-00” – Freeze-up protection / Heating peak cut control.....	22
“A6-00” – Fan motor abnormality.....	23
“C4-00” – Liquid pipe thermistor for heat exchanger abnormality	23
“C7-00” – Front panel open/close fault.....	24
“C9-00” – Suction air thermistor abnormality.....	24
“CH-00” – Abnormality of refrigerant leakage sensor (only for FVXM-F model).....	24
“UH-00” – Anti-icing function in other room(s).....	25
Outdoor unit.....	26
“E1-00” – Outdoor unit PCB abnormality.....	26
“E3-00” – Discharge pressure abnormality.....	26
“E5-00” – Compressor motor lock or overheated	27
“E6-00” – Compressor motor lock	27
“E7-00” – Fan motor abnormality.....	28
“E8-00” – Compressor overcurrent detection	29
“EA-00” – 4-way valve abnormality.....	29
“F3-00” – Discharge pipe temperature abnormality.....	30
“F6-00” – High pressure abnormality or refrigerant overcharge	30
“F8-00” – System shutdown due to compressor internal temperature abnormality.....	30
“H0-00” – Compressor sensor system abnormality.....	31
“H6-00” – Position detection sensor abnormality.....	32
“H8-00” – Compressor input (CT) system abnormality.....	32
“H9-00” – Outdoor air temperature thermistor abnormality	33
“J3-00” – Discharge pipe thermistor abnormality.....	33
“J6-00” – Outdoor heat exchanger thermistor abnormality.....	33
“J8-00” – Liquid pipe thermistor abnormality	34
“J9-00” – Gas pipe thermistor abnormality	34
“L1-00” – Outdoor main PCB abnormality	35
“L3-00” – Switch box temperature abnormality.....	36
“L4-00” – Inverter radiating fin temperature abnormality	36
“L5-00” – Inverter instantaneous overcurrent (AC output).....	37
“P4-00” – Radiating fin temperature sensor abnormality.....	38
System.....	39
“U0-00” – Refrigerant shortage.....	39
“U2-00” – Power supply abnormality or instantaneous power failure	39
“U3-00” – Check operation not executed or transmission error.....	40
“U4-00” – Transmission abnormality between indoor unit and outdoor unit	41
“U5-00” – Malfunction of transmission between indoor unit and remote controller	41
“U7-00” – Transmission outdoor unit-outdoor unit abnormality	42
“UA-00” – Improper combination of indoor unit and outdoor unit	42
“UF-00” – Wiring and piping mismatch	43

2.2.1. Indoor unit

2.2.1.1. "A0-00" – Detection of refrigerant leak (only for FVXM-F model)

Trigger	Effect	Reset
Detect gas leakage (R32 or other gases).	Outdoor unit stops running. Indoor fan starts in fan only. Blinking led indoor.	After 10 min. of no gas detection: <ul style="list-style-type: none"> A0 error disappears (auto reset) Unit starts working again After 10 min. of gas detection: <ul style="list-style-type: none"> A0 error continuous Buzzer will start beeping Action: <ol style="list-style-type: none"> Replace the sensor Clear the error code

Possible cause	Check	Corrective action
Refrigerant leakage.	Check for refrigerant leak indoor unit with electronic leak detector.	Repair leak and recharge refrigerant if required. Clear error code.
No refrigerant leakage.	Check possible other gasses: hairspray, alcohol, cleaning agent, ...	Ventilate the room.

More info:

Check procedures	Replacing procedures
"How to clear error codes" on page 17	

2.2.1.2. "A1-00" – PCB abnormality

Trigger	Effect	Reset
The system cannot set the internal settings	Unit will stop operating.	Power reset via outdoor unit.

Possible cause	Check	Corrective action
Wrong models interconnected	Check if unit combination is official. Refer to 'Combination database'.	Install compatible models.
Faulty wiring.	Check the connection of all terminals by disconnecting and reconnecting all terminals.	Replace wire harness/terminal when connection is not OK.
Faulty or disturbance of the power supply (imbalance > 10%). Power drop. Short circuit.	Check if the power supply is conform with regulations. No fluctuations in frequency.	Adjust power supply when required. Power reset via outdoor unit.
Faulty indoor PCB.	Check if error still occurs after turning off power and turning it back on again. Check if the indoor PCB receives power. Check if the HAP LED is blinking in regular intervals. Check if the correct spare part is installed. Check the wiring to indoor PCB.	Adjust power to the indoor PCB. Replace indoor PCB when HAP LED is not blinking in regular intervals. Install correct spare part or update indoor PCB. Adjust wiring to indoor PCB when required.

2.2.1.3. "A1-01" – PCB abnormality

Trigger	Effect	Reset
The system cannot set the internal settings	Unit will stop operating.	Power reset via outdoor unit.

Possible cause	Check	Corrective action
Wrong models interconnected	Check if unit combination is official. Refer to 'Combination database'.	Install compatible models.
Faulty wiring.	Check the connection of all terminals by disconnecting and reconnecting all terminals.	Replace wire harness/terminal when connection is not OK.
Faulty or disturbance of the power supply (imbalance > 10%). Power drop. Short circuit.	Check if the power supply is conform with regulations. No fluctuations in frequency.	Adjust power supply when required. Power reset via outdoor unit.
Faulty indoor PCB.	Check if error still occurs after turning off power and turning it back on again. Check if the indoor PCB receives power. Check if the HAP LED is blinking in regular intervals. Check if the correct spare part is installed. Check the wiring to indoor PCB.	Adjust power to the indoor PCB. Replace indoor PCB when HAP LED is not blinking in regular intervals. Install correct spare part or update indoor PCB. Adjust wiring to indoor PCB when required.

2.2.1.4. "A5-00" – Freeze-up protection / Heating peak cut control

Trigger	Effect	Reset
<ul style="list-style-type: none"> during cooling operation, indoor heat exchanger temperature is below 0°C (freeze-up protection control). during heating operation, indoor heat exchanger is above 65°C (heating peak-cut control). 	Unit will stop operating.	Automatic reset when temperature is within range.

Possible cause	Check	Corrective action
Air short-circuit.	Check if the airflow around the unit is OK and there are no obstructions.	Remove obstruction.
Clogged air filter.	Check if the air filter is clogged.	Clean the air filter.
Dust accumulation on indoor heat exchanger.	Check if indoor heat exchanger is dirty/dusty.	Clean the indoor heat exchanger.
Faulty indoor heat exchanger thermistor.	Check indoor heat exchanger thermistor.	Replace indoor heat exchanger thermistor when required.
Faulty indoor PCB.	Check if error still occurs after turning off power and turning it back on again. Check if the indoor PCB receives power. Check if the HAP LED is blinking in regular intervals. Check if the correct spare part is installed. Check the wiring to indoor PCB.	Adjust power to the indoor PCB. Replace indoor PCB when HAP LED is not blinking in regular intervals. Install correct spare part or update indoor PCB. Adjust wiring to indoor PCB when required.

2.2.1.5. "A6-00" – Fan motor abnormality

Trigger	Effect	Reset
The rotation speed of the fan motor is not detected while the output voltage to the fan is at its maximum.	Unit will stop operating.	Power reset via outdoor unit.

Possible cause	Check	Corrective action
Faulty indoor PCB.	Check if error still occurs after turning off power and turning it back on again. Check if the indoor PCB receives power. Check if the HAP LED is blinking in regular intervals. Check if the correct spare part is installed. Check the wiring to indoor PCB.	Adjust power to the indoor PCB. Replace indoor PCB when HAP LED is not blinking in regular intervals. Install correct spare part or update indoor PCB. Adjust wiring to indoor PCB when required.
Faulty indoor fan motor.	Check the fan motor. Check fan motor connections and wiring.	Replace fan motor when required. Adjust wiring when required.
Indoor fan motor locked.	Switch of the power. Turn fan manually.	Replace fan motor when the fan does not turn smoothly.

More info:

Check procedures	Replacing procedures
"Fan motor" on page 50	

2.2.1.6. "C4-00" – Liquid pipe thermistor for heat exchanger abnormality

Trigger	Effect	Reset
Thermistor input is > 4.96 V or < 0.04 V during compressor operation.	Unit will stop operating.	Power reset via outdoor unit.

Possible cause	Check	Corrective action
Faulty liquid pipe thermistor.	Check liquid pipe thermistor.	Replace liquid pipe thermistor when required.
Faulty indoor unit main PCB.	Check if error still occurs after turning off power and turning it back on again. Check if the indoor PCB receives power. Check if the HAP LED is blinking in regular intervals. Check if the correct spare part is installed. Check the wiring to indoor PCB.	Adjust the power to the indoor main PCB. Replace indoor main PCB when HAP LED is not blinking in regular intervals.

More info:

Check procedures	Replacing procedures
"Refrigerant thermistors" on page 58	

2.2.1.7. "C7-00" – Front panel open/close fault

Trigger	Effect	Reset
Shutter limit switch not activated or faulty.	Unit will stop operating when error occurs 2 times.	Power reset via outdoor unit.

Possible cause	Check	Corrective action
Foreign substance in the blow port.	Check blow port for foreign material.	Remove foreign material when required.
Faulty shutter limit switch.	Check the limit switch continuity.	Replace the limit switch when continuity is not good.
Faulty wire harness.	Check the wire harness wiring. Check the wire harness connection.	Reconnect wire harness when required. Perform a power reset, if shutter valve does not close after power reset, replace wire harness.
Faulty shutter motor.	Check if motor operates after opening the shutter and power reset.	Replace indoor unit main PCB when required.
Faulty shutter sealing.	Check if shutter goes back open automatically after closing.	Replace sealing material when required.
Shutter is deformed.	Check if the error is still active after closing the shutter.	Replace shutter panel when required.

2.2.1.8. "C9-00" – Suction air thermistor abnormality

Trigger	Effect	Reset
Resistance value is out of range. T measured < -43.6°C or > 90°C.	Unit will stop operating.	Automatic reset when resistance is within range.

Possible cause	Check	Corrective action
Faulty suction air thermistor.	Check suction air thermistor.	Replace suction air thermistor when required.
Faulty indoor PCB.	Check if error still occurs after turning off power and turning it back on again. Check if the indoor PCB receives power. Check if the HAP LED is blinking in regular intervals. Check if the correct spare part is installed. Check the wiring to indoor PCB.	Adjust power to the indoor PCB. Replace indoor PCB when HAP LED is not blinking in regular intervals. Install correct spare part or update indoor PCB. Adjust wiring to indoor PCB when required.

More info:

Check procedures	Replacing procedures
"Refrigerant thermistors" on page 58	

2.2.1.9. "CH-00" – Abnormality of refrigerant leakage sensor (only for FVXM-F model)

Trigger	Effect	Reset
Sensor error.	Unit will stop operating. Buzzer will beep.	See corrective action.

Possible cause	Check	Corrective action
Sensor error.	Check if connection and wiring of sensor to PCB is OK.	Correct the wiring connection or repair the wiring.
Broken sensor.	If all the wiring is OK but the error still exists then is the sensor not OK.	Replace sensor.

More info:

Check procedures	Replacing procedures
	"Replacing R32 sensor (only for FVXM-F model)" on page 67
"How to clear error codes" on page 17	

2.2.1.10. "UH-00" – Anti-icing function in other room(s)

Trigger	Effect	Reset
A wrong connection is detected by checking the combination of the indoor and outdoor unit on the CPU	Operation halt due to freeze up prevention in other room/unspecified internal or external voltages/mismatch indoor and outdoor units	Auto reset after freeze up prevention is finished. Unit cannot restart before mismatch is removed.

Possible cause	Check	Corrective action
Freeze up prevention in other room.	Indoor fan is not operating while the error is displayed.	See error A5.
Mismatch of outdoor-indoor units.	Verify connection on combination data-base.	Replace indoor units when required.
Unspecified voltages.	Check supply voltage.	Adjust when required.

2.2.2. Outdoor unit

2.2.2.1. “E1-00” – Outdoor unit PCB abnormality

Trigger	Effect	Reset
Outdoor main PCB detects that EEPROM is abnormal.	Unit will stop operating.	Manual reset via user interface. Power reset via outdoor unit.

Possible cause	Check	Corrective action
Faulty outdoor unit main PCB.	Check if the HAP LED is blinking in regular intervals. Check if the correct spare part is installed. Check if the outdoor main PCB receives power.	Restore the power to the outdoor main PCB. Replace outdoor main PCB when HAP LED is not blinking in regular intervals.
Faulty capacity adapter on outdoor main PCB installed.	Check if the correct capacity adapter is used.	Replace capacity adapter when required.
External factor (e.g. electrical noise) (cause when error is reset after power reset, and error happens again after a while).	Check for source which could cause electrical interference.	Avoid electrical interference.
Faulty outdoor fan motor.	Check the fan motor. Check fan motor connections and wiring.	Replace fan motor when required. Adjust wiring when required.
Faulty or disturbance of the power supply (imbalance > 10%). Power drop. Short circuit.	Check if the power supply is conform with regulations. No fluctuations in frequency.	Adjust power supply when required. Power reset via outdoor unit.

2.2.2.2. “E3-00” – Discharge pressure abnormality

Trigger	Effect	Reset
Discharge pressure above 4.15 MPa.	Unit will stop operating.	Automatic reset when high pressure drops below 3.2 MPa.

Possible cause	Check	Corrective action
Stop valve is closed.	Check stop valve.	Open stop valve when required.
Blocked heat exchangers.	Are the heat exchangers clean?	Clean heat exchangers.
Insufficient airflow.	Are the fans operating?	Repair fan.
Non condensables in refrigerant.	Check for non condensables in refrigerant.	In case of suspicion of non condensables, recover, vacuum and recharge with virgin refrigerant.
Disconnected HPS wire harness terminal on the PCB.	Verify connection wire harness terminal on PCB.	Reconnect the terminal.
Disconnected HPS wire harness terminal on the HPS.	Verify connection wire harness terminal on HPS.	Reconnect the terminal(s).
Defective outdoor PCB.	Verify resistance of the wire harness terminal on the outdoor PCB.	If nearly 0 Ohm, replace outdoor PCB.
Broken high pressure sensor wire harness.	Verify resistance of the wire harness.	If resistance = infinity, replace wire harness.
Defective high pressure switch.	Check the resistance of the high pressure switch.	If resistance = infinity, replace high pressure switch.

2.2.2.3. "E5-00" – Compressor motor lock or overheated

Trigger	Effect	Reset
Compressor overload is detected.	Unit will stop operating.	Automatic reset if the unit runs for 60 seconds without error.

Possible cause	Check	Corrective action
Faulty discharge pipe thermistor.	Check discharge pipe thermistor.	Replace discharge pipe thermistor when required.
Faulty outdoor fan motor.	Check the fan motor. Check fan motor connections and wiring.	Replace fan motor when required. Adjust wiring when required.
Faulty overload protection.	Check the overload protection. Check the overload protection connections and wiring.	Replace the overload protection when required. Adjust wiring when required.
Faulty expansion valve.	Check the expansion valve.	Replace the expansion valve body or motor when required.
Faulty 4-way valve.	Check the 4-way valve.	Replace the 4-way valve coil or body when required.
Faulty outdoor unit main PCB.	Check if the HAP LED is blinking in regular intervals. Check if the correct spare part is installed. Check if the outdoor main PCB receives power.	Restore the power to the outdoor main PCB. Replace outdoor main PCB when HAP LED is not blinking in regular intervals.
Faulty power module = faulty outdoor inverter PCB.	Check outdoor inverter PCB. Check if the HAP LED is blinking in regular intervals. Check if the correct spare part is installed.	Restore the power to the outdoor inverter PCB. Replace the outdoor inverter PCB when required.
Refrigerant shortage.	Check for refrigerant shortage. Refer to the nameplate for the correct charge.	Charge the correct refrigerant amount when required.
Humidity in refrigerant (ice formation in expansion valve).	Check for humidity in the refrigerant.	In case of suspicion of humidity, recover, vacuum and recharge with virgin refrigerant.
Non condensables in refrigerant.	Check for non condensables in refrigerant.	In case of suspicion of non condensables, recover, vacuum and recharge with virgin refrigerant.
Stop valve is closed.	Check stop valve.	Open stop valve when required.

2.2.2.4. "E6-00" – Compressor motor lock

Trigger	Effect	Reset
The motor rotor does not rotate when the compressor is energized.	Unit will not stop operating.	Automatic reset after a continuous run for about 10 min.
	Unit will stop operating.	Manual reset via user interface.

Possible cause	Check	Corrective action
Faulty discharge thermistor.	Check the discharge thermistor.	Replace discharge thermistor when required.
Refrigerant shortage.	Check for refrigerant shortage. Refer to the nameplate for the correct charge.	Charge the correct refrigerant amount when required.
Humidity in refrigerant (ice formation in expansion valve).	Check for humidity in the refrigerant.	In case of suspicion of humidity, recover, vacuum and recharge with virgin refrigerant.

Possible cause	Check	Corrective action
Non condensables in refrigerant.	Check for non condensables in refrigerant.	In case of suspicion of non condensables, recover, vacuum and recharge with virgin refrigerant.
Stop valve is closed.	Check stop valve.	Open stop valve when required.
Refrigerant circuit is clogged (HP - LP > 0,26 MPa).	Check for possible blockage (blockages can be checked by measuring the refrigerant/pipe temperature. Sudden drop in temperature could indicate a blockage (remark: this is not valid for the expansion valve)).	Replace the blocked part.
Faulty compressor.	Check compressor. Check connections and wiring of the compressor. Check expansion valve (liquid back issue). Check the refrigerant charge. Refer to the nameplate for correct charge.	Replace compressor when required. Investigate reason of breakdown. Replace expansion valve when required. Fix possible leak.
Compressor turned off too fast.		Wait for guard timer.
Faulty outdoor unit main PCB.	Check if the HAP LED is blinking in regular intervals. Check if the correct spare part is installed. Check if the outdoor main PCB receives power.	Restore the power to the outdoor main PCB. Replace outdoor main PCB when HAP LED is not blinking in regular intervals.
Faulty outdoor inverter PCB.	Check outdoor inverter PCB. Check if the HAP LED is blinking in regular intervals. Check if the correct spare part is installed.	Restore the power to the outdoor inverter PCB. Replace the outdoor inverter PCB when required.
Faulty 4-way valve.	Check the 4-way valve.	Replace the 4-way valve coil or body when required.
Faulty expansion valve.	Check the expansion valve.	Replace the expansion valve body or motor when required.

2.2.2.5. "E7-00" – Fan motor abnormality

Trigger	Effect	Reset
Fan does not start in about 15~30 seconds = fan motor lock. It can occur that E7-00 error is triggered even when the fan motor is running caused by a faulty hall signal.	Unit will not stop operating.	Automatic reset after a continuous run.
	Unit will stop operating.	Manual reset via user interface.

Possible cause	Check	Corrective action
Faulty outdoor fan motor.	Check the fan motor. Check fan motor connections and wiring.	Replace fan motor when required. Adjust wiring when required.
Faulty outdoor inverter PCB.	Check outdoor inverter PCB. Check if the HAP LED is blinking in regular intervals. Check if the correct spare part is installed.	Restore the power to the outdoor inverter PCB. Replace the outdoor inverter PCB when required.
Blown fuse.	Check the fuse on the outdoor unit PCB's.	Replace fuse when required.

2.2.2.6. "E8-00" – Compressor overcurrent detection

Trigger	Effect	Reset
When the compressor is running the current exceeds 9.25 A ~ 20 A (depending on the unit) for 2.5 seconds.	Unit will stop operating.	Manual reset via user interface.

Possible cause	Check	Corrective action
Outdoor temperature is out of operation range.	Check the outdoor temperature.	Wait until the temperature is within operation range.
Faulty compressor.	Check compressor. Check connections and wiring of the compressor. Check expansion valve (liquid back issue). Check the refrigerant charge. Refer to the nameplate for correct charge.	Replace compressor when required. Investigate reason of breakdown. Replace expansion valve when required. Fix possible leak.
Faulty power module. = Faulty inverter PCB.	Check outdoor inverter PCB. Check if the HAP LED is blinking in regular intervals. Check if the correct spare part is installed.	Restore the power to the outdoor inverter PCB. Replace the outdoor inverter PCB when required.
Faulty or disturbance of the power supply (imbalance > 10%). Power drop. Short circuit.	Check if the power supply is conform with regulations. No fluctuations in frequency.	Adjust power supply when required. Power reset via outdoor unit.

2.2.2.7. "EA-00" – 4-way valve abnormality

Trigger	Effect	Reset
The room thermistor / indoor heat exchanger are not functioning within operation range.	Unit will not stop operating.	Automatic reset when unit runs without error for 60 minutes.
	Unit will stop operating.	Manual reset via user interface.

Possible cause	Check	Corrective action
Faulty 4-way valve coil.	Check 4-way valve coil.	Replace 4-way valve coil when required.
Faulty 4-way valve body, blocked.	Check 4-way valve body.	Replace 4-way valve body when required.
Faulty outdoor unit main PCB.	Check if the HAP LED is blinking in regular intervals. Check if the correct spare part is installed. Check if the outdoor main PCB receives power.	Restore the power to the outdoor main PCB. Replace outdoor main PCB when HAP LED is not blinking in regular intervals.
Faulty room thermistor.	Check room thermistor.	Replace room thermistor when required.
Faulty indoor heat exchanger thermistor.	Check indoor heat exchanger thermistor.	Replace indoor heat exchanger thermistor when required.
Refrigerant shortage.	Check for refrigerant shortage. Refer to the nameplate for the correct charge.	Charge the correct refrigerant amount when required.
Humidity in refrigerant (ice formation in expansion valve).	Check for humidity in the refrigerant.	In case of suspicion of humidity, recover, vacuum and recharge with virgin refrigerant.
Non condensables in refrigerant.	Check for non condensables in refrigerant.	In case of suspicion of non condensables, recover, vacuum and recharge with virgin refrigerant.
Stop valve is closed.	Check stop valve.	Open stop valve when required.
Faulty stop valve.	Check the stop valve.	Replace the stop valve when required.

Possible cause	Check	Corrective action
Wrong combination hybrid and outdoor unit.	Check if correct hybrid is installed.	Make official combination hybrid and outdoor unit.

2.2.2.8. "F3-00" – Discharge pipe temperature abnormality

Trigger	Effect	Reset
Discharge temperature is too high: <ul style="list-style-type: none"> If the discharge temperature detected is above A°C, 10 times within 200 min. If within 200 min the discharge temperature detected is 10 times above B°C for 15 min. 	Unit will not stop operating.	Automatic reset when temperature drops below C°C.
	Unit will stop operating.	Manual reset via remote controller.

Possible cause	Check	Corrective action
Refrigerant shortage.	Check for refrigerant shortage. Refer to the nameplate for the correct charge.	Charge the correct refrigerant amount when required.
Humidity in refrigerant (ice formation in expansion valve).	Check for humidity in the refrigerant.	In case of suspicion of humidity, recover, vacuum and recharge with virgin refrigerant.
Non condensables in refrigerant.	Check for non condensables in refrigerant.	In case of suspicion of non condensables, recover, vacuum and recharge with virgin refrigerant.
Stop valve is closed.	Check if stop valve is open.	Open stop valve when required.
Faulty 4-way valve.	Check the 4-way valve.	Replace the 4-way valve coil or body when required.
Faulty expansion valve.	Check the expansion valve.	Replace the expansion valve body or motor when required.
Faulty outdoor unit main PCB.	Check if the HAP LED is blinking in regular intervals. Check if the correct spare part is installed. Check if the outdoor main PCB receives power.	Restore the power to the outdoor main PCB. Replace outdoor main PCB when HAP LED is not blinking in regular intervals.
Faulty discharge thermistor.	Check discharge thermistor.	Replace discharge thermistor when required.
Faulty heat exchanger thermistor.	Check heat exchanger thermistor.	Replace heat exchanger thermistor when required.
Faulty outdoor temperature thermistor.	Check outdoor temperature thermistor.	Replace outdoor temperature thermistor when required.

2.2.2.9. "F6-00" – High pressure abnormality or refrigerant overcharge

Trigger	Effect	Reset
Outdoor heat exchanger thermistor measures temperature > 60°C~65°C (depending on model).	Unit will not stop operating.	Automatic reset when temperature drops below 50°C.

Possible cause	Check	Corrective action
Installation space is too small.	Check if the installation space is in line with regulations.	Adjust installation space.
Dirty outdoor heat exchanger.		Clean the outdoor heat exchanger.
Faulty outdoor fan motor.	Check the fan motor.	Replace fan motor when required.
	Check fan motor connections and wiring.	Adjust wiring when required.

Possible cause	Check	Corrective action
Faulty stop valve.	Check the stop valve.	Replace the stop valve when required.
Faulty heat exchanger thermistor.	Check heat exchanger thermistor.	Replace heat exchanger thermistor when required.
Faulty expansion valve.	Check the expansion valve.	Replace the expansion valve body or motor when required.
Faulty outdoor unit main PCB.	Check if the HAP LED is blinking in regular intervals. Check if the correct spare part is installed. Check if the outdoor main PCB receives power.	Restore the power to the outdoor main PCB. Replace outdoor main PCB when HAP LED is not blinking in regular intervals.

2.2.2.10. "F8-00" – System shutdown due to compressor internal temperature abnormality

Trigger	Effect	Reset
Temperature discharge pipe thermistor exceeds the determined limit.	Unit will stop operating.	Manual reset via user interface.

Possible cause	Check	Corrective action
Stop valve is closed.	Check stop valve.	Open stop valve fully when required.
Refrigerant circuit is clogged	Check for possible blockage (blockages can be checked by measuring the refrigerant/pipe temperature. Sudden drop in temperature could indicate a blockage (remark: this is not valid for the expansion valve)).	Replace the blocked part.
Humidity in refrigerant.	Check for humidity in the refrigerant.	In case of suspicion of humidity, recover, vacuum and recharge with virgin refrigerant.
Non condensables in refrigerant.	Check for non condensables in refrigerant.	In case of suspicion of non condensables, recover, vacuum and recharge with virgin refrigerant.
Leaking refrigerant.	Check if there is a leakage on the refrigerant circuit	Charge the correct refrigerant amount when required.

2.2.2.11. "H0-00" – Compressor sensor system abnormality

Trigger	Effect	Reset
DC voltage before compressor start-up is out of range (0.5~4.5 V).	Unit will stop operating.	Manual reset via user interface.
DC voltage before compressor start-up is below 50 V.	Unit will stop operating.	Manual reset via user interface.

Possible cause	Check	Corrective action
Faulty outdoor unit main PCB.	Check if the HAP LED is blinking in regular intervals. Check if the correct spare part is installed. Check if the outdoor main PCB receives power.	Restore the power to the outdoor main PCB. Replace outdoor main PCB when HAP LED is not blinking in regular intervals.
Faulty outdoor inverter PCB.	Check outdoor inverter PCB. Check if the HAP LED is blinking in regular intervals. Check if the correct spare part is installed.	Restore the power to the outdoor inverter PCB. Replace the outdoor inverter PCB when required.

Possible cause	Check	Corrective action
Faulty connection or wiring of the PCB's.	Check the connections and the wiring of the PCB's.	Adjust connection or wiring when required.
Faulty or disturbance of the power supply (imbalance > 10%). Power drop. Short circuit.	Check if the power supply is conform with regulations. No fluctuations in frequency.	Adjust power supply when required. Power reset via outdoor unit.

2.2.2.12. "H6-00" – Position detection sensor abnormality

Trigger	Effect	Reset
Compressor fails to start within 15 seconds after the compressor run command signal is sent.	Unit will not stop operating.	Automatic reset after a continuous run of 10 minutes.
	Unit will stop operating if the warning occurs 8 times.	Manual reset via remote controller.

Possible cause	Check	Corrective action
Faulty compressor.	Check compressor. Check connections and wiring of the compressor. Check expansion valve (liquid back issue). Check the refrigerant charge. Refer to the nameplate for correct charge.	Replace compressor when required. Investigate reason of breakdown. Replace expansion valve when required. Fix possible leak.
Faulty outdoor unit main PCB.	Check if the HAP LED is blinking in regular intervals. Check if the correct spare part is installed. Check if the outdoor main PCB receives power.	Restore the power to the outdoor main PCB. Replace outdoor main PCB when HAP LED is not blinking in regular intervals.
Faulty outdoor inverter PCB.	Check outdoor inverter PCB. Check if the HAP LED is blinking in regular intervals. Check if the correct spare part is installed.	Restore the power to the outdoor inverter PCB. Replace the outdoor inverter PCB when required.
Stop valve is closed.	Check stop valve.	Open stop valve when required.
Faulty or disturbance of the power supply (imbalance > 10%). Power drop. Short circuit.	Check if the power supply is conform with regulations. No fluctuations in frequency.	Adjust power supply when required. Power reset via outdoor unit.

2.2.2.13. "H8-00" – Compressor input (CT) system abnormality

Trigger	Effect	Reset
DC voltage or DC current sensor abnormality based on the compressor running frequency and the input current.	Unit will not stop operating.	Automatic reset when compressor runs normally for 60 minutes.
	Unit will stop operating if the warning occurs several times.	Manual reset via user interface.

Possible cause	Check	Corrective action
Faulty outdoor unit main PCB.	Check if the HAP LED is blinking in regular intervals. Check if the correct spare part is installed. Check if the outdoor main PCB receives power.	Restore the power to the outdoor main PCB. Replace outdoor main PCB when HAP LED is not blinking in regular intervals.

Possible cause	Check	Corrective action
Faulty power module. Input current or compressor current too low. Faulty outdoor inverter PCB.	Check outdoor inverter PCB. Check if the HAP LED is blinking in regular intervals. Check if the correct spare part is installed.	Restore the power to the outdoor inverter PCB. Replace the outdoor inverter PCB when required.
Faulty compressor.	Check compressor. Check connections and wiring of the compressor. Check expansion valve (liquid back issue). Check the refrigerant charge. Refer to the nameplate for correct charge.	Replace compressor when required. Investigate reason of breakdown. Replace expansion valve when required. Fix possible leak.
Faulty reactor.	Check reactor.	Replace reactor when required.

2.2.2.14. "H9-00" – Outdoor air temperature thermistor abnormality

Trigger	Effect	Reset
Thermistor input voltage is > 4.96 V or < 0.04 V when power is on.	Unit will stop operating.	Manual reset via user interface.

Possible cause	Check	Corrective action
Faulty outdoor air temperature thermistor.	Check outdoor temperature thermistor.	Replace outdoor temperature thermistor when required.
Faulty outdoor unit main PCB.	Check if the HAP LED is blinking in regular intervals. Check if the correct spare part is installed. Check if the outdoor main PCB receives power.	Restore the power to the outdoor main PCB. Replace outdoor main PCB when HAP LED is not blinking in regular intervals.

2.2.2.15. "J3-00" – Discharge pipe thermistor abnormality

Trigger	Effect	Reset
Thermistor input voltage is > 4.96 V or < 0.04 V when power is on.	Unit will stop operating.	Manual reset via user interface.
Discharge pipe temperature is lower than the heat exchanger temperature.		

Possible cause	Check	Corrective action
Faulty discharge pipe thermistor.	Check discharge pipe thermistor.	Replace discharge pipe thermistor when required.
Faulty outdoor unit main PCB.	Check if the HAP LED is blinking in regular intervals. Check if the correct spare part is installed. Check if the outdoor main PCB receives power.	Restore the power to the outdoor main PCB. Replace outdoor main PCB when HAP LED is not blinking in regular intervals.

2.2.2.16. "J6-00" – Outdoor heat exchanger thermistor abnormality

Trigger	Effect	Reset
Thermistor input voltage is > 4.96 V or < 0.04 V when power is on.	Unit will stop operating.	Manual reset via user interface.

Possible cause	Check	Corrective action
Faulty heat exchanger thermistor.	Check heat exchanger thermistor.	Replace heat exchanger thermistor when required.
Faulty outdoor unit main PCB.	Check if the HAP LED is blinking in regular intervals. Check if the correct spare part is installed. Check if the outdoor main PCB receives power.	Restore the power to the outdoor main PCB. Replace outdoor main PCB when HAP LED is not blinking in regular intervals.

More info:

Check procedures	Replacing procedures
"Refrigerant thermistors" on page 58	"Replacing thermistors" on page 87
"Main PCB" on page 57	"Replacing main PCB" on page 85

2.2.2.17. "J8-00" – Liquid pipe thermistor abnormality

Trigger	Effect	Reset
Liquid pipe thermistor detects an abnormal value (open or short circuit).	Unit will stop operating.	Automatic reset.

Possible cause	Check	Corrective action
Faulty outdoor unit main PCB.	Check if the HAP LED is blinking in regular intervals. Check if the correct spare part is installed. Check if the outdoor main PCB receives power.	Adjust the power to the outdoor main PCB. Replace outdoor main PCB when HAP LED is not blinking in regular intervals.
Faulty liquid pipe thermistor.	Check liquid pipe thermistor.	Replace liquid pipe thermistor when required.
Faulty capacity adapter on outdoor PCB.	Check if the correct adapter is installed. Check if the correct spare part is installed.	Adjust capacity adapter when required.

More info:

Check procedures	Replacing procedures
"Main PCB" on page 57	"Replacing main PCB" on page 85
"Refrigerant thermistors" on page 58	"Replacing thermistors" on page 87

2.2.2.18. "J9-00" – Gas pipe thermistor abnormality

Trigger	Effect	Reset
Thermistor input voltage is > 4.96 V or < 0.04 V when power is on.	Unit will stop operating.	Manual reset via user interface.
Discharge pipe temperature is lower than the heat exchanger temperature.		

Possible cause	Check	Corrective action
Faulty discharge pipe thermistor.	Check discharge pipe thermistor.	Replace discharge pipe thermistor when required.

Possible cause	Check	Corrective action
Faulty outdoor unit main PCB.	Check if the HAP LED is blinking in regular intervals. Check if the correct spare part is installed. Check if the outdoor main PCB receives power.	Restore the power to the outdoor main PCB. Replace outdoor main PCB when HAP LED is not blinking in regular intervals.

More info:

Check procedures	Replacing procedures
"Refrigerant thermistors" on page 58	"Replacing thermistors" on page 87
"Main PCB" on page 57	"Replacing main PCB" on page 85

2.2.2.19. "L1-00" – Outdoor main PCB abnormality

Trigger	Effect	Reset
Outdoor main PCB detects current/voltage errors.	Unit will stop operating.	Manual reset via user interface. Power reset via outdoor unit.

Possible cause	Check	Corrective action
Blown fuse.	Check fuse on outdoor main PCB.	Replace fuse if blown.
Faulty outdoor unit main PCB.	Check if the HAP LED is blinking in regular intervals. Check if the correct spare part is installed. Check if the outdoor main PCB receives power.	Adjust the power to the outdoor main PCB. Replace outdoor main PCB when HAP LED is not blinking in regular intervals.
Faulty outdoor inverter PCB.	Check outdoor inverter PCB. Check if the alive led is blinking in regular intervals. Check if the correct spare part is installed.	Adjust the power to the outdoor inverter PCB. Replace outdoor inverter PCB.
Faulty compressor.	Check compressor. Check connections and wiring of the compressor. Check expansion valve (liquid back issue). Check the refrigerant charge. Refer to the nameplate for correct charge.	Replace compressor when required. Investigate reason of breakdown. Replace expansion valve when required. Fix possible leak.
Faulty or disturbance of the power supply (imbalance > 10%). Power drop. Short circuit.	Check if the power supply is conform with regulations. No fluctuations in frequency.	Adjust power supply when required. Power reset via outdoor unit.
Faulty outdoor fan motor.	Check the fan motor. Check fan motor connections and wiring.	Replace fan motor when required. Adjust wiring when required.
Faulty capacity adapter on outdoor PCB.	Check if the correct adapter is installed. Check if the correct spare part is installed.	Adjust capacity adapter when required.
External factory (e.g. electrical noise). (cause when error is reset after power reset, and error happens again after a while).	Check for source which could cause electrical interference.	Avoid electrical interference.

More info:

Check procedures	Replacing procedures
"Main PCB" on page 57	"Replacing main PCB" on page 85
"Compressor" on page 53	"Replacing compressor" on page 77
"Electronic expansion valve" on page 55	"Replacing expansion valve body" on page 82


Check procedures	Replacing procedures
"Fan motor" on page 57	"Replacing DC fan motor assembly" on page 80

2.2.2.20. "L3-00" – Switch box temperature abnormality

Trigger	Effect	Reset
Switch box temperature is too high when the compressor is off.	Unit will not stop operating.	Automatic reset when temperature drops.
	Unit will stop operating.	Manual reset via remote controller.

Possible cause	Check	Corrective action
Faulty outdoor inverter PCB.	Check outdoor inverter PCB.	Restore the power to the outdoor inverter PCB.
Faulty radiation fin thermistor.	Check if the HAP LED is blinking in regular intervals. Check if the correct spare part is installed.	Replace the outdoor inverter PCB when required.
Faulty outdoor fan motor.	Check the fan motor. Check fan motor connections and wiring.	Replace fan motor when required. Adjust wiring when required.
Faulty or disturbance of the power supply (imbalance > 10%). Power drop. Short circuit.	Check if the power supply is conform with regulations. No fluctuations in frequency.	Adjust power supply when required. Power reset via outdoor unit.
Outdoor heat exchanger is dirty.	Check outdoor heat exchanger.	Clean outdoor heat exchanger when required.

More info:

	INFORMATION The Inverter PCB and Main PCB are 1 PCB in this unit.
---	---

Check procedures	Replacing procedures
"Main PCB" on page 57	"Replacing main PCB" on page 85
"Fan motor" on page 57	"Replacing DC fan motor assembly" on page 80
""L3-00" – Switch box temperature abnormality" on page 129	

2.2.2.21. "L4-00" – Inverter radiating fin temperature abnormality

Trigger	Effect	Reset
Radiation fin temperature rise is detected.	Unit will stop operating.	Automatic reset. Power reset via outdoor unit.

Possible cause	Check	Corrective action
Faulty outdoor fan motor.	Check the fan motor. Check fan motor connections and wiring.	Replace fan motor when required. Adjust wiring when required.
Faulty or disturbance of the power supply (imbalance > 10%). Power drop. Short circuit.	Check if the power supply is conform with regulations. No fluctuations in frequency.	Adjust power supply when required. Power reset via outdoor unit.
Faulty radiating fin thermistor.	Check radiating fin thermistor.	Replace radiating fin thermistor when required.
Faulty outdoor unit PCB in which radiating fin thermistor is connected.	Check if the HAP LED is blinking in regular intervals. Check if the correct spare part is installed. Check if the outdoor main PCB receives power.	Restore the power to the outdoor main PCB. Replace outdoor main PCB when HAP LED is not blinking in regular intervals.

Possible cause	Check	Corrective action
Silicon grease is not applied properly on the radiation fin.	Check the silicon grease on the outdoor unit PCB.	Adjust silicon grease when required.

More info:


Check procedures	Replacing procedures
"Fan motor" on page 57	"Replacing DC fan motor assembly" on page 80
"Refrigerant thermistors" on page 58	"Replacing thermistors" on page 87
"Main PCB" on page 57	"Replacing main PCB" on page 85
""L4-00" – Inverter radiating fin temperature abnormality" on page 129	

2.2.2.22. "L5-00" – Inverter instantaneous overcurrent (AC output)

Trigger	Effect	Reset
An output overcurrent is detected by checking the current that flows in the inverter DC section.	Unit will stop operating.	Manual reset via user interface.

Possible cause	Check	Corrective action
Installation of the unit is not in line with specifications.	Check the installation specifications. Refer to the installation manual.	Adjust the installation when required.
Refrigerant shortage.	Check for refrigerant shortage. Refer to the nameplate for the correct charge.	Charge the correct refrigerant amount when required.
Humidity in refrigerant (ice formation in expansion valve).	Check for humidity in the refrigerant.	In case of suspicion of humidity, recover, vacuum and recharge with virgin refrigerant.
Non condensables in refrigerant.	Check for non condensables in refrigerant.	In case of suspicion of non condensables, recover, vacuum and recharge with virgin refrigerant.
Stop valve is closed.	Check stop valve.	Open stop valve when required.
Faulty power module = faulty outdoor inverter PCB.	Check outdoor inverter PCB. Check if the HAP LED is blinking in regular intervals. Check if the correct spare part is installed.	Restore the power to the outdoor inverter PCB. Replace the outdoor inverter PCB when required.
Faulty compressor.	Check compressor. Check connections and wiring of the compressor. Check expansion valve (liquid back issue). Check the refrigerant charge. Refer to the nameplate for correct charge.	Replace compressor when required. Investigate reason of breakdown. Replace expansion valve when required. Fix possible leak.
Faulty or disturbance of the power supply (imbalance > 10%). Power drop. Short circuit.	Check if the power supply is conform with regulations. No fluctuations in frequency.	Adjust power supply when required. Power reset via outdoor unit.

More info:

	<p>INFORMATION</p> <p>The Inverter PCB and Main PCB are 1 PCB in this unit.</p>
---	--

Check procedures	Replacing procedures
"Main PCB" on page 57	"Replacing main PCB" on page 85
"Compressor" on page 53	"Replacing compressor" on page 77
"Electronic expansion valve" on page 55	"Replacing expansion valve body" on page 82

2.2.2.23. "P4-00" – Radiating fin temperature sensor abnormality

Trigger	Effect	Reset
Radiating fin thermistor input voltage is < 0.04 V or > 4.96 V when power is on.	Unit will stop operating.	Manual reset via user interface.

Possible cause	Check	Corrective action
Faulty radiating fin thermistor.	Check radiating fin thermistor.	Replace radiating fin thermistor when required.
Faulty outdoor unit PCB in which radiating fin thermistor is connected.	Check if the HAP LED is blinking in regular intervals. Check if the correct spare part is installed. Check if the outdoor main PCB receives power.	Restore the power to the outdoor main PCB. Replace outdoor main PCB when HAP LED is not blinking in regular intervals.

More info:

Check procedures	Replacing procedures
"Refrigerant thermistors" on page 58	"Replacing thermistors" on page 87
"Main PCB" on page 57	"Replacing main PCB" on page 85

2.2.3. System

2.2.3.1. "U0-00" – Refrigerant shortage

Trigger	Effect	Reset
Refrigerant shortage detected.	Unit will stop operating.	Automatic reset. Power reset via outdoor unit.

Possible cause	Check	Corrective action
Faulty air thermistor.	Check air thermistor.	Replace air thermistor when required.
Faulty discharge thermistor.	Check discharge thermistor.	Replace discharge thermistor when required.
Faulty outdoor heat exchanger thermistor.	Check outdoor heat exchanger thermistor.	Replace outdoor heat exchanger thermistor when required.
Stop valve is closed.	Check stop valve.	Open stop valve when required.
Refrigerant shortage.	Check for refrigerant shortage. Refer to the nameplate for the correct charge.	Charge the correct refrigerant amount when required.
Humidity in refrigerant (ice formation in expansion valve).	Check for humidity in the refrigerant.	In case of suspicion of humidity, recover, vacuum and recharge with virgin refrigerant.
Non condensables in refrigerant.	Check for non condensables in refrigerant.	In case of suspicion of non condensables, recover, vacuum and recharge with virgin refrigerant.
Faulty compressor.	Check compressor. Check connections and wiring of the compressor. Check expansion valve (liquid back issue). Check the refrigerant charge. Refer to the nameplate for the correct charge.	Replace compressor when required. Investigate reason of breakdown. Replace expansion valve when required. Fix possible leak.
Faulty expansion valve.	Check the expansion valve.	Replace the expansion valve body or motor when required.

More info:

Check procedures	Replacing procedures
"Refrigerant thermistors" on page 58	
"Compressor" on page 53	"Replacing compressor" on page 77
"Electronic expansion valve" on page 55	"Replacing expansion valve body" on page 82 "Replacing expansion valve motor" on page 83
"Error codes" on page 129	

2.2.3.2. "U2-00" – Power supply abnormality or instantaneous power failure

Trigger	Effect	Reset
There is no zero-cross detected in approximately 10 seconds (indoor unit PCB).	Unit will stop operating.	Power reset via outdoor unit.
Abnormal voltage drop (< 150-180 V) is detected by the DC voltage detection circuit.	Unit will stop operating.	Automatic restart after compressor stand-by of 3 minutes.
Abnormal voltage rise is detected by the over-voltage detection circuit.	Unit will stop operating.	Automatic restart after compressor stand-by of 3 minutes.

Possible cause	Check	Corrective action
Faulty or disturbance of the power supply (imbalance > 10%). Power drop. Short circuit.	Check if the power supply is conform with regulations. No fluctuations in frequency.	Adjust power supply when required. Power reset via outdoor unit.
Defective DC voltage detection circuit.	Check PCB with DC voltage detection circuit.	Replace PCB when required.
Defective over-voltage detection circuit.	Check PCB with over-voltage detection circuit.	Replace PCB when required.
Defective PAM control part.	Check PAM control part.	Replace PAM control part when required.
Faulty compressor.	Check compressor. Check connections and wiring of the compressor. Check expansion valve (liquid back issue). Check the refrigerant charge. Refer to the nameplate for correct charge.	Replace compressor when required. Investigate reason of breakdown. Replace expansion valve when required. Fix possible leak.
Faulty outdoor fan motor.	Check the fan motor. Check fan motor connections and wiring.	Replace fan motor when required. Adjust wiring when required.
Momentary drop of voltage.	-	Wait until compressor restarts.
Momentary power failure.	-	Wait until compressor restarts.
Faulty outdoor unit main PCB.	Check if the HAP LED is blinking in regular intervals. Check if the correct spare part is installed. Check if the outdoor main PCB receives power.	Restore the power to the outdoor main PCB. Replace outdoor main PCB when HAP LED is not blinking in regular intervals.
Faulty indoor unit main PCB.	Check if the HAP LED is blinking in regular intervals. Check if the correct spare part is installed. Check if the indoor main PCB receives power.	Restore the power to the indoor main PCB. Replace indoor main PCB when HAP LED is not blinking in regular intervals.

More info:

Check procedures	Replacing procedures
"Compressor" on page 53	"Replacing compressor" on page 77
"Electronic expansion valve" on page 55	"Replacing expansion valve body" on page 82
"Fan motor" on page 57	"Replacing DC fan motor assembly" on page 80
"Main PCB" on page 57	"Replacing main PCB" on page 85

2.2.3.3. "U3-00" – Check operation not executed or transmission error

Trigger	Effect	Reset
Failed wiring error check operation. Wiring issue between indoor and outdoor.	Unit will not start to run.	To reset the error code: push SW3 (wiring error check switch) for 10 seconds. For more information, see installation manual "wiring error check".

Possible cause	Check	Corrective action
Stopped operation before finishing wiring check operation.	Measure the voltage at the primary side of the safety breaker. Check that all liquid and gas valves are fully open. Check piping & wiring match.	Reset error code and restart wiring error check procedure.

Possible cause	Check	Corrective action
No self-correction possible.	Outdoor temperature below 5°C.	Check wiring and piping in the usual manner.
More than 3 wrong connections.	Check piping & wiring match.	Check wiring and piping in the usual manner.
No correct wiring.	Check piping & wiring match.	Correct wiring.

2.2.3.4. "U4-00" – Transmission abnormality between indoor unit and outdoor unit

Trigger	Effect	Reset
Data sent from outdoor unit cannot be received normally, content of the send data is abnormal.	Unit will stop operating.	Power reset via outdoor unit.

Possible cause	Check	Corrective action
Faulty or disturbance of the power supply (imbalance > 10%). Power drop. Short circuit.	Check if the power supply is conform with regulations. No fluctuations in frequency.	Adjust power supply when required. Power reset via outdoor unit.
Wiring abnormality between indoor unit and outdoor unit.	Check wiring between indoor unit and outdoor unit.	Adjust wiring between indoor unit and outdoor unit when required. Replace wiring between indoor unit and outdoor unit when required.
Faulty outdoor unit main PCB.	Check if the HAP LED is blinking in regular intervals. Check if the correct spare part is installed. Check if the outdoor main PCB receives power.	Restore the power to the outdoor main PCB. Replace outdoor main PCB when HAP LED is not blinking in regular intervals.
Faulty outdoor fan motor.	Check the fan motor. Check fan motor connections and wiring.	Replace fan motor when required. Adjust wiring when required.
Faulty indoor unit main PCB.	Check if the HAP LED is blinking in regular intervals. Check if the correct spare part is installed. Check if the indoor main PCB receives power.	Restore the power to the indoor main PCB. Replace indoor main PCB when HAP LED is not blinking in regular intervals.
Standby electricity saving mode is ON but there is a sky-air indoor installed on the unit.	If the indoor unit is NOT a sky-air indoor. This mode is only compatible with split indoor units.	Put "standby electricity saving function" OFF (see installation manual).

More info:

Check procedures	Replacing procedures
"Main PCB" on page 57	"Replacing main PCB" on page 85
"Fan motor" on page 57	"Replacing DC fan motor assembly" on page 80

2.2.3.5. "U5-00" – Malfunction of transmission between indoor unit and remote controller

Trigger	Effect	Reset
Data from indoor unit cannot be send to wired controller and vice-versa.	Unit cannot be controlled by the wired controller.	If the connection is correct the unit will start itself.

Possible cause	Check	Corrective action
Faulty wiring.	Double check if the wiring is correct. It can be that the connector is the same but not the cables. Use the cable who comes with the controller.	Correct wiring.

2.2.3.6. “U7-00” – Transmission outdoor unit-outdoor unit abnormality

Trigger	Effect	Reset
Communication abnormality between outdoor unit PCB's.	Unit will stop operating.	Manual reset via user interface.

Possible cause	Check	Corrective action
Faulty wiring between outdoor unit PCBs.	Check wiring between outdoor unit PCBs.	Adjust wiring between outdoor unit PCBs when required.
Faulty outdoor unit main PCB.	Check if the HAP LED is blinking in regular intervals. Check if the correct spare part is installed. Check if the outdoor main PCB receives power.	Adjust the power to the outdoor main PCB. Replace outdoor main PCB when HAP LED is not blinking in regular intervals.
Faulty outdoor inverter PCB.	Check outdoor inverter PCB. Check if the alive led is blinking in regular intervals. Check if the correct spare part is installed.	Adjust the power to the outdoor inverter PCB. Replace outdoor inverter PCB.

More info:

Check procedures	Replacing procedures
	"Replacing main PCB" on page 85

2.2.3.7. “UA-00” – Improper combination of indoor unit and outdoor unit

Trigger	Effect	Reset
Signal transmission between indoor unit and outdoor unit abnormality.	Unit will stop operating.	Power reset via outdoor unit.

Possible cause	Check	Corrective action
Improper combination of indoor unit and outdoor unit.	Check combination.	Adjust installation when required.
Wiring abnormality between indoor unit and outdoor unit.	Check wiring between indoor unit and outdoor unit.	Adjust wiring between indoor unit and outdoor unit when required. Replace wiring between indoor unit and outdoor unit when required.
Faulty outdoor unit main PCB.	Check if the HAP LED is blinking in regular intervals. Check if the correct spare part is installed. Check if the outdoor main PCB receives power.	Restore the power to the outdoor main PCB. Replace outdoor main PCB when HAP LED is not blinking in regular intervals.

Possible cause	Check	Corrective action
Faulty indoor unit main PCB.	Check if the HAP LED is blinking in regular intervals. Check if the correct spare part is installed. Check if the indoor main PCB receives power.	Restore the power to the indoor main PCB. Replace indoor main PCB when HAP LED is not blinking in regular intervals.
Standby electricity saving mode is ON but there is a sky-air indoor installed on the unit.	If the indoor unit is NOT a sky-air indoor. This mode is only compatible with split indoor units.	Put "standby electricity saving function" OFF (see installation manual).

More info:

Check procedures	Replacing procedures
"Main PCB" on page 57	"Replacing main PCB" on page 85

2.2.3.8. "UF-00" – Wiring and piping mismatch

Trigger	Effect	Reset
When the interunit wiring between indoor and outdoor unit is incorrect. Piping abnormality.	Unit will stop operating.	Automatic reset.

Possible cause	Check	Corrective action
Faulty wiring between indoor and outdoor unit.	Check wiring between indoor and outdoor unit.	Correct wiring.
Refrigerant shortage (incorrect charge/leakage).	Check for refrigerant shortage. Perform a leak test.	If required, repair the leak and charge the correct amount of refrigerant.
Refrigerant circuit is clogged.	Check for possible blockage (Blockages can be checked by measuring the refrigerant/pipe temperature. Sudden drop in temperature could indicate a blockage. (Remark: This is not valid for the expansion valve.)).	

More info:

Check procedures	Replacing procedures
"Wiring diagram" on page 102	

2.3. Symptom based troubleshooting

2.3.1. Operation does not start

Check	Detail
When the operation lamp is off, there is a power failure. Check the power supply.	Is the power supply breaker ON? Do other electrical appliances work? Is the rated voltage ($\pm 10\%$) supplied? Check the insulation of the electric system.
Check the type of the indoor units.	Is the indoor unit type compatible with the outdoor unit?
Check the transmission between indoors and outdoor.	Connection wires.
Check the outdoor temperature.	Heating operation cannot be used when the outdoor temperature is 18°C WB or higher. Cooling operation cannot be used when the outdoor temperature is below 10°C DB.
When the operation lamp blinks, there may be an error code, activating the protection device. Diagnose with remote controller indication.	See "Error based troubleshooting" on page 20.
Check the remote controller addresses.	Are the address settings for the remote controller and indoor unit correct?
Check the operation circuit.	Is the thermal fuse blown. Are wire size and wire connections OK?
Check fan motor.	Is the magnetic switch defective? Is the overcurrent relay defective?
Check compressor.	Is the contact defective? Is the protection thermostat defective? Is the compressor itself defective?
Check remote controller.	Are the batteries LOW? Are there incorrect settings?
Check the LEDs on outdoor unit PCB2 (3MXM-N(9), 4MXM-N(9),5MXM-N(9)).	See "Error codes via outdoor unit PCB2 (Service PCB) (3MXM-N(9), 4MXM-N(9), 5MXM-N(9))" on page 19.

2.3.2. Operation sometimes stops

Check	Detail
When the operation lamp is off, there is a power failure. Check the power supply.	A power failure of 2 to 10 cycles stops air conditioner operation.
Check the outdoor temperature.	Heating operation cannot be used when the outdoor temperature is 18°C WB or higher. Cooling operation cannot be used when the outdoor temperature is below 10°C DB.
When the operation lamp blinks, there may be an error code, activating the protection device. Diagnose with remote controller indication.	See "Error based troubleshooting" on page 20.
Check the LEDs on outdoor unit PCB2 (3MXM-N(9), 4MXM-N(9),5MXM-N(9)).	See "Error codes via outdoor unit PCB2 (Service PCB) (3MXM-N(9), 4MXM-N(9), 5MXM-N(9))" on page 19.

2.3.3. Some indoor units do not operate

Check	Detail
Check the type of the indoor units.	Is the indoor unit type compatible with the outdoor unit?
Check if the operation modes of the indoor units have conflict.	Heating mode CANNOT be together with FAN* or Dry or Cooling mode. And vice versa. Other combinations of modes can be together. (Ex. Cooling and FAN, Cooling and Dry)

2.3.4. Operation starts but the unit does not cool/heat

Check	Detail
Check the electrical power supply.	Is the rated voltage ($\pm 10\%$) supplied?
Check for piping and wiring errors in the connection between the indoor units and outdoor unit.	Refrigerant piping is too long; is the length within specified range? Field piping is defective; is there a refrigerant leakage? Is there capacity loss over the condenser, saturation pressure or sound because of air mixed in to the circuit? Incorrect size of connection wiring. Is there a cross wiring? (Ex: Indoor unit A piping is with indoor unit C wiring.)
When the operation lamp blinks, there may be a thermistor detection error code, activating the protection device.	Check the resistance of all thermistors. Check the connection of all thermistors. Is there a malfunction in the room temperature thermistor or outdoor temperature thermistor?
Check for faulty operation of the electronic expansion valve.	Set the unit to cooling operation, and check the temperature of the liquid pipe to see if the electronic expansion valve works.
Diagnose by service port pressure and operating current.	Check for refrigerant shortage.
Check if the set temperature is appropriate.	thermostat "off" can be activated, set the appropriate temperature.
Check the type of the indoor and outdoor units.	Is the indoor unit type compatible with the outdoor unit?
Check the air filter.	Is the air filter clean?

2.3.5. Operating noise and vibrations

Check	Detail
Check the installation conditions (specified in the installation manual).	Use general vibration prevention where needed. If the mounting wall is too thin, you must use cushion material or rubber, or change the installation place. Refrigerant piping is too short; is the length within specified range? Due to bad installation or general conditions there may be deformation of the unit. Are all the screws installed and tightened properly? Is all piping secured, fixed and supported by inserting a cushion material where needed? Install piping weights or correct by hand if any piping is in contact with other parts. Is the fan in contact with other parts? If so separate the fan from the other parts.
Check refrigerant charge.	Is the unit filled with the specified refrigerant volume? Is there a flushing noise, due to refrigerant shortage? Is there air in the system?

Check	Detail
Check the expansion valve.	If a passing sound is heard from the pressure reducing valve, apply sound insulation sheets of putty to reduce the valve noise.

2.3.6. Abnormal high pressure

In cooling mode

Check item	Detail
Does the outdoor unit fan run normally?	Visual inspection
Is the outdoor unit heat exchanger clogged?	Visual inspection
Is there clogging before or after the expansion valve (capillary)?	Check if there is a temperature difference before and after expansion valve (capillary). Check if the main valve unit of expansion valve operates (by noise, vibration).
Is the High Pressure Switch normal?	Check continuity by using a tester.
Is the outdoor unit installed under such conditions that short circuit easily occurs?	Visual inspection
Is the piping length ≤ 5 m?	Visual inspection
Does air enter the refrigerant system?	Conduct refrigerant collection and vacuum drying, and then add proper amount refrigerant.
Is the refrigerant overcharged?	Conduct refrigerant collection and vacuum drying, and then add proper amount refrigerant.

In heating mode

Check item	Detail
Does the indoor unit fan run normally?	Visual inspection
Is the indoor unit heat exchanger clogged?	Visual inspection
Is the indoor unit installed under such conditions that short circuit easily occurs?	Visual inspection
Is there clogging before or after the expansion valve (capillary)?	Check if there is a temperature difference before and after expansion valve (capillary). Check if the main valve unit of expansion valve operates (by noise, vibration).
Is the High Pressure Switch normal?	Check continuity by using a tester.
Is the minimum piping length respected?	Visual inspection
Does air enter the refrigerant system?	Conduct refrigerant collection and vacuum drying, and then add proper amount refrigerant.
Is the refrigerant overcharged?	Conduct refrigerant collection and vacuum drying, and then add proper amount refrigerant.

2.3.7. Abnormal low pressure

Abnormally low pressure level is mostly caused by the evaporator side. The following contents are provided based on field checking of service engineer. Further, the number is listed in the order of degree of influence.

In cooling mode

Check item	Detail
Does the indoor unit fan run normally?	Visual inspection
Is the indoor unit heat exchanger clogged?	Visual inspection
Is the indoor unit installed under such conditions that short circuit easily occurs?	Visual inspection

Check item	Detail
Is there clogging before or after the expansion valve (capillary)?	Check if there is a temperature difference before and after expansion valve (capillary). Check if the main valve unit of expansion valve operates (by noise, vibration).
Is the check valve (if applicable) clogged?	after check valve. If YES, the check valve is caught.
Is there a shortage of refrigerant?	Conduct refrigerant collection and vacuum drying, and then add proper amount refrigerant.

In heating mode

Check item	Detail
Does the outdoor unit fan run normally?	Visual inspection
Is the outdoor unit heat exchanger clogged?	Visual inspection
Is there clogging before or after the expansion valve (capillary)?	Check if there is a temperature difference before and after expansion valve (capillary). Check if the main valve unit of expansion valve operates (by noise, vibration).
Is the check valve (if applicable) clogged?	Check if there is a temperature difference before and after check valve. If YES, the check valve is caught.
Is the outdoor unit installed under such conditions that short circuit easily occurs?	Visual inspection
Is there a shortage of refrigerant?	Conduct refrigerant collection and vacuum drying, and then add proper amount refrigerant.

2.3.8. Indoor fan starts operating but the compressor does not operate

Check	Detail
Check the power supply.	Is the rated voltage ($\pm 10\%$) supplied? Check the insulation of the electric system.
Check the thermistor.	Connection witch PCB. Output.
Check PCB's HAP LED's (if applicable).	If green led on the control PCB is not blinking, then the microprocessor is not working. If the green led on the main PCB is not blinking, then the microprocessor is not working. If first green LED on the service monitor PCB is not blinking, then the microprocessor is not working.
Check the magnetic switch.	
Check the power transistor.	
Check the compressor.	Defective contact. Defective compressor. Defective protection thermostat.
Check the outdoor temperature.	Heating operation cannot be used when the outdoor temperature is 18°C WB or higher. Cooling operation cannot be used when the outdoor temperature is below 10°C DB.

2.3.9. Operation starts and the unit stops immediately

Check	Detail
Check the power supply.	Is the capacity of the safety breaker as specified? If the earth leakage breaker is too sensitive, then increase the set value of the earth leakage current of the breaker or replace the breaker. Is the circuit exclusive? Is the rated voltage ($\pm 10\%$) supplied? Is there an incorrect size of connection wiring?
Check the refrigerant charge.	Overcharge. Air in the system. Water in the system.
Check the fan motor.	Check the magnetic switch. Check the overcurrent relay.
Check the four way valve coil.	Is there a short circuit? Is the four way valve coil broken?
Check the outdoor PCB.	Is there a short circuit? Is the outdoor PCB broken?
Check the heat exchanger.	Soiled heat exchanger, obstruction.
Check the airflow.	Soiled air filter, obstruction, installation space.

2.3.10. Operation stops, unit cannot start for a while

Check	Detail
Check if standby function is activated.	Compressor delay timer is counting. Wait for minimum 3 minutes.
Check the power supply.	Low voltage? Is the size of the power cable sufficient?
Check the refrigerant charge.	Incorrect charge. Air in the system. Water in the system. Obstruction in the system.
Check compressor.	Overcurrent relay. Protection thermostat.

2.3.11. Indoor unit

Not available yet.

2.3.12. Outdoor unit

Not available yet.

2.3.13. System

Not applicable.

2.3.14. Others

Not applicable.

2.4. Component checklist

Overview of component checklists:

Indoor unit	50
Fan motor	50
Outdoor unit.....	51
4-way valve	51
Compressor.....	53
Electronic expansion valve.....	55
Fan motor	57
Main PCB	57
Refrigerant thermistors.....	58

2.4.1. Indoor unit

2.4.1.1. Fan motor

Technical specification		Description	
The motor has a single connector for DC power and the rotation counter feed back from the integrated pulse generator (4 pulses/revolution).		The fan motor runs on a fixed speed to supply the required air flow rate.	
Location			
Piping diagram	Wiring diagram	Switch box	Component overview of unit
See "Indoor unit" on page 116.	See "Indoor unit" on page 102.	Not applicable.	Not applicable.
Check procedure			
Mechanical check			

PRELIMINARY ACTIONS

1. Switch off the Daikin unit via the user interface.
2. Switch off the Daikin unit with the field supplied circuit breaker.
3. Remove casing when required.

PROCEDURE

1. Check the state of the rotor, replace the rotor if damaged, deformed, cracked or broken.
2. Check the motor shaft bearing friction, only perform electrical check if motor runs with low shaft bearing friction. Replace fan motor if friction is abnormal.

Electrical check

PRELIMINARY ACTIONS

1. Switch off the Daikin unit via the user interface.
2. Switch off the Daikin unit with the field supplied circuit breaker.
3. Remove casing when required.

PROCEDURE

1. Check fuse on indoor PCB, replace if blown.



WARNING: RISK OF FIRE

When reconnecting a connector to the PCB, do not apply force, as this may damage the connector or connector pins of the PCB.

2. Check if fan motor connector is plugged into PCB.
3. Power the Daikin unit.
4. Check power supply, the measured voltage must be 198 - 240 VAC, if not replace indoor PCB.

2.4.2. Outdoor unit

2.4.2.1. 4-way valve

Technical specification		Description	
-		The 4-way valve directs the super heated refrigerant discharged from the compressor to the indoor heat exchanger in case of heating operation or to the outdoor heat exchanger in case of defrosting and cooling operation.	
Location			
Piping diagram	Wiring diagram	Switch box	Component overview of unit
See "Outdoor unit" on page 119.	See "Outdoor unit" on page 105.	See "Outdoor unit" on page 129.	See "Outdoor unit" on page 128.
Check procedure			
Mechanical check			

PRELIMINARY ACTIONS

1. Switch off the Daikin unit via the user interface.
2. Switch off the Daikin unit with the field supplied circuit breaker.
3. Remove plate work when required (refer to "Basic removal" on page 69).

PROCEDURE

1. Loosen the screw and remove the coil from the 4-way valve (refer to "Replacing 4-way valve coil" on page 76).



WARNING: RISK OF FIRE

When reconnecting a connector to the PCB, do not apply force, as this may damage the connector or connector pins of the PCB.

2. Unplug 4-way valve connector from applicable PCB, see table "Component checklist" on page 129.
3. Switch the circuit breaker on.
4. Switch on the Daikin unit via the user interface, start cooling/defrost operation.

If the temperature after the heat exchanger drops, proceed with next step.

If the temperature after the heat exchanger rises, the 4-way valve is stuck in heating position, replace the 4-way valve body (refer to "Replacing 4-way valve body" on page 74).

If the temperature after the heat exchanger does not rise, check the refrigerant pressure by connecting a manifold to one of the service ports.

 - If no pressure is measured, perform a pressure test and fix any leaks.
 - If pressure is measured, the 4-way valve is stuck in the middle, confirm by determining the position of the 4-way valve as described below and replace the 4-way valve (refer to "Replacing 4-way valve body" on page 74).



CAUTION - RISK OF LIQUID ENTERING THE COMPRESSOR

To prevent damage to the compressor the step below must only be done once.

5. While listening to the 4-way valve, place a round permanent magnet on the core of the solenoid valve. If you do not hear the 4-way valve switching, it must be replaced (refer to "Replacing 4-way valve body" on page 74).

Electrical check

PRELIMINARY ACTIONS

1. Switch off Daikin unit via the user interface.
2. Switch off Daikin unit with the field supplied circuit breaker.
3. Remove plate work when required (refer to ["Basic removal" on page 69](#)).

PROCEDURE

1. Switch on the Daikin unit, start heating operation.

**WARNING: RISK OF FIRE**

When reconnecting a connector to the PCB, do not apply force, as this may damage the connector or connector pins of the PCB.

2. Measure the voltage on 4-way valve connector: pin 1-3, see table ["Component checklist" on page 129](#). If the measured voltage does not range 220-240 VAC during switching / 15 VAC after switching, unplug 4-way valve connector from PCB and measure the voltage directly on the PCB: pin 1-3 of 4-way valve connection.
 - If the voltage, measured directly on the PCB does not range 220-240 VAC during switching / 15 VAC after switching, replace main PCB.
 - If the voltage, measured directly on the PCB does range 220-240 VAC during switching / 15 VAC after switching, replace the 4-way valve coil (refer to ["Replacing 4-way valve coil" on page 76](#)).

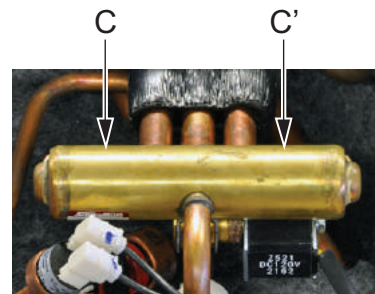
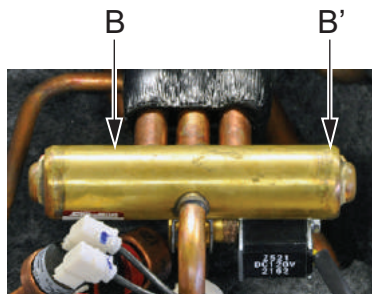
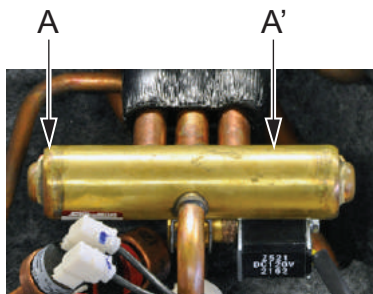
**WARNING: RISK OF FIRE**

When reconnecting a connector to the PCB, do not apply force, as this may damage the connector or connector pins of the PCB.

3. Unplug 4-way valve connector from PCB and measure the resistance of the 4-way valve coil. If the measured resistance does not range 1000 - 2000 Ω , replace the 4-way valve coil (refer to ["Replacing 4-way valve coil" on page 76](#)).
4. Switch on the Daikin unit, start cooling/defrost operation.
If the temperature after the plate type heat exchanger rises, the control of the 4-way valve is wrong. Replace main PCB.

Determine the position of the 4-way valve

1. Switch off Daikin unit via the user interface.
2. Switch off Daikin unit with the field supplied circuit breaker.
3. Slide a magnet over the front and the rear of the 4-way valve body and sense the attraction of the magnet to determine the valve position.
4. If the magnet is attracted in positions A,A' or B,B', the 4-way valve is OK; if the magnet is attracted in positions C,C' the 4-way valve must be replaced (refer to ["Replacing 4-way valve body" on page 74](#)).



2.4.2.2. Compressor

Technical specification		Description	
Type: inverter driven, swing double swing.		The compressor compresses the refrigerant in the refrigerant circuit.	
Location			
Piping diagram	Wiring diagram	Switch box	Component overview of unit
See "Outdoor unit" on page 119.	See "Outdoor unit" on page 105.	See "Outdoor unit" on page 129.	See "Outdoor unit" on page 128.
Check procedure			
Preliminary check			

1. Check if the Daikin unit is connected to earth.
2. Check if the stop valve is open.

Mechanical check

PRELIMINARY ACTIONS

1. Switch off the Daikin unit via the user interface.
2. Switch off the Daikin unit with the field supplied circuit breaker.
3. Remove plate work when required (refer to "Basic removal" on page 69).

PROCEDURE

1. Open the compressor insulation.
2. Check if the condition of the compressor dampers and piping is correct.

Electrical check

PRELIMINARY ACTIONS

1. Switch off the Daikin unit via the user interface.
2. Switch off the Daikin unit with the field supplied circuit breaker.
3. Remove plate work when required.

PROCEDURE

1. Open the compressor insulation.
2. Switch on the Daikin unit and measure the U, V, W inverter voltages. All voltages must be identical, if not, replace the inverter PCB.
3. Switch off the Daikin unit via the user interface.
4. Switch off the Daikin unit with the field supplied circuit breaker.



INFORMATION

Note the position of the cables on the compressor wire terminals to allow identical wiring during reinstallation.

5. Disconnect the Faston connectors U, V and W from the compressor, take picture.
6. Measure the compressor motor windings U-V, V-W and U-W.

7. Megger the compressor using 500 or 1000 VDC, the insulation must be higher than 3 MΩ.
8. Replace the compressor if the windings and/or insulation measurements fail (refer to ["Replacing compressor" on page 77](#)).
9. Run the compressor and measure the current in each phase; the current for each phase should be identical (refer to ["Product specific information" on page 129](#)). In that case it can be decided to preventively replace the compressor (refer to ["Replacing compressor" on page 77](#)).

2.4.2.3. Electronic expansion valve

Technical specification		Description	
The electronic expansion valve has a hermetically sealed body with a slide-on stepping motor drive coil (480 pulses from fully closed to fully open position).		The electronic expansion valve is used: <ul style="list-style-type: none"> To control the flow of refrigerant. Depending on location, the trigger point is sub-cool and/or superheat. To stop the flow of refrigerant completely when closing (= 0 pulses). 	
Location			
Piping diagram	Wiring diagram	Switch box	Component overview of unit
See "Outdoor unit" on page 119.	See "Outdoor unit" on page 105.	See "Outdoor unit" on page 129.	See "Outdoor unit" on page 128.
Check procedure			
Mechanical check			

PRELIMINARY ACTIONS

- Switch off the Daikin unit via the user interface.
- Switch off the Daikin unit with the field supplied circuit breaker.
- Switch on the Daikin unit and listen to the expansion valve assembly, if the expansion valve body does not create a latching sound, continue with the electrical check.
- Switch off the Daikin unit via the user interface.
- Switch off the Daikin unit with the field supplied circuit breaker.
- Remove plate work when required (refer to "Basic removal" on page 69).

PROCEDURE

- Remove the expansion valve coil from the expansion valve body.
- Slide the magnet (tool part N° 9950038) over the expansion valve body and gently rotate the magnet to manually operate the expansion valve body clockwise (closing) and counterclockwise (opening).
- If it is not possible to open the expansion valve body with the magnet, the expansion valve body is blocked and the expansion valve body must be replaced (refer to "Replacing expansion valve body" on page 82).

Electrical check

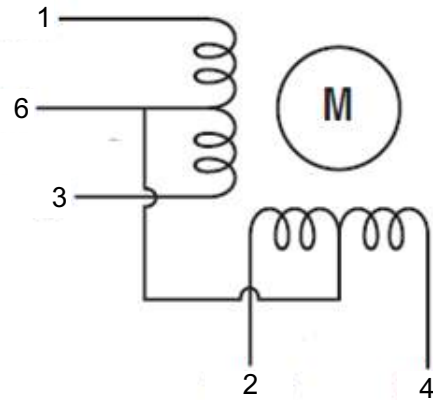
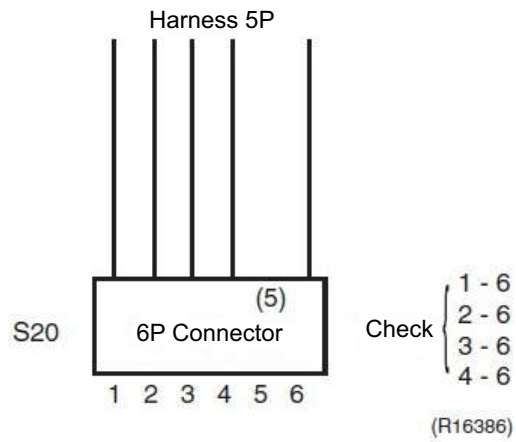
PRELIMINARY ACTIONS

- Switch off the Daikin unit via the user interface.
- Switch off the Daikin unit with the field supplied circuit breaker.
- Remove plate work when required (refer to "Basic removal" on page 69).

PROCEDURE

- Check if the electrical connector of the expansion valve coil was correctly connected to the PCB, if not, connect the electrical connector.
- Disconnect the electrical connector of the expansion valve coil and check the continuity between below pins using a multi meter. It should be ± the same value.
 - Connector pin 1-6: connected
 - Connector pin 2-6: connected

- Connector pin 3-6: connected
- Connector pin 4-6: connected



3. If one or more of the windings have no continuity, replace the expansion valve coil.

2.4.2.4. Fan motor

Technical specification		Description	
The motor has a single connector for DC power and the rotation counter feed back from the integrated pulse generator (4 pulses/revolution).		The fan motor runs on a fixed speed to supply the required air flow rate.	
Location			
Piping diagram	Wiring diagram	Switch box	Component overview of unit
See "FTXM20-25M9" on page 118.	See "FTXM20-35M9" on page 104.	See "Outdoor unit" on page 129.	See "Outdoor unit" on page 128.
Check procedure			
Mechanical check			

PRELIMINARY ACTIONS

1. Switch off the Daikin unit via the user interface.
2. Switch off the Daikin unit with the field supplied circuit breaker.
3. Remove plate work when required (refer to ["Basic removal" on page 69](#)).

PROCEDURE

1. Check the state of the propeller, replace the propeller if damaged, deformed, cracked or broken (refer to ["Replacing propeller fan blade assembly" on page 86](#)).
2. Check the motor shaft bearing friction, only perform electrical check if motor runs with low shaft bearing friction. Replace fan motor if friction is abnormal (refer to ["Replacing DC fan motor assembly" on page 80](#)).

Electrical check

PRELIMINARY ACTIONS

1. Switch off the Daikin unit via the user interface.
2. Switch off the Daikin unit with the field supplied circuit breaker.
3. Remove plate work when required (refer to ["Basic removal" on page 69](#)).

PROCEDURE

1. Check fuse on PCB, replace if blown, see table ["Component checklist" on page 129](#).



WARNING: RISK OF FIRE

When reconnecting a connector to the PCB, do not apply force, as this may damage the connector or connector pins of the PCB.

2. Check if fan motor connector is plugged into PCB.
3. Power the Daikin unit.
4. Check power supply, the measured voltage must be 198 - 240 VAC, if not replace main PCB (refer to ["Replacing main PCB" on page 85](#)).

2.4.2.5. Main PCB

Not available yet.

2.4.2.6. Refrigerant thermistors

Technical specification		Description	
A single type of thermistor is used; the resistance vs. temperature characteristics is shown in below table "Thermistor resistance / temperature characteristics (type 1)".		The thermistors are used to measure the temperature at multiple locations inside the Daikin unit. The measured temperatures are processed by the main board.	
Location			
Piping diagram	Wiring diagram	Switch box	Component overview of unit
See "Outdoor unit" on page 119.	See "Outdoor unit" on page 105.	See "Outdoor unit" on page 129.	See "Outdoor unit" on page 128.
Check procedure			
Mechanical check			

PRELIMINARY ACTIONS

1. Switch off the Daikin unit via the user interface.
2. Switch off the Daikin unit with the field supplied circuit breaker.
3. Locate the thermistor and check if thermal contact with the piping or ambient is ensured.

Electrical check



INFORMATION

If a thermistor check fails, replace the thermistor.

PRELIMINARY ACTIONS

1. Switch off the Daikin unit via the user interface.
2. Switch off the Daikin unit with the field supplied circuit breaker.
3. Remove plate work when required.

PROCEDURE

1. From the table in the appendix ("Component checklist" on page 129), select the thermistor that must be checked.
2. Measure the temperature of the thermistor using a contact thermometer.



WARNING: RISK OF FIRE

When reconnecting a connector to the PCB, do not apply force, as this may damage the connector or connector pins of the PCB.

3. Unplug the connector from the appropriate PCB and measure the resistance between the pins listed in the table in the appendix ("Component checklist" on page 129).
 - Compare the measured resistance with the range determined by the lower and higher temperature.
4. If the measured resistance does not match the listed value, the thermistor must be replaced.



INFORMATION

All thermistors have a tolerance of 5%.

E.g. R3T air thermistor - main PCB - connector S90: pin 1-2 type 1:

- Measured temperature with contact thermometer: 23.1°C.
- Unplug the sensor and measure the resistance between S90: 1-2: 21.86 kΩ.

- The resistance values are defined by below table "Thermistor resistance / temperature characteristics (type 1)":
 - Resistance at 23°C: 21.85 kΩ.
 - Resistance at 24°C: 20.90 kΩ.
- The measured value 21.86 kΩ is inside the range, thermistor R3T passes the check.



INFORMATION

The user interface allows to monitor most thermistors.

If the measured resistance of the thermistor matches the temperature measured with the contact thermometer but the temperature for the corresponding thermistor is not correct on the user interface display, replace applicable PCB.

Table 2-1: Thermistor resistance / temperature characteristics (type 1)

T °C	kΩ	T °C	kΩ	T °C	kΩ	T °C	kΩ	T °C	kΩ
-20	197.81	0	65.84	20	25.01	40	10.63	60	4.87
-19	186.53	1	62.54	21	23.91	41	10.21	61	4.70
-18	175.97	2	59.43	22	22.85	42	9.81	62	4.54
-17	166.07	3	56.49	23	21.85	43	9.42	63	4.38
-16	156.80	4	53.71	24	20.90	44	9.06	64	4.23
-15	148.10	5	51.09	25	20.00	45	8.71	65	4.08
-14	139.94	6	48.61	26	19.14	46	8.37	66	3.94
-13	132.28	7	46.26	27	18.32	47	8.05	67	3.81
-12	125.09	8	44.05	28	17.54	48	7.75	68	3.68
-11	118.34	9	41.95	29	16.80	49	7.46	69	3.56
-10	111.99	10	39.96	30	16.10	50	7.18	70	3.44
-9	106.03	11	38.08	31	15.43	51	6.91	71	3.32
-8	100.41	12	36.30	32	14.79	52	6.65	72	3.21
-7	95.14	13	34.62	33	14.18	53	6.41	73	3.11
-6	90.17	14	33.02	34	13.59	54	6.65	74	3.01
-5	85.49	15	31.50	35	13.04	55	6.41	75	2.91
-4	81.08	16	30.06	36	12.51	56	6.18	76	2.82
-3	76.93	17	28.70	37	12.01	57	5.95	77	2.72
-2	73.01	18	27.41	38	11.52	58	5.74	78	2.64
-1	69.32	19	26.18	39	11.06	59	5.14	79	2.55
								80	2.47

Table 2-2: Thermistor resistance / temperature characteristics (air thermistor FTXM-M, FTXM-N and FTXP-M9)

T °C	kΩ	T °C	kΩ	T °C	kΩ	T °C	kΩ	T °C	kΩ
-32,5	237,01	-6,0	46,5	20,5	12,3	47,0	4,0	73,5	1,6
-32,0	229,08	-5,5	45,3	21,0	12,0	47,5	3,9	74,0	1,5
-31,5	221,45	-5,0	44,0	21,5	11,7	48,0	3,9	74,5	1,5
-31,0	214,10	-4,5	42,8	22,0	11,4	48,5	3,8	75,0	1,5
-30,5	207,02	-4,0	41,7	22,5	11,2	49,0	3,7	75,5	1,5
-30,0	200,20	-3,5	40,6	23,0	10,9	49,5	3,7	76,0	1,4
-29,5	193,64	-3,0	39,5	23,5	10,7	50,0	3,6	76,5	1,4
-29,0	187,32	-2,5	38,4	24,0	10,5	50,5	3,5	77,0	1,4
-28,5	181,22	-2,0	37,4	24,5	10,2	51,0	3,5	77,5	1,4
-28,0	175,35	-1,5	36,4	25,0	10,0	51,5	3,4	78,0	1,4
-27,5	169,70	-1,0	35,5	25,5	9,8	52,0	3,3	78,5	1,3
-27,0	164,24	-0,5	34,5	26,0	9,6	52,5	3,3	79,0	1,3
-26,5	158,99	0,0	33,6	26,5	9,4	53,0	3,2	79,5	1,3
-26,0	153,92	0,5	32,7	27,0	9,2	53,5	3,1	80,0	1,3
-25,5	149,03	1,0	31,9	27,5	9,0	54,0	3,1	80,5	1,3

T °C	kΩ	T °C	kΩ	T °C	kΩ	T °C	kΩ	T °C	kΩ
-25,0	144,32	1,5	31,1	28,0	8,8	54,5	3,0	81,0	1,2
-24,5	139,77	2,0	30,3	28,5	8,6	55,0	3,0	81,5	1,2
-24,0	135,39	2,5	29,5	29,0	8,4	55,5	2,9	82,0	1,2
-23,5	131,15	3,0	28,7	29,5	8,2	56,0	2,9	82,5	1,2
-23,0	127,07	3,5	28,0	30,0	8,0	56,5	2,8	83,0	1,2
-22,5	123,13	4,0	27,3	30,5	7,9	57,0	2,8	83,5	1,1
-22,0	119,33	4,5	26,6	31,0	7,7	57,5	2,7	84,0	1,1
-21,5	115,66	5,0	25,9	31,5	7,5	58,0	2,7	84,5	1,1
-21,0	112,11	5,5	25,3	32,0	7,4	58,5	2,6	85,0	1,1
-20,5	108,69	6,0	24,6	32,5	7,2	59,0	2,6	85,5	1,1
-20,0	105,38	6,5	24,0	33,0	7,1	59,5	2,5	86,0	1,1
-19,5	102,19	7,0	23,4	33,5	6,9	60,0	2,5	86,5	1,0
-19,0	99,11	7,5	22,8	34,0	6,8	60,5	2,4	87,0	1,0
-18,5	96,13	8,0	22,3	34,5	6,6	61,0	2,4	87,5	1,0
-18,0	93,25	8,5	21,7	35,0	6,5	61,5	2,4	88,0	1,0
-17,5	90,47	9,0	21,2	35,5	6,4	62,0	2,3	88,5	1,0
-17,0	87,78	9,5	20,7	36,0	6,2	62,5	2,3	89,0	1,0
-16,5	85,19	10,0	20,2	36,5	6,1	63,0	2,2	89,5	0,9
-16,0	82,67	10,5	19,7	37,0	6,0	63,5	2,2	90,0	0,9
-15,5	80,25	11,0	19,2	37,5	5,9	64,0	2,2	90,5	0,9
-15,0	77,90	11,5	18,7	38,0	5,7	64,5	2,1	91,0	0,9
-14,5	75,63	12,0	18,3	38,5	5,6	65,0	2,1	91,5	0,9
-14,0	73,43	12,5	17,9	39,0	5,5	65,5	2,1	92,0	0,9
-13,5	71,31	13,0	17,4	39,5	5,4	66,0	2,0	92,5	0,9
-13,0	69,25	13,5	17,0	40,0	5,3	66,5	2,0	93,0	0,9
-12,5	67,27	14,0	16,6	40,5	5,2	67,0	1,9	93,5	0,8
-12,0	65,34	14,5	16,2	41,0	5,1	67,5	1,9	94,0	0,8
-11,5	63,48	15,0	15,8	41,5	5,0	68,0	1,9	94,5	0,8
-11,0	61,68	15,5	15,5	42,0	4,9	68,5	1,9	95,0	0,8
-10,5	59,93	16,0	15,1	42,5	4,8	69,0	1,8	95,5	0,8
-10,0	58,25	16,5	14,8	43,0	4,7	69,5	1,8	96,0	0,8
-9,5	56,61	17,0	14,4	43,5	4,6	70,0	1,8	96,5	0,8
-9,0	55,03	17,5	14,1	44,0	4,5	70,5	1,7	97,0	0,8
-8,5	53,50	18,0	13,8	44,5	4,4	71,0	1,7	97,5	0,7
-8,0	52,01	18,5	13,4	45,0	4,3	71,5	1,7	98,0	0,7
-7,5	50,57	19,0	13,1	45,5	4,3	72,0	1,6	98,5	0,7
-7,0	49,18	19,5	12,8	46,0	4,2	72,5	1,6	99,0	0,7
-6,5	47,83	20,0	12,5	46,5	4,1	73,0	1,6	99,5	0,7

Part 3. Repair

This part contains the following chapters:

Refrigerant repair procedures	61
Service tools	65
Unit specific repair procedures	66

3.1. Refrigerant repair procedures

Overview:

Refrigerant piping handling	61
Recovery procedure	61
Refrigerant pump down	63
Piping repair procedures	64

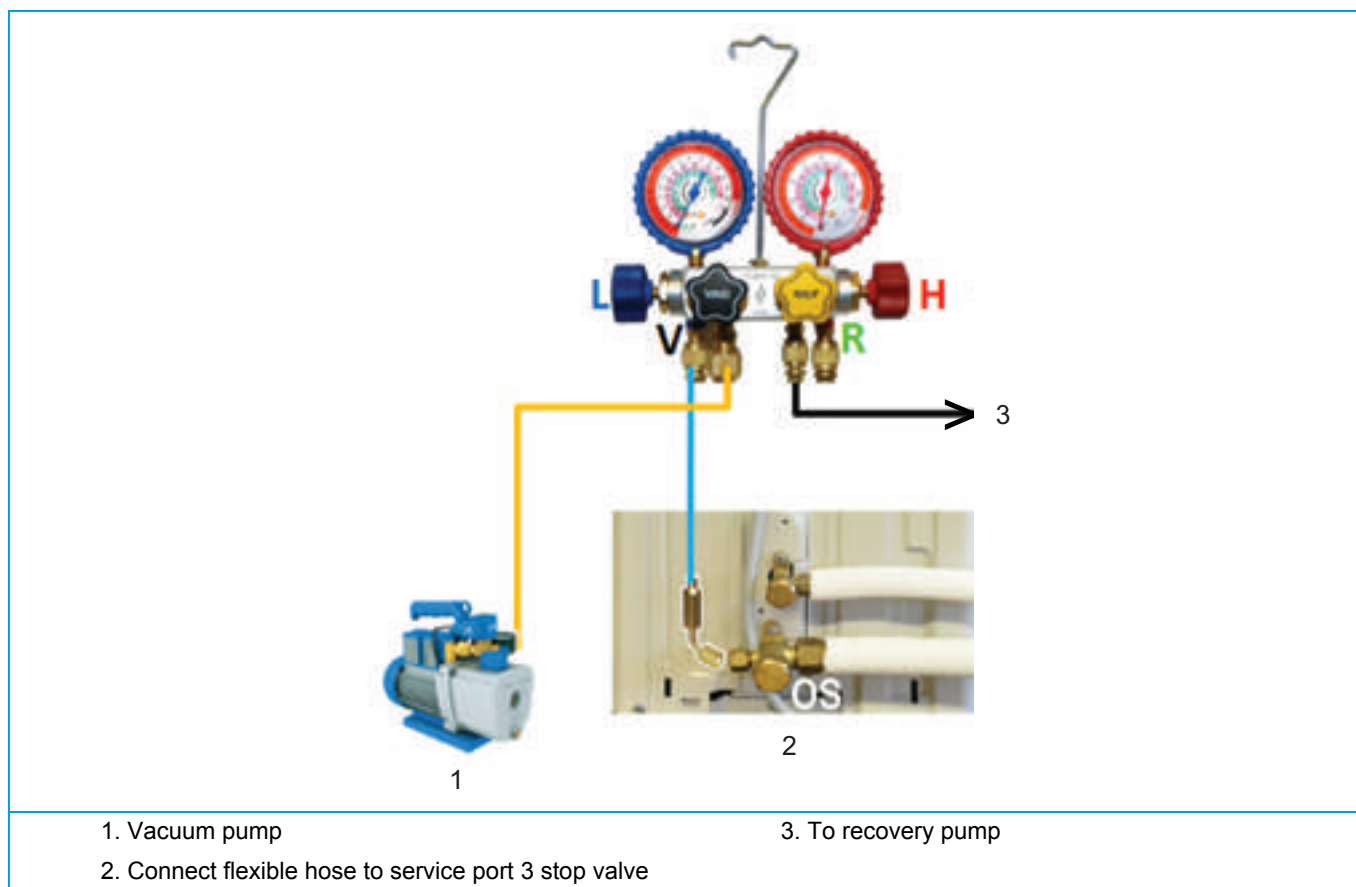
3.1.1. Refrigerant piping handling

- Make sure the applied pressure is never higher than the unit design pressure as indicated on the nameplate (PS).
- Work according the F-gas regulation and/or local regulations.
- Make sure the correct amount according the F-gas regulation label on the unit (factory + additional where required) of refrigerant is charged after repair.
- Make sure to use the appropriate equipment and tools according to the refrigerant and unit type.
- R32 can be charged in gas phase.
- Make sure to use a digital scale (no charging cylinder).
- Execute correct vacuum drying procedure after repair work:
 - -0,1 MPa / -760 mmHg / -750 Torr / -1 bar for at least 1 hour.
 - Connect the unit according the available service ports, refer to ["Recovery procedure" on page 61](#).
 - Use related field setting where necessary to open expansion valve/solenoid valve.

3.1.2. Recovery procedure

3.1.2.1. Outdoor unit casing

1. Switch off the Daikin unit via the user interface.
2. Manually open the expansion valve (located on the outdoor unit).
3. Connect the vacuum pump, manifold, recovery unit and refrigerant bottle to the service port as shown below.
For the location of the service ports, refer to ["Outdoor unit" on page 119](#).

In case of 1 service port at the stop valves**Figure 3-1: 1 service port at the stop valves****INFORMATION**

See instruction of the recovery pump supplier how to recover the refrigerant.

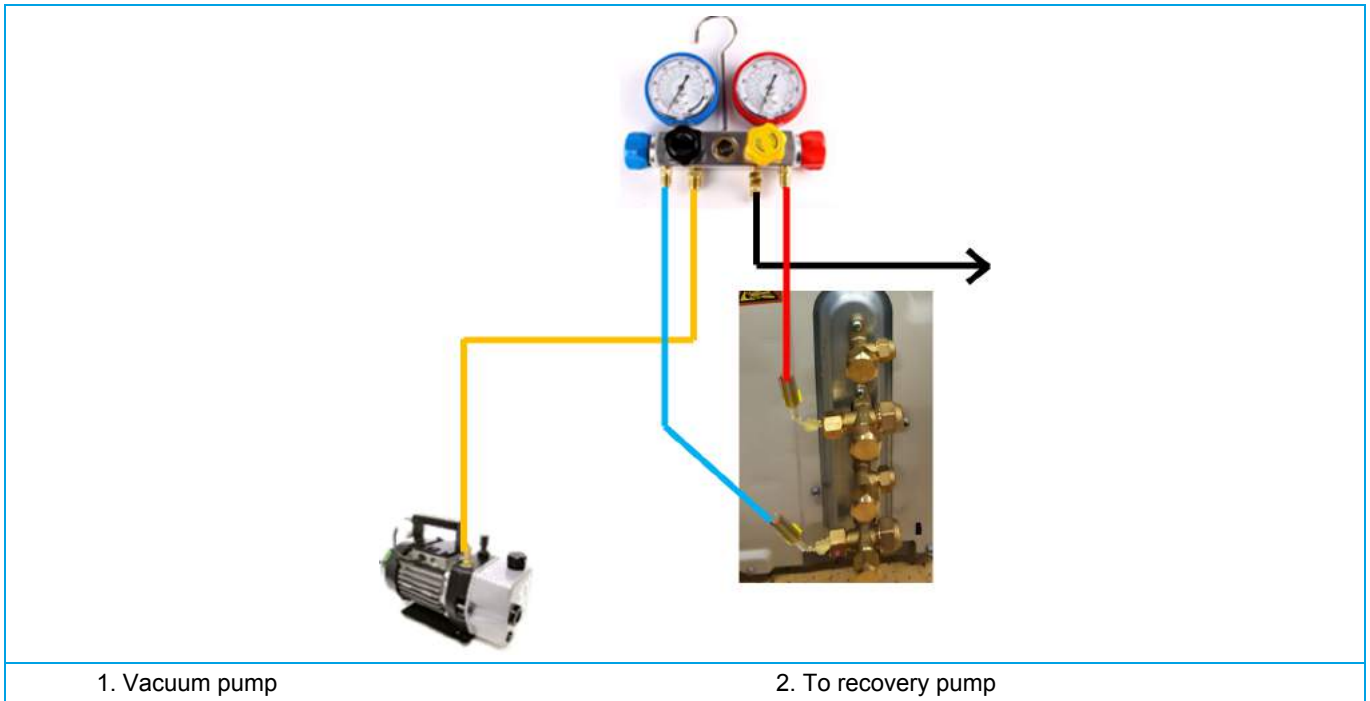
In case of 2 service ports at the stop valves

Connect both stop valve service ports to the manifold.

In case of 3 service ports at the stop valves

Connect 1 hose to the suction stop valve service port and 1 hose to the service port between the expansion valve and outdoor H/E.

Figure 3-2: 2 service ports at stop valves



1. Vacuum pump

2. To recovery pump



INFORMATION

See instruction of the recovery pump supplier how to recover the refrigerant.

3.1.3. Refrigerant pump down

To protect the environment, make sure to perform the following pump down operation when relocating the unit.



WARNING: RISK OF EXPLOSION

- When the refrigeration circuit has a leak, do not execute pump down with the compressor.
- Use recovery system into separate cylinder.
- Warning, explosive hazard exists when executing pump down.
- Pump down with compressor can lead to self-combustion due to air entering during pump down.



INFORMATION

Some outdoor units are equipped with a low pressure switch to protect the compressor by switching it off. Never short-circuit the low pressure switch during pump down operation!

1. Remove the valve lid from liquid stop valve and gas stop valve.
2. Carry out pump down operation.



CAUTION

Refer to Installer Reference Guide for 'Pump down operation' procedure.

3. After 5-10 min (after only 1-2 min in case of very low Ta < -10°C), close the liquid stop valve with a hexagonal wrench.
4. Check on manifold if vacuum is reached, close gas stop valve and forced cooling operation.

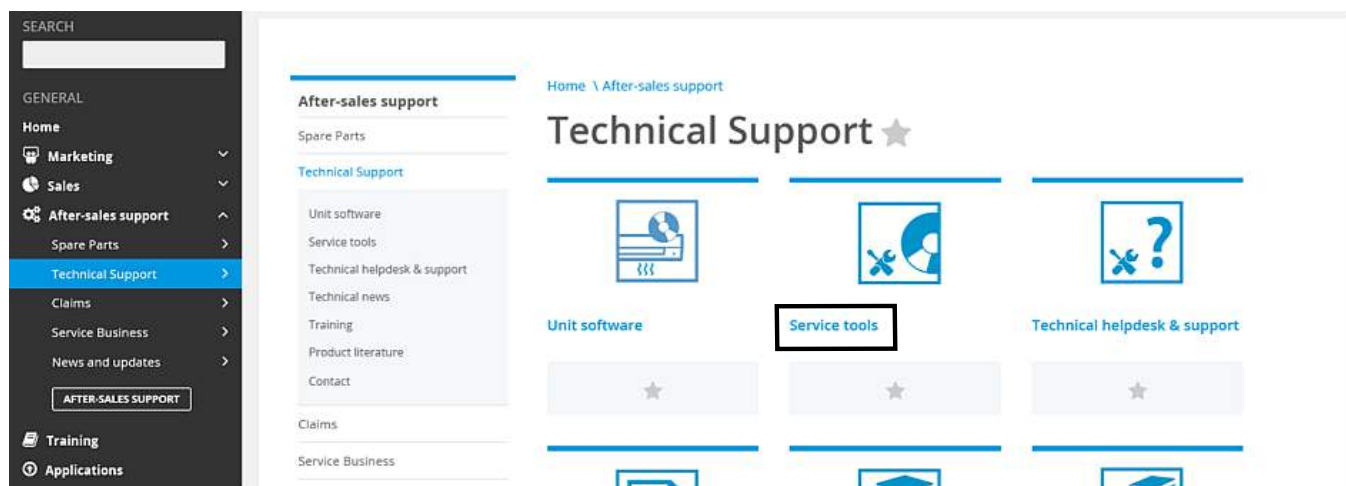
3.1.4. Piping repair procedures

- Make sure to cover open pipe ends during repair work so no dust or moisture can enter.
- Make sure to re-apply insulation removed during repair.
- Pipe expansion / flare making:
 - Remove any burrs on the cut surface and use correct tool such as reamer or scraper (note that excessive deburring can thin the pipe walls and cause cracking of the pipe).
 - Make sure the flare has the correct size (use a flare gauge).
 - Make sure no particles remain in the piping.
 - Apply just a drop of refrigerant oil on the inner surface of the flare.
 - Make sure the flare connection is tightened with the correct torque (torque values refer to installation manual).
- Brazing:
 - Use correct brazing tool.
 - Use a phosphor copper filler metal (silver composition of 0 to 2%). Do not use flux material.
 - Flush the piping before brazing with nitrogen to avoid oxidation of the inside of the copper tubes (nitrogen purity $\geq 99,99\%$).

3.2. Service tools

For an overview of the applicable service tools, please check the Daikin Business Portal: <http://www.mydaikin.eu>

Go to the tab “After-sales support” on the left side and then select “Technical support”.



You will then find a button “Service tools” which gives you an overview on which service tool to use for which product. Also additional information on the service tool (instruction, latest software) can be found there.

3.3. Unit specific repair procedures

Overview:

Indoor unit.....	67
Replacing R32 sensor (only for FVXM-F model).....	67
Outdoor unit.....	69
Basic removal.....	69
Replacing switch box.....	72
Replacing 4-way valve body.....	74
Replacing 4-way valve coil.....	76
Replacing compressor.....	77
Replacing DC fan motor assembly.....	80
Replacing expansion valve body.....	82
Replacing expansion valve motor.....	83
Replacing main PCB.....	85
Replacing propeller fan blade assembly.....	86
Replacing thermistors.....	87
Setting test mode for inverter checker.....	88

3.3.1. Indoor unit

3.3.1.1. Replacing R32 sensor (only for FVXM-F model)

PRELIMINARY ACTIONS

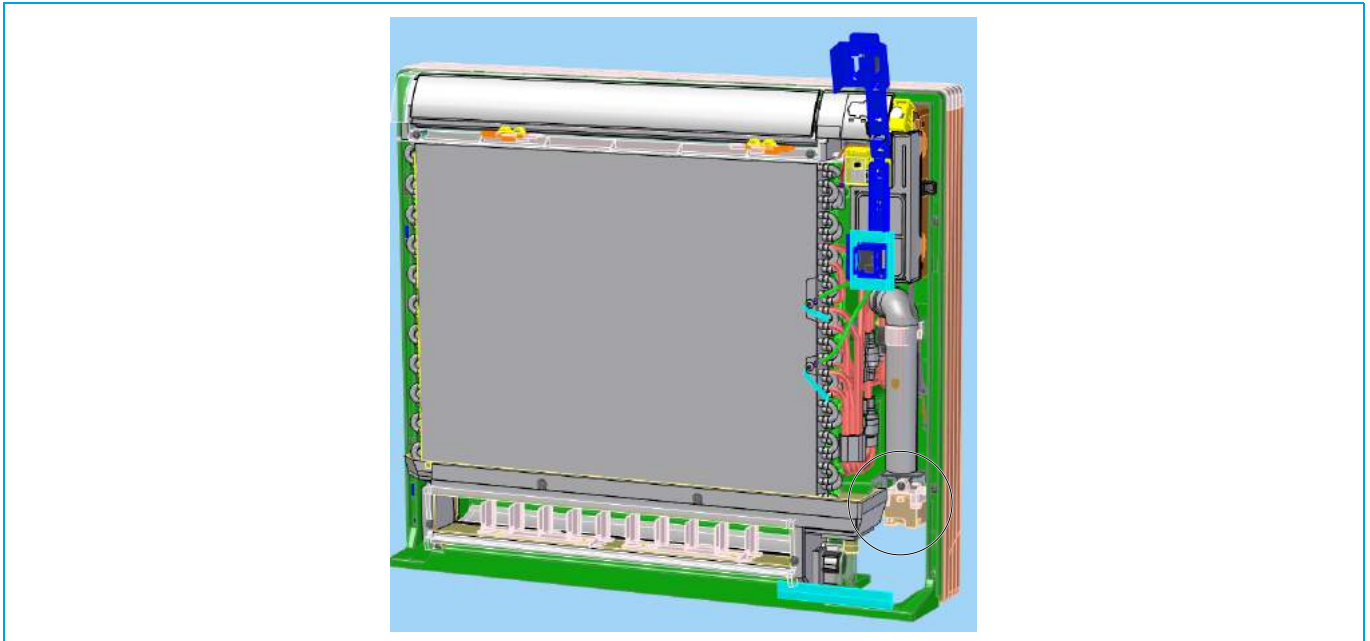
1. Switch off the Daikin unit via the user interface.
2. Switch off the Daikin unit with the field supplied circuit breaker.
3. Remove plate work.

PROCEDURE

Removal

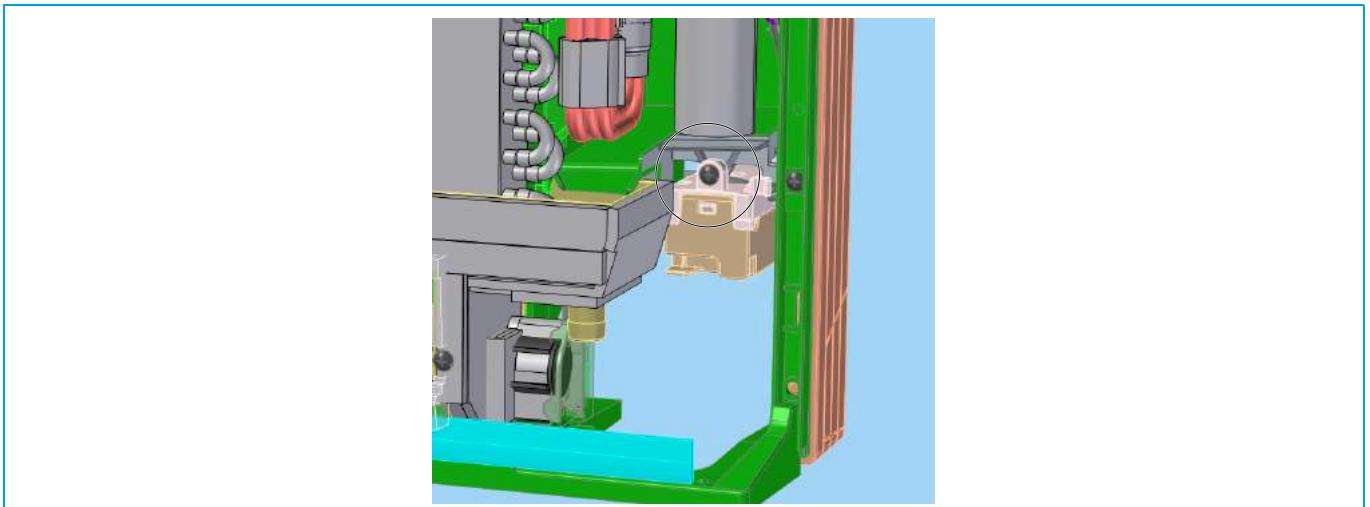
1. Remove plate work (front case).

Figure 3-3: Removing plate work



2. Remove screw.

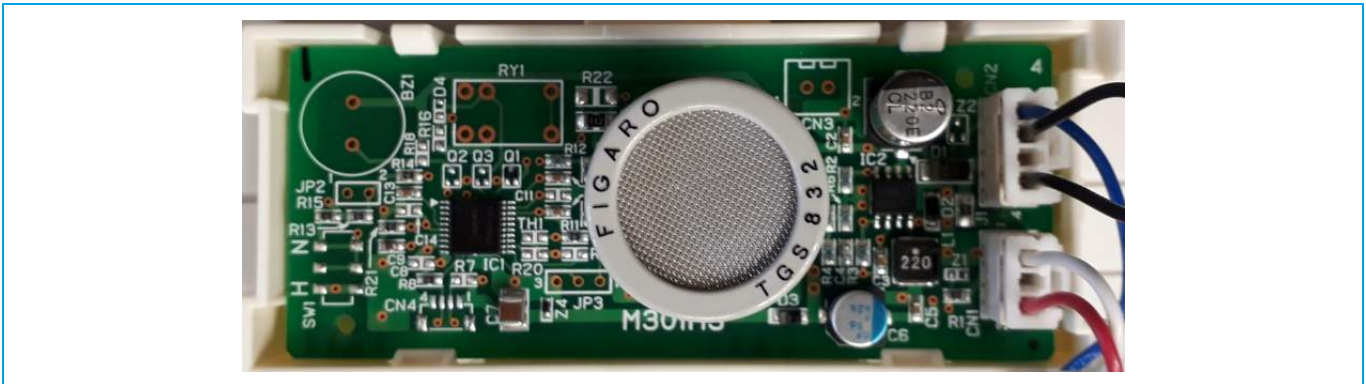
Figure 3-4: Removing the screw



3. Remove casing of the sensor.

Figure 3-5: Removing casing of the sensor

4. Remove PCB connectors, put new PCB in casing.

Figure 3-6: Removing PCB connectors

Installation

1. Proceed in reverse order.

3.3.2. Outdoor unit

3.3.2.1. Basic removal

3.3.2.1.1 Single fan outdoor unit

3.3.2.1.2 Removing refrigerant connection cover

PRELIMINARY ACTIONS

1. Switch off the Daikin unit via the user interface.
2. Switch off the Daikin unit with the field supplied circuit breaker.

PROCEDURE

Removal

1. Loosen and remove 1 screw (1) that fix the refrigerant connection cover.

Figure 3-7: Removing refrigerant connection cover



3.3.2.1.3 Removing the top plate

PRELIMINARY ACTIONS

1. Switch off the Daikin unit via the user interface.
2. Switch off the Daikin unit with the field supplied circuit breaker.

PROCEDURE

Removal

1. Loosen and remove the 2 screws (1) that fix the top plate.

Figure 3-8: Removing the top plate



3.3.2.1.4 Removing the front plate

PRELIMINARY ACTIONS

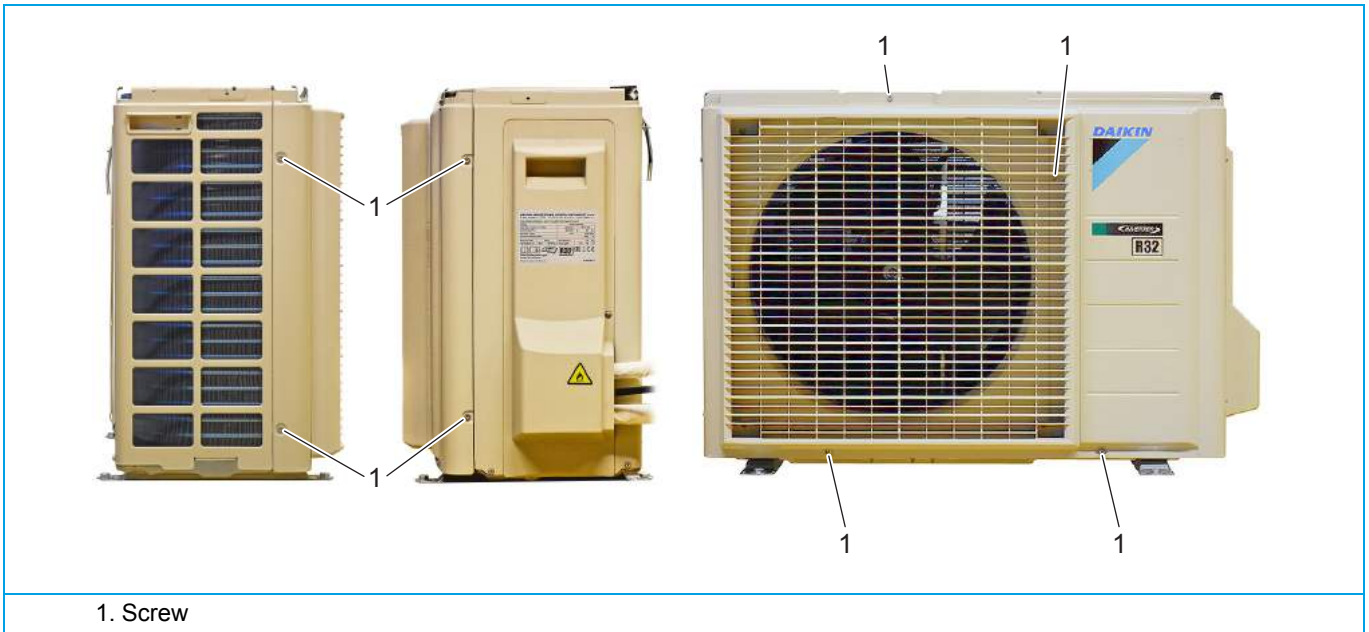
1. Switch off the Daikin unit via the user interface.
2. Switch off the Daikin unit with the field supplied circuit breaker.

PROCEDURE

Removal

1. Remove the top plate.
2. Loosen and remove the 8 screws (1) that fix the front plate.

Figure 3-9: Removing the front plate



3.3.2.1.5 Removing the compressor sound insulation

PRELIMINARY ACTIONS

1. Switch off the Daikin unit via the user interface.
2. Switch off the Daikin unit with the field supplied circuit breaker.

PROCEDURE

Removal

1. Remove the top plate.
2. Remove the front plate.
3. Remove the compressor sound insulation (untwist the cord and remove the insulation).

Figure 3-10: Removing the compressor sound insulation



3.3.2.2. Replacing switch box

PRELIMINARY ACTIONS

1. Switch off the Daikin unit via the user interface.
2. Switch off the Daikin unit with the field supplied circuit breaker.
3. Remove plate work when required, refer to ["Basic removal" on page 69](#).

PROCEDURE

Removal

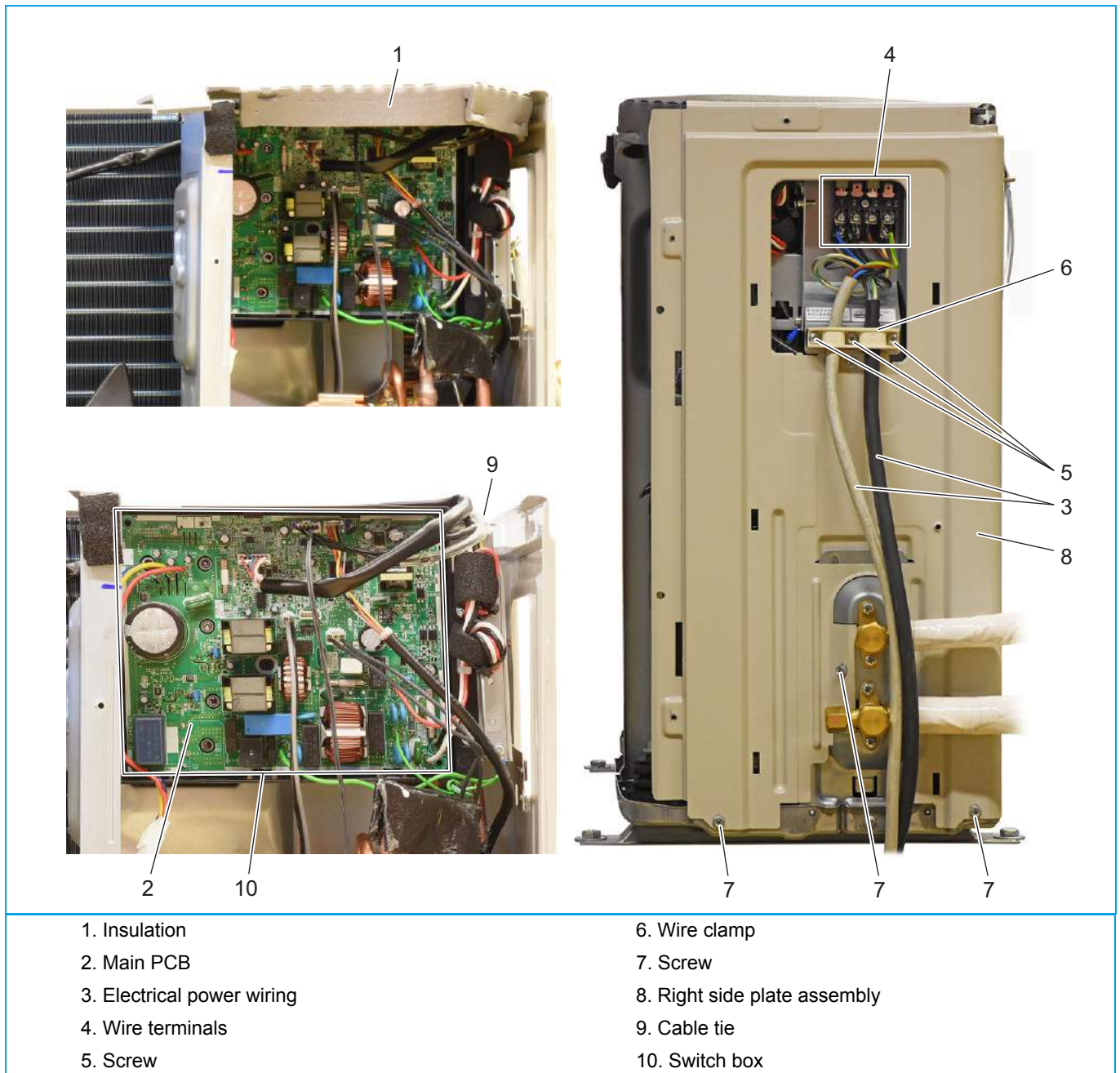
1. Remove the insulation (1).

**WARNING: RISK OF FIRE**

When reconnecting a connector to the PCB, do not apply force, as this may damage the connector or connector pins of the PCB.

2. Unplug all connectors from the main PCB (2), see ["Component checklist" on page 129](#).
3. Remove all electrical power wiring (3) from the wire terminals (4).
4. Remove the screws (5) that fix the wire clamp (6), remove the wire clamp (6).
5. Remove the screws (7) that fix the right side plate assembly (8).
6. Cut the cable tie (9).
7. Lift the switch box (10) from the Daikin unit.

Figure 3-11: Removing the switch box



Installation

1. Proceed in reverse order.

3.3.2.3. Replacing 4-way valve body


PRELIMINARY ACTIONS


1. Switch off the Daikin unit via the user interface.
2. Switch off the Daikin unit with the field supplied circuit breaker.
3. Recover the refrigerant, refer to "Recovery procedure" on page 61.
4. Remove plate work when required (refer to "Basic removal" on page 69).

PROCEDURE

Removal

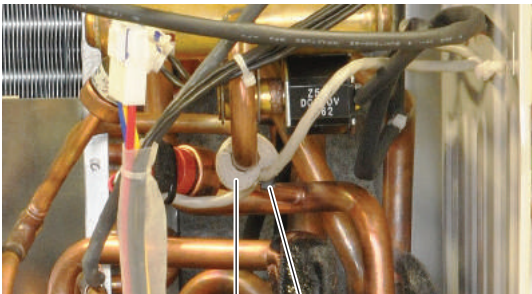
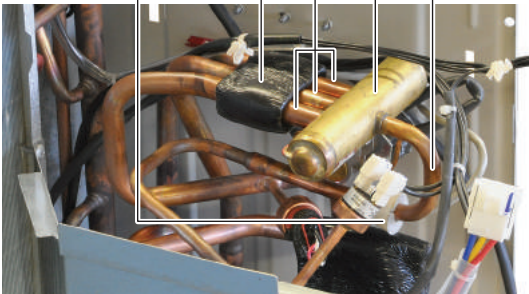
1. Remove any parts that block the way to the 4-way valve.

	<p>INFORMATION</p> <p>Follow local regulations and Daikin refrigerant repair procedures during the repair of your unit, refer to "Refrigerant repair procedures" on page 61.</p>
---	---


	<p>CAUTION</p> <p>The maximum applied Nitrogen pressure must not exceed 0.02 MPa.</p>
---	--

2. Cut the 4-way valve pipes (2).
3. Remove the 4-way valve (5).
4. Recuperate the putty (3).
5. Recuperate the insulation (4).

Figure 3-12: Removing the 4-way valve

	
<p>1. Tie wrap</p> <p>2. 4-way valve pipe</p> <p>3. Putty</p>	<p>4. Insulation</p> <p>5. 4-way valve</p>

Installation

	<p>WARNING</p> <p>Overheating the 4-way valve will damage or destroy it.</p>
---	---

1. Wrap a wet rag around the 4-way valve (5).

**INFORMATION**

Install the putty on the 4-way valve.

Install the compressor sound insulation in the same location.

2. Proceed in reverse order.

3.3.2.4. Replacing 4-way valve coil

PRELIMINARY ACTIONS

1. Switch off the Daikin unit via the user interface.
2. Switch off the Daikin unit with the field supplied circuit breaker.
3. Remove plate work when required.
4. Remove any part that block the way to the 4-way valve coil.

PROCEDURE

Removal

1. Loosen and remove the screw (1) that fixes the 4-way valve coil (2).
2. Cut the tie wraps that fix the 4-way valve coil wiring.

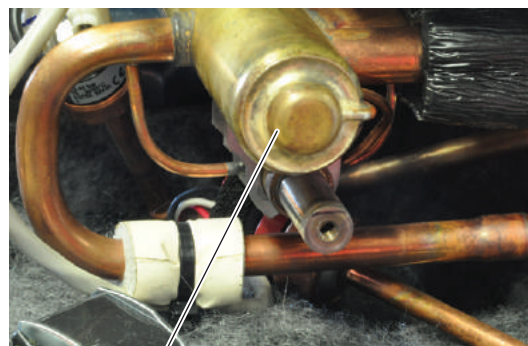
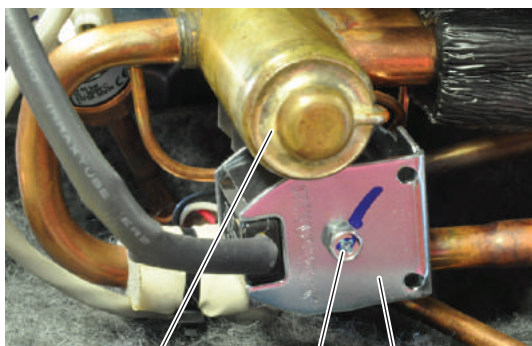


WARNING: RISK OF FIRE

When reconnecting a connector to the PCB, do not apply force, as this may damage the connector or connector pins of the PCB.

3. Unplug 4-way valve connector from PCB.

Figure 3-13: Removing the 4-way valve coil



1. Screw
2. 4-way valve coil

3. 4-way valve body

Installation

1. Proceed in reverse order.

3.3.2.5. Replacing compressor

PRELIMINARY ACTIONS

1. Switch off the Daikin unit via the user interface.
2. Switch off the Daikin unit with the field supplied circuit breaker.
3. Recover the refrigerant, refer to ["Recovery procedure" on page 61](#).
4. Remove plate work when required.
5. Remove any part that blocks the way to the compressor.

PROCEDURE



INFORMATION

Follow local regulations and Daikin refrigerant repair procedures during the repair of your unit, refer to ["Refrigerant repair procedures" on page 61](#).



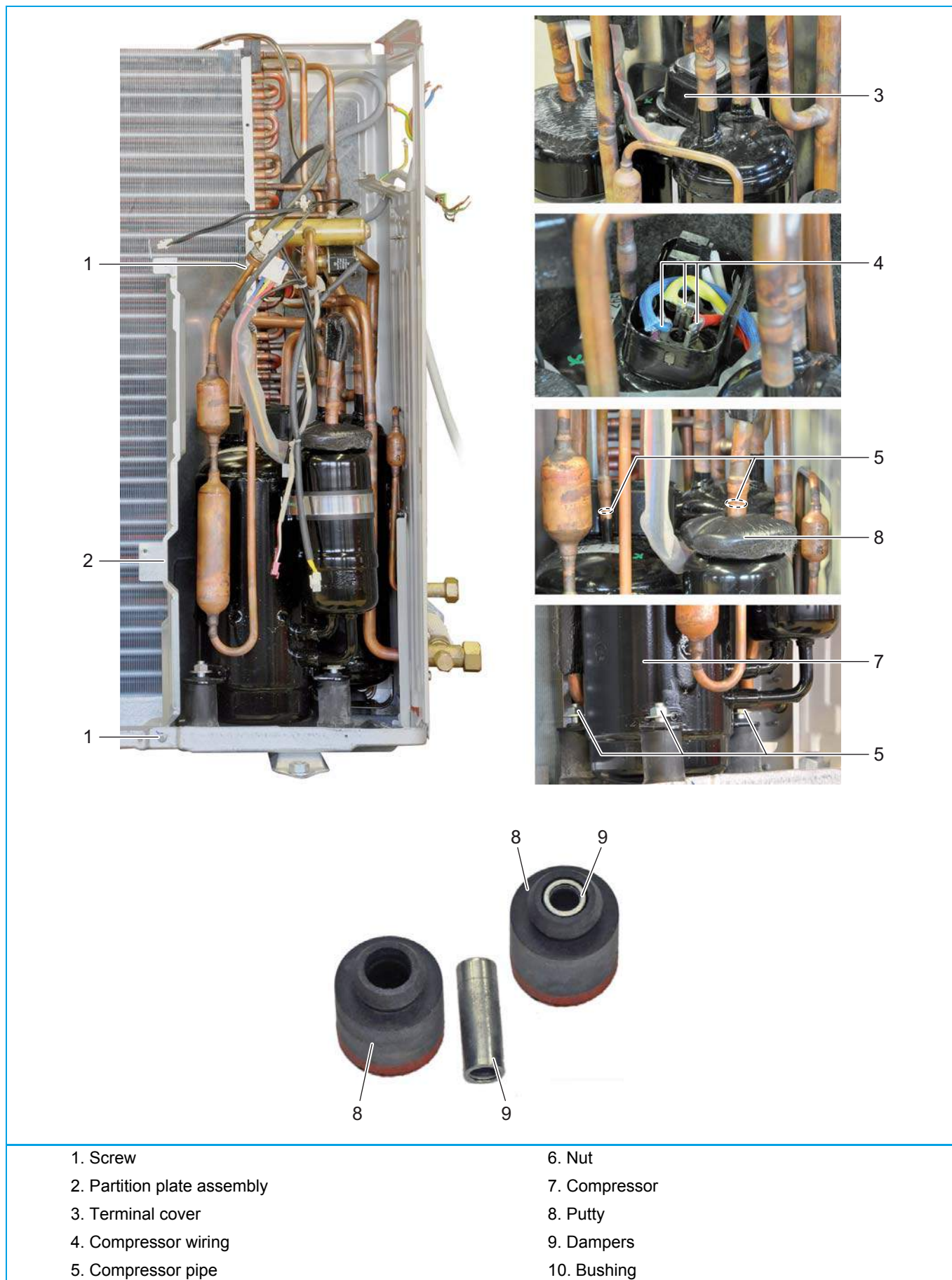
CAUTION

The maximum applied Nitrogen pressure must not exceed 0.02 MPa.

Removal





1. Remove the terminal cover (3) and unplug the compressor wiring (4) and take picture.
2. Using a pipe cutter, cut the compressor pipes (5) below the soldered joint.
3. Loosen and remove the 3 nuts (6) that fix the compressor (7).
4. Remove the compressor (7).
5. Remove the dampers (9) with bushings (10) from the compressor (7).
6. Recuperate the putty (8).

Figure 3-14: Removing the compressor



- | | |
|-----------------------------|---------------|
| 1. Screw | 6. Nut |
| 2. Partition plate assembly | 7. Compressor |
| 3. Terminal cover | 8. Putty |
| 4. Compressor wiring | 9. Dampers |
| 5. Compressor pipe | 10. Bushing |

Installation

	CAUTION The oil in the compressor is hygroscopic. Remove the caps from the compressor piping as late as possible.
	INFORMATION Before installing a new compressor, determine the cause of the compressor failure and take all required corrective actions.
	INFORMATION If the dampers are worn, replace the dampers. The bushings inside the dampers are recuperated for use with the new dampers.
	INFORMATION Install the putty on the compressor. Install the compressor sound insulation in the same location.

1. Check damper status, replace when worn.
2. First install the 3 (new) dampers (without the bushings) on the new compressor.
3. Install the 3 bushings in the dampers.
4. When installing the new compressor, remove the caps from the compression pipe and the suction pipe as late as possible.
5. When soldering the compressor pipes, cover the compressor pipes with a wet cloth to prevent overheating the compressor (and the oil in the compression pipe).
6. Proceed in reverse order.

3.3.2.6. Replacing DC fan motor assembly

PRELIMINARY ACTIONS

1. Switch off the Daikin unit via the user interface.
2. Switch off the Daikin unit with the field supplied circuit breaker.
3. Remove the propeller fan blade assembly, refer to ["Replacing propeller fan blade assembly" on page 86](#).

PROCEDURE

Removal

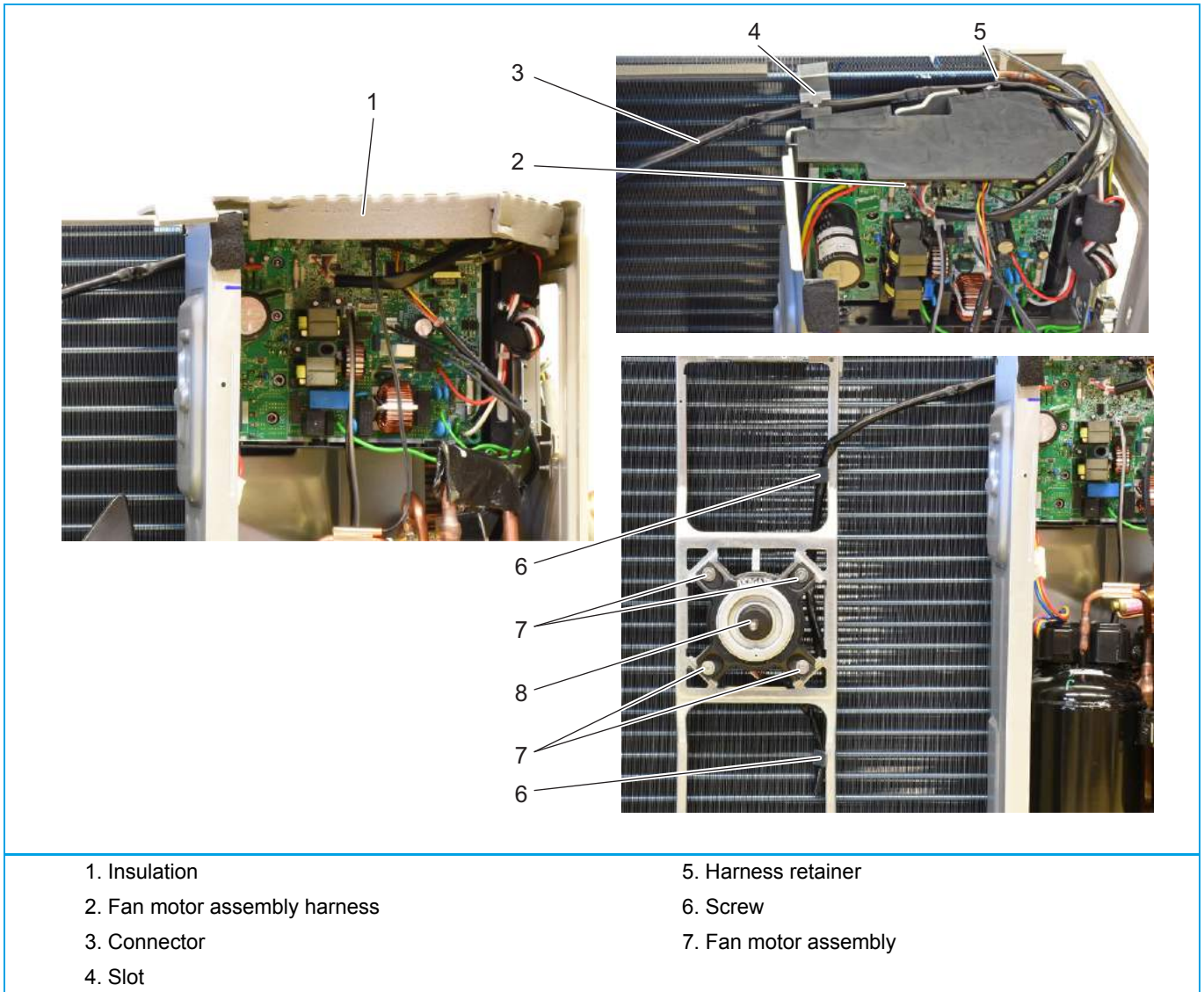
1. Remove the insulation (1) from the switch box.
2. Unplug the fan motor connector (3) from the main PCB.

**WARNING: RISK OF FIRE**

When reconnecting a connector to the PCB, do not apply force, as this may damage the connector or connector pins of the PCB.

3. Release the fan motor assembly harness (2) from the slot (4).
4. Slightly bend the harness retainers (5) to release the fan motor assembly harness (2).
5. Loosen and remove the screws (6) that fix the DC fan motor assembly (7).
6. Remove the DC fan motor assembly (7).

Figure 3-15: Removing the DC fan motor assembly



Installation

1. Proceed in reverse order.

3.3.2.7. Replacing expansion valve body

PRELIMINARY ACTIONS

1. Switch off the Daikin unit via the user interface.
2. Switch off the Daikin unit with the field supplied circuit breaker.
3. Remove the expansion valve motor, refer to ["Replacing expansion valve motor" on page 83](#).
4. Remove plate work when required.
5. Remove any part that block the way to the expansion valve body.

PROCEDURE



INFORMATION

Follow local regulations and Daikin refrigerant repair procedures during the repair of your unit, refer to ["Refrigerant repair procedures" on page 61](#).



CAUTION

The maximum applied Nitrogen pressure must not exceed 0.02 MPa.

Removal

1. Recuperate the putty (1).
2. Using a pipe cutter, cut the expansion valve body pipes (2).
3. Remove the expansion valve body (3).

Figure 3-16: Removing the expansion valve



1. Putty

2. Expansion valve pipe

3. Expansion valve

Installation



WARNING

Overheating the expansion valve body will damage or destroy it.

1. Wrap a wet rag around the expansion valve body (3).



INFORMATION

Install the putty on the expansion valve body piping.

2. Proceed in reverse order.

3.3.2.8. Replacing expansion valve motor

PRELIMINARY ACTIONS

1. Switch off the Daikin unit via the user interface.
2. Switch off the Daikin unit with the field supplied circuit breaker.
3. Remove plate work when required.
4. Remove any part that block the way to the expansion valve motor.

PROCEDURE

Removal

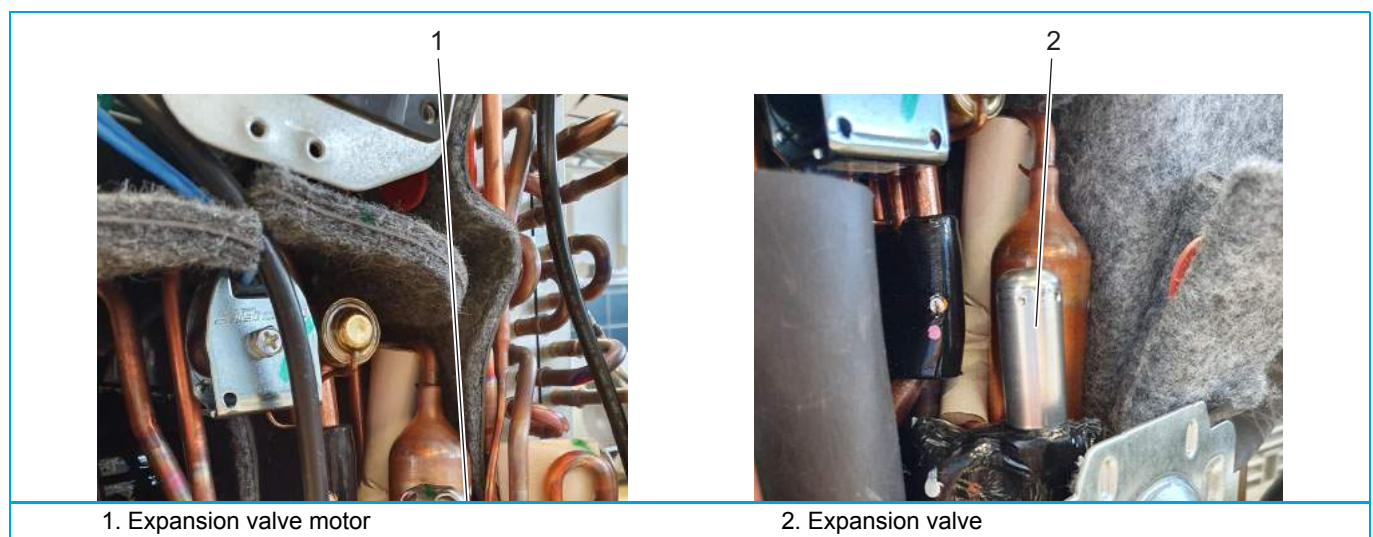


WARNING: RISK OF FIRE

When reconnecting a connector to the PCB, do not apply force, as this may damage the connector or connector pins of the PCB.

1. Remove the expansion valve motor (1) from the expansion valve body (2).
2. Unplug expansion valve motor connector from PCB.
3. Cut all tie wraps that fix the expansion valve motor (1) wiring.

Figure 3-17: Removing the expansion valve motor



Installation



INFORMATION

Replace all tie wraps that were cut during removal.

1. Proceed in reverse order.

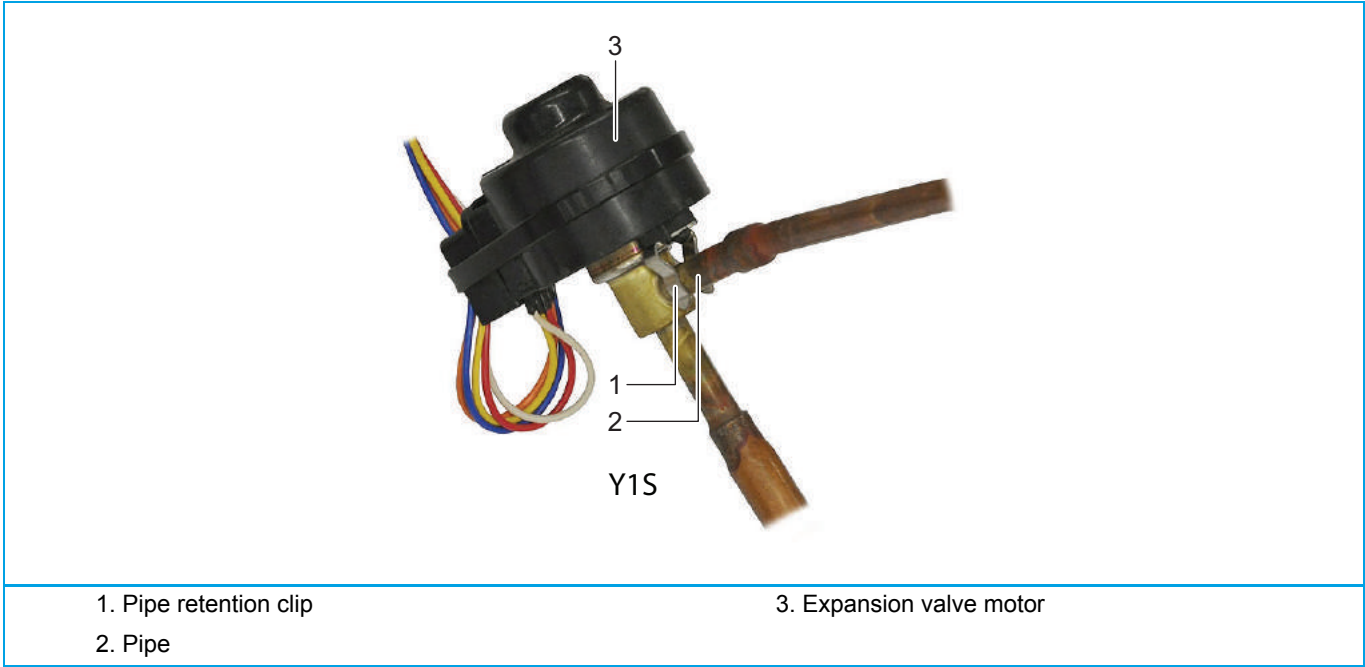


INFORMATION

The expansion valve motor (3) is equipped with a pipe retention clip (1). The pipe retention clip (1) must be placed over the pipe (2) to lock the expansion valve motor (3).

2. When installing the expansion valve motor (3), lock it on the expansion valve.

Figure 3-18: Locking the expansion valve motor



3.3.2.9. Replacing main PCB

PRELIMINARY ACTIONS

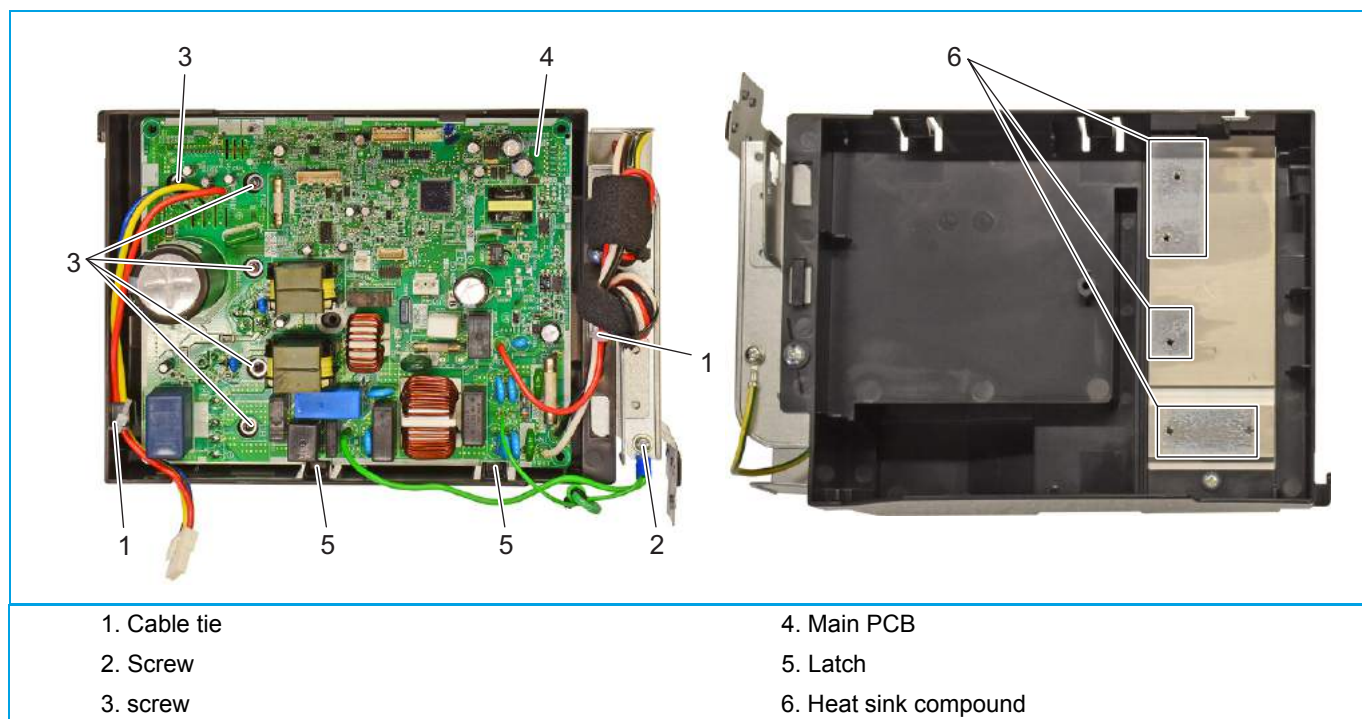
1. Switch off the Daikin unit via the user interface.
2. Switch off the Daikin unit with the field supplied circuit breaker.
3. Remove the switch box, refer to "[Replacing switch box](#)" on page 72.

PROCEDURE

Removal

1. Cut the 2 cable ties (1).
2. Loosen and remove the screw (2).
3. Loosen and remove the 5 screws (3).
4. Press the 2 latches (5) to unlock and remove the main PCB (4).

Figure 3-19: Removing the main PCB



Installation

1. Apply Heat sink compound (6) before joining the main PCB and the heat sink.
2. Proceed in reverse order.

3.3.2.10. Replacing propeller fan blade assembly

PRELIMINARY ACTIONS

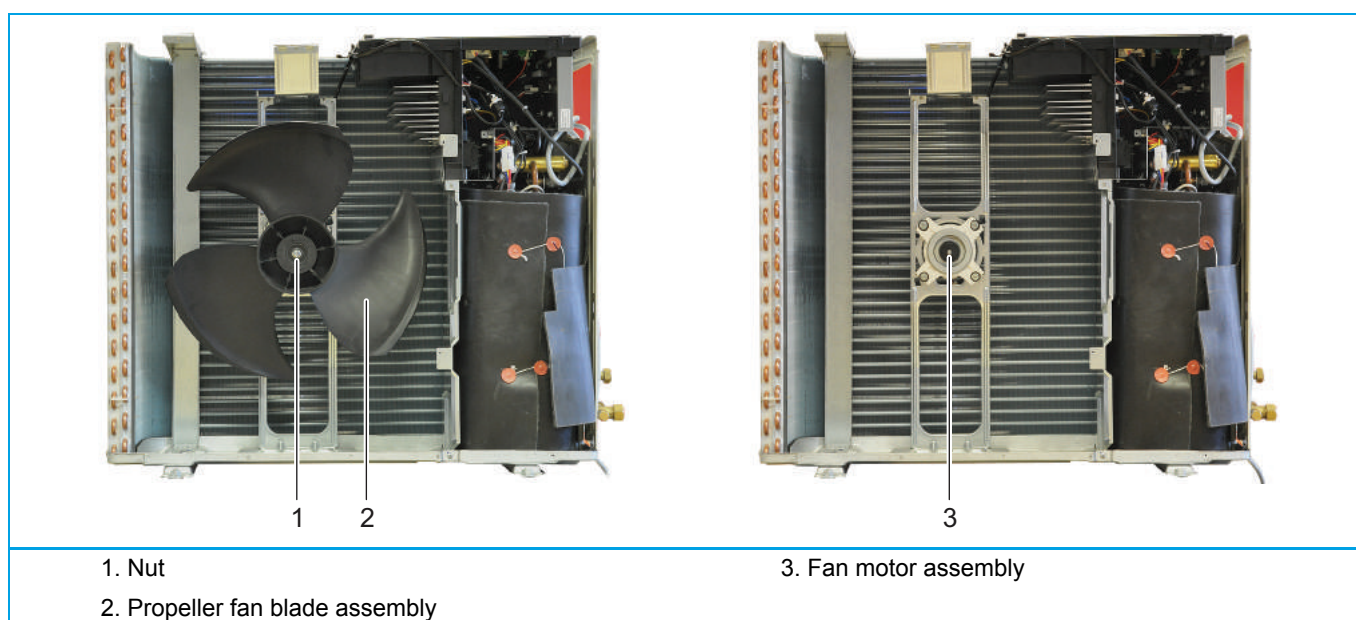
1. Switch off the Daikin unit via the user interface.
2. Switch off the Daikin unit with the field supplied circuit breaker.
3. Remove plate work when required.

PROCEDURE

Removal

1. Remove the nut (1) that fixes the propeller fan blade assembly (2).
2. Pull the propeller fan blade assembly (2) from the fan motor assembly (3).

Figure 3-20: Removing the propeller fan blade assembly



Installation



CAUTION

Do not install a damaged propeller.

1. Proceed in reverse order.

3.3.2.11. Replacing thermistors

PRELIMINARY ACTIONS

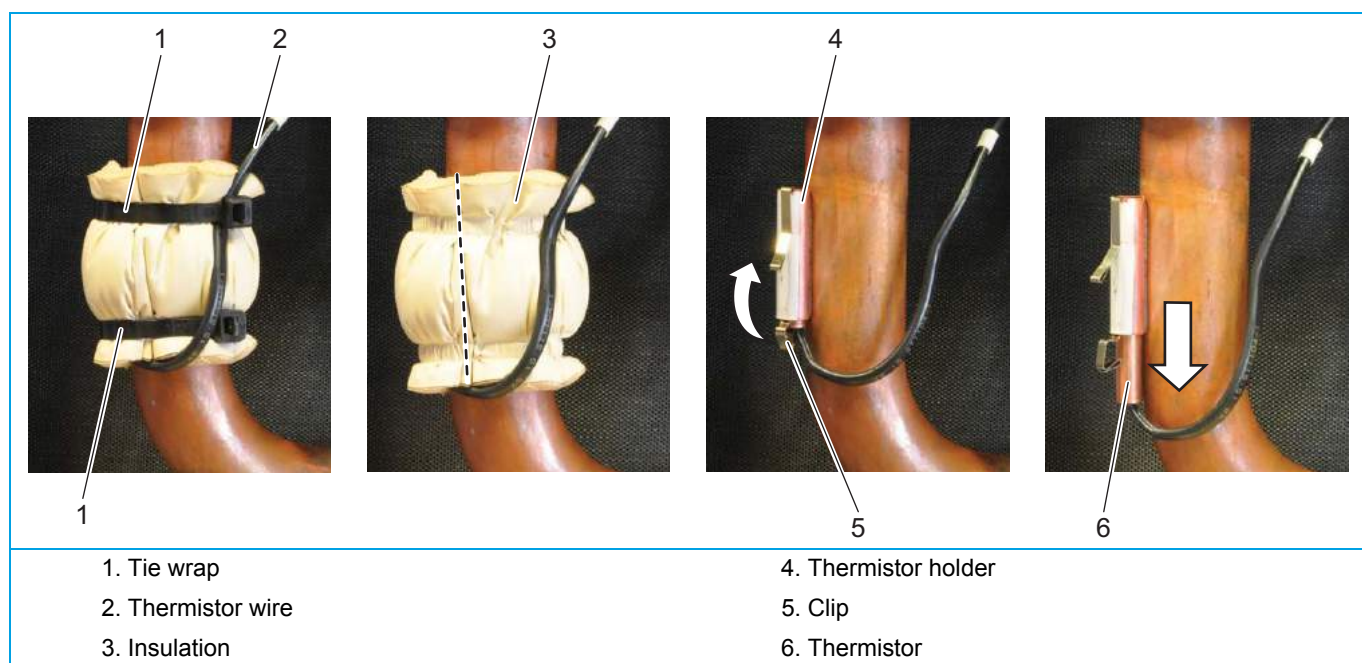
1. Switch off the Daikin unit via the user interface.
2. Switch off the Daikin unit with the field supplied circuit breaker.
3. Remove plate work when required, see "[Basic removal](#)" on page 69.

PROCEDURE

Removal

1. Locate thermistor that needs to be replaced, see "[Component checklist](#)" on page 129.
2. Cut the tie wraps (1) that fix the insulation (3) and the thermistor wire (2).
3. Cut the insulation (3) and remove it.
4. Pull the clip (5) that fixes the thermistor (6).
5. Remove the thermistor (6) from the thermistor holder (4).

Figure 3-21: Replacing a thermistor



Installation

1. Proceed in reverse order.

3.3.2.12. Setting test mode for inverter checker

3.3.2.12.1 For 2MXM outdoor units

Activate power transistor test operation from the indoor unit with the remote controller.

ARC466 Series

1. Turn the system on.
2. Select FAN operation with the [MODE] button on the remote controller.
3. Press the 3 buttons (TEMP▲, TEMP▼, MODE) simultaneously.
→ 5C is displayed.
4. Press the TEMP▲ or TEMP▼ button and select "7".
5. Press the [MODE] button.
→ Trial operation is activated
6. Press the [ON/OFF] button.
→ Power transistor test operation starts.

ARC452, ARC433 Series

1. Turn the system on.
2. Select FAN operation with the [MODE] button on the remote controller.
3. Press the 3 buttons (TEMP▲, TEMP▼, MODE) simultaneously.
→ 00 is displayed, the left digit is blinking
4. Press the [MODE] button.
→ 00 is displayed, the right digit is blinking.
5. Press the [MODE] button.
→ "7" is displayed
6. Press the [ON/OFF] button.
→ Power transistor test operation starts.

ARC480 Series

1. Press TEMP▲, TEMP▼ and OFF simultaneously.
2. Press TEMP▲.
3. Select "7".
4. Press FAN.
5. Press FAN ONLY to switch the system on.
→ Test run operation will stop automatically after about 30 minutes.
6. To stop operation, press OFF.

3.3.2.12.2 For 3 to 5 MXM outdoor units

Activate the power transistor test operation from the outdoor unit.


1. Press the forced cooling operation ON/OFF (push button SW1 on Service PCB) for 5 seconds, refer to ["Outdoor unit" on page 98](#).


Part 4. Maintenance

This part contains the following chapters:

Indoor unit	89
Outdoor unit.....	91

4.1. Indoor unit

	<p>WARNING</p> <p>Before performing any maintenance, power off the unit.</p>
---	---

	<p>INFORMATION</p> <p>After all checks are made, make sure the water and brine circuits are filled properly again and fluid pressures are in line with regulations (± 2 bar).</p>
---	--

4.1.1. General maintenance

1. Optimal operation conditions

	Cooling	Heating
Differential between suction temperature and discharge temperature	8~18°C	14~30°C
DB	27°C	20°C
WB	19°C	Not applicable

2. Correlation of air-conditioner's operation status, pressure and running current

COOLING	Low pressure	High pressure	Running current
Dirty air filter	Lower	Lower	Lower
Short circuit of air inlet/outlet	Lower	Lower	Lower
Air mixed in refrigerant	Higher	Higher	Higher
Water mixed in refrigerant	Lower*	Lower	Lower
Dirt mixed in refrigerant	Lower**	Lower	Lower
Refrigerant shortage (gas)	Lower	Lower	Lower
Unsatisfactory compression	Higher***	Lower	Lower


* Water in the refrigerant freezes inside the electronic expansion valve and is basically the same phenomenon as pump down.

** Dirt in the refrigerant clogs filters inside the piping and is basically the same phenomenon as pump down.

*** Pressure differential between high and low pressure becomes low.

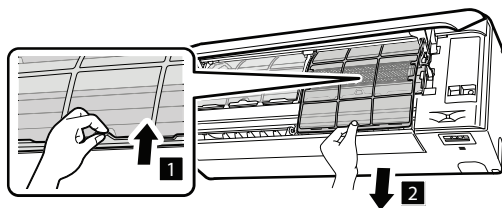
3. Clean the indoor heat exchanger (if necessary. Example: contaminated by cooking oil, ...).

- Use proper field supply cleaning agent which is suitable for cleaning heat exchangers and drain pans.
- Clearly follow the instructions of local supply cleaning agent and do not use household cleaning agents.
- Please rinse the heat exchanger and drain pan with water after the cleaning process. (*)

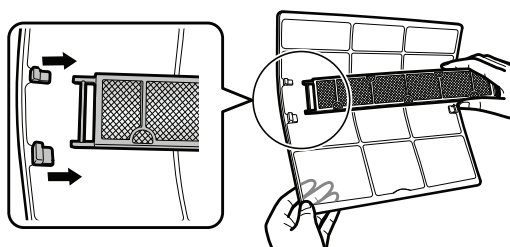
	<p>CAUTION</p> <p>* Rinse out the cleaning agent until there is no cleaning agent left. Otherwise, the corrosion of heat exchanger and drain pan may occur.</p> <p>Pay attention to the cleaning agent that may also corrode other materials of indoor unit (Aluminium, copper, plastic, ABS, ...).</p>
---	--

4.1.2. To clean the air filters

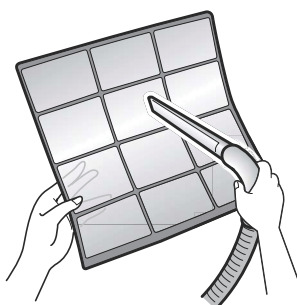
1. Push the tab at the center of each air filter, then pull it down.
2. Pull out the air filters.



3. Remove the titanium apatite deodorizing filter and silver particle filter from the tabs.



4. Wash the air filters with water or clean them with a vacuum cleaner.



5. Soak in lukewarm water for about 10 to 15 minutes.



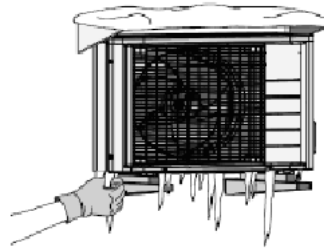
INFORMATION

- If the dust does NOT come off easily, wash them with a neutral detergent diluted in lukewarm water. Dry the air filters in the shade.
- It is recommended to clean the air filters every 2 weeks.

4.2. Outdoor unit

4.2.1. General maintenance outdoor unit

1. Outdoor unit coil
 - Straighten hair fins.
 - Clear coil from dust, leaves, etc. with a fin-comb, or compressed air/N2. Avoid bending or damaging of the Alu fins during the cleaning process.
 - Remove the icicles during winter season. Use gloves to avoid injury and unit damage.



CAUTION

Make sure not to bend the hair fins.

2. Correlation of air-conditioner's operation status, pressure and running current.

COOLING	Low pressure	High pressure	Running current
Dirty air filter	Higher	Higher	Higher
Short circuit of air inlet/outlet	Higher	Higher	Higher
Air mixed in refrigerant	Higher	Higher	Higher
Water mixed in refrigerant	Lower*	Lower	Lower
Dirt mixed in refrigerant	Lower**	Lower	Lower
Refrigerant shortage (gas)	Lower***	Lower	Lower

* Water in the refrigerant freezes inside the electronic expansion valve and is basically the same phenomenon as pump down.

** Dirt in the refrigerant clogs filters inside the piping and is basically the same phenomenon as pump down.

*** Pressure differential between high and low pressure becomes low.

- 1.

Part 5. Appendix

This part contains the following chapters:

Field setting	95
Wiring diagram	102
Piping diagram	116
Component overview of unit	128
Product specific information	129
Switch box	129
Field information report	130

5.1. Field setting

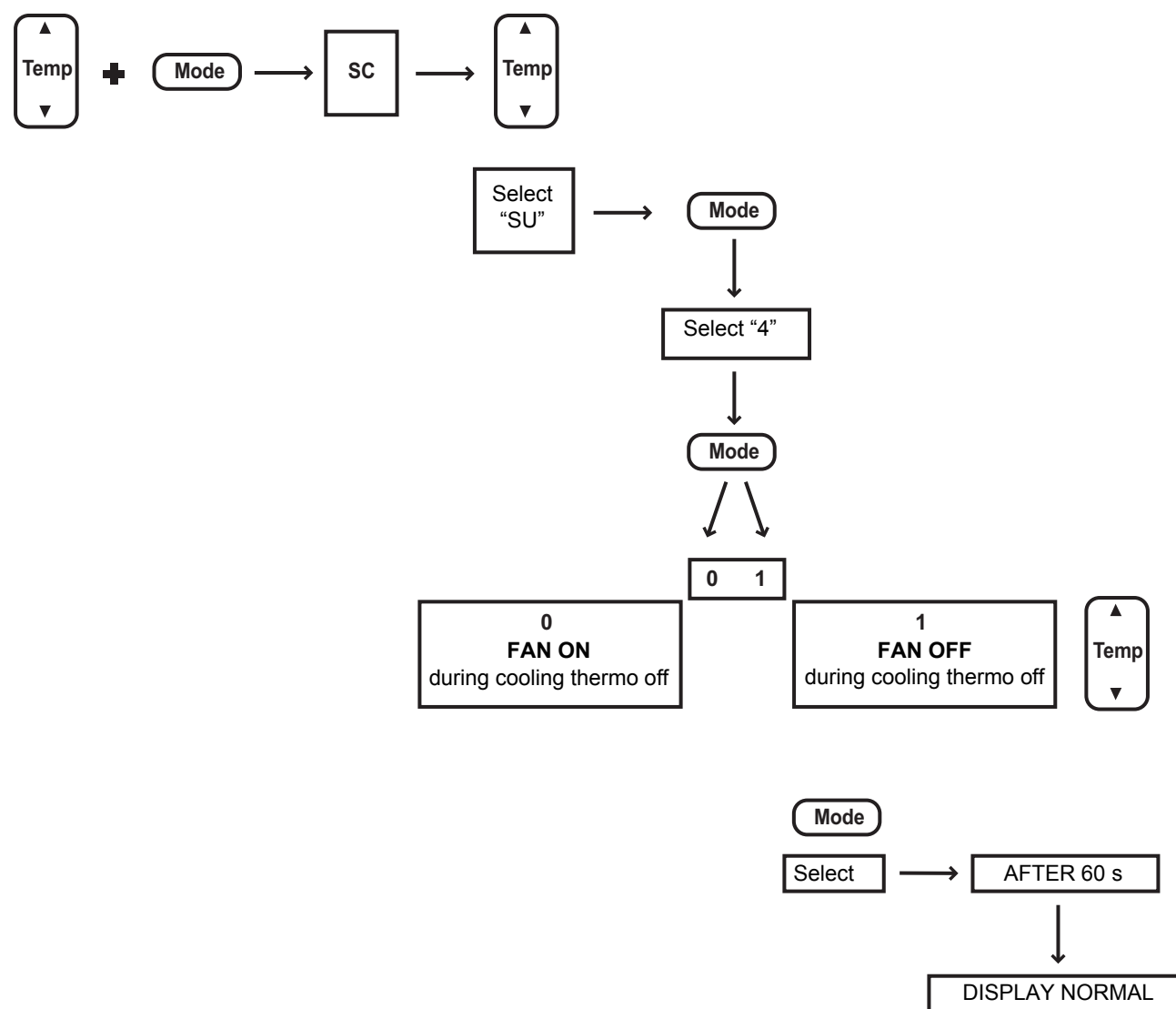
5.1.1. Indoor unit

5.1.1.1. Indoor fan control during thermostat off in cooling

Model: FTXM-M, ATXM-M (BMS) / Remote controller: ARC466A33

Software logic change for thermostat OFF is for cooling operation (to increase SEER) (for main stream models FTXM/CTXM).

Figure 5-1: How to change fan OFF to ON when in cooling thermo off



Model: FTXM-M, ATXM-M (BMS) / Remote controller: ARC480A53

Software logic change for thermostat OFF is for cooling operation (to increase SEER) (for main stream models FTXM/CTXM).

How to change fan OFF to ON when in cooling thermo off

1. Press TEMP▲, TEMP▼ and OFF simultaneously.
2. Press TEMP▲.
3. Select SU.
4. Press FAN to confirm.
5. Press TEMP▲.
6. Select "4".
7. Press FAN to confirm.
8. Press TEMP▲.
9. Select 0 (0: fan ON, 1: fan OFF).
10. Press FAN to confirm.

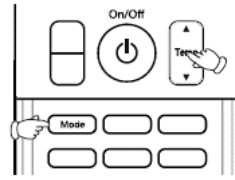
Model FTX25/35KM does not have remote controller which has such service mode.

Change fan on/off by remote controller (ARC480A11) in service mode.

1. Normal operation on remote controller.
2. Press "temperature (upper/lower) button" with "off button" in same timing (→ go to "SC" service mode).
3. Press "temperature button" (→ "SC → A → 7 → SU" rotation = segment 1), select SU and press "fan button" as decision (→ number is displayed at the lower left).
4. Press "temperature button" (→ 1~10), select 4 and press "fan button" as decision (→ number is displayed at the lower right).
5. Press "temperature button" (→ 0~1), select 0 and press "fan button" as decision (0: fan ON, 1: fan OFF).

5.1.1.2. Brightness setting of multi-coloured lamp of the indoor unit

1. Press TEMP and MODE buttons simultaneously.
2. SC is displayed on the screen.
3. Select L (light) with TEMP buttons up or down.
4. Press MODE button to enter brightness setting mode.
5. Press TEMP up or down to adjust brightness to L (low), H (high) or OFF.
6. Press MODE button again for 5 seconds to exit.



5.1.1.3. ON/OFF button on the indoor unit

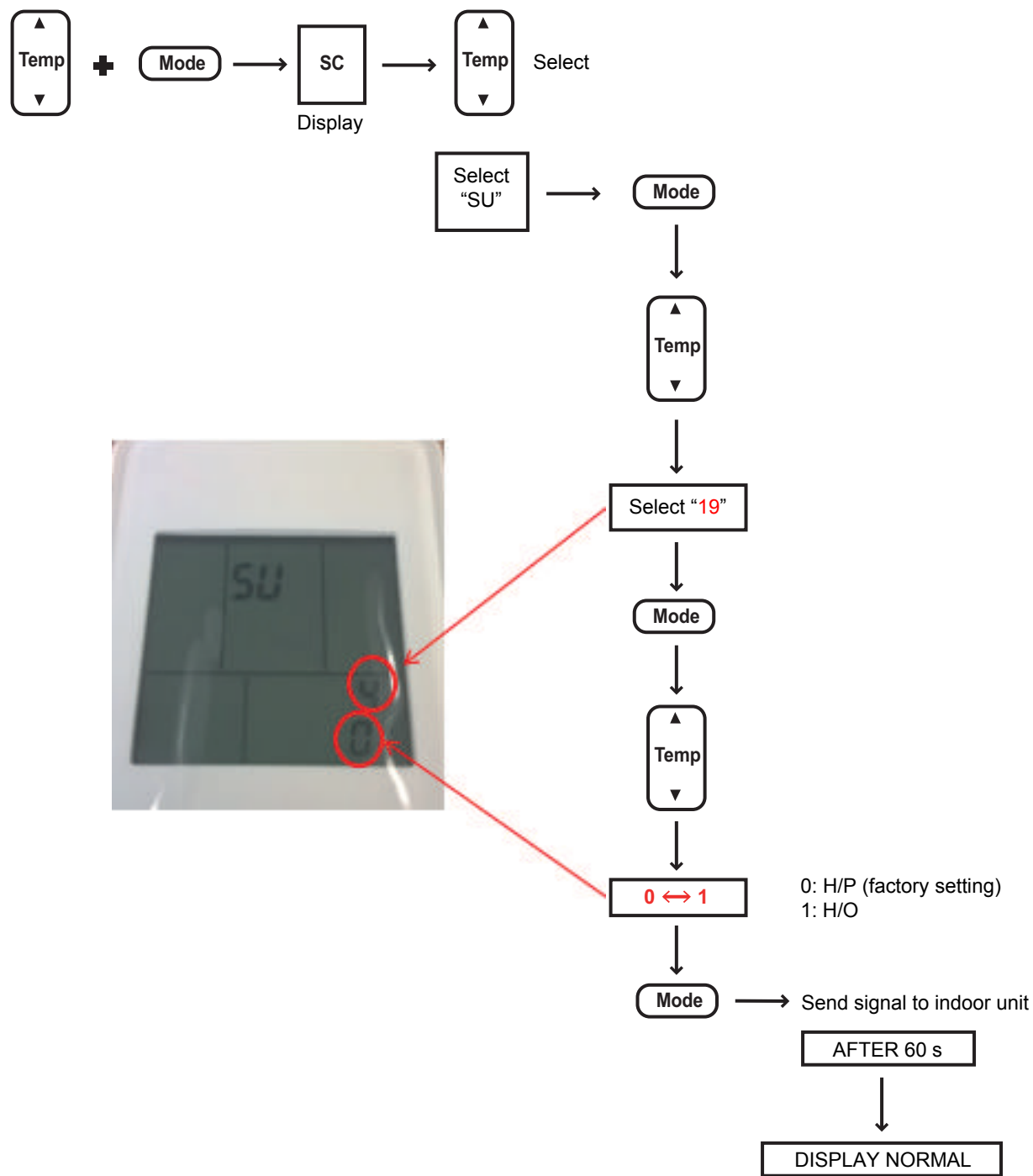
1. Shortly press ON/OFF button indoor: auto, 25°C, auto fanspeed. To de-activate: shortly press ON/OFF again.
2. Press ON/OFF button indoor 5-9 seconds: forced operation mode = forced cooling. To de-activate: press again for 10 seconds.

5.1.1.4. Heat only mode

1. Please stop unit before setting.
2. How to switch H/O mode.

Remote controller: ARC466A33/ARC466A58

Figure 5-2: Heat only mode



5.1.1.5. Auto restart ON/OFF

Remote controller: ARC480A53

1. Press TEMP▲, TEMP▼ and OFF simultaneously.
2. Press TEMP▲.
3. Select SU.
4. Press FAN to confirm.
5. Press TEMP▲.
6. Select "10".
7. Press FAN to confirm.
8. Press TEMP▲.
9. Select 0 (0: fan ON, 1: fan OFF).

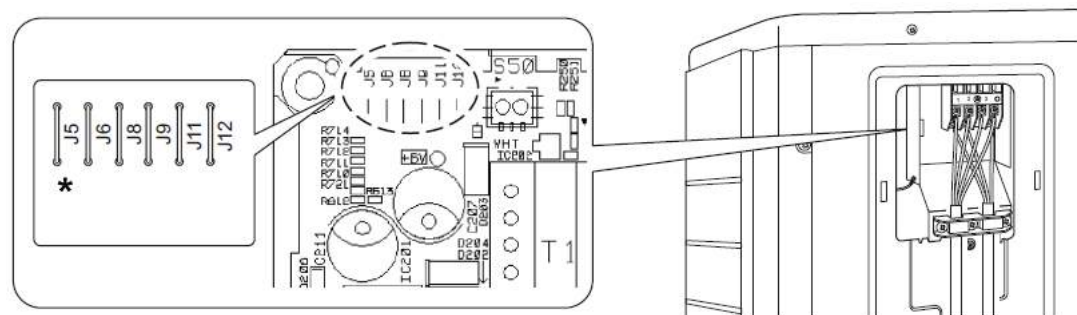
5.1.2. Outdoor unit

5.1.2.1. Facility setting for outdoor split units

This function is designed for facilities such as equipment or computer rooms. It is never to be used in a residence or office where people occupy the space.

Cutting jumper 6 (J6) on the circuit board will expand the operation range down to -15°C. However it will stop if the outdoor temperature drops below -20°C and start back up once the temperature rises again.

Figure 5-3: Jumper settings



* Cut J6 with nippers or a similar tool

Other jumper settings

J5: No function for this unit.

J8: Cold region setting (changing the operating range from -10°C to -15°C).

J9: No function for this unit.

J11: Protection for error memory overwrite (only to be used during development).

J12: No function for this unit.

5.1.2.2. Multi split outdoor

5.1.2.2.1 Wiring error check

This product is capable of automatic correction of wiring error.

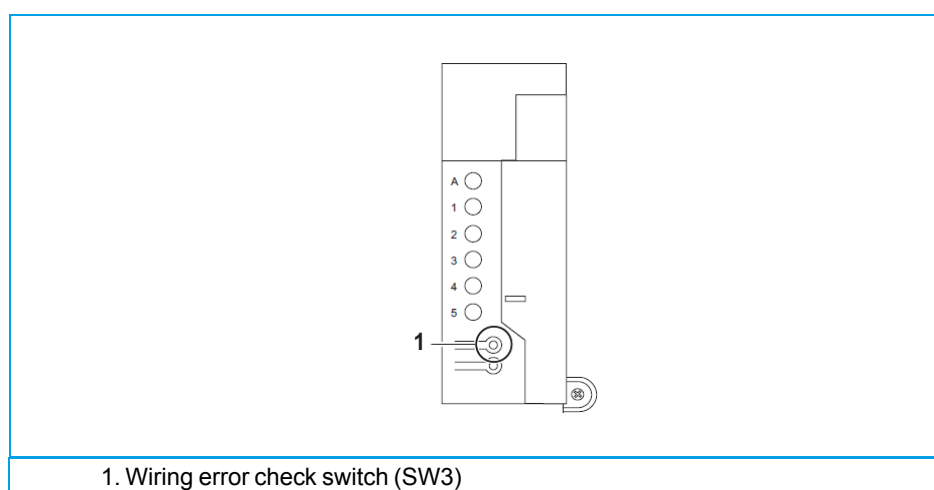
Shortly press the “wiring error check switch” on the outdoor unit service PC board. However, the wiring error check switch will not function for 3 minutes after the safety breaker is turned on; or depending on the outside air conditions (see note 2). About 15 - 20 minutes after the switch is pressed, the errors in the connection wiring will be corrected.

Shortly press the “wiring error check switch” again for cancellation. Wiring error check is not possible after cancellation. The safety breaker has to turn off and turn on again to restart wiring error check.

If self-correction is not possible, check the indoor unit wiring and piping in the usual manner.

LED	1	2	3	4	5	Message
Status	All flashing (simultaneously)					Autonomic correction impossible
	Flashing (on after another)					Autonomic correction completed
	⊛ (one or more LEDs 1 to 4 are ON)					Abnormal stop (note 4)

Figure 5-4: Service PC board wiring error check switch location

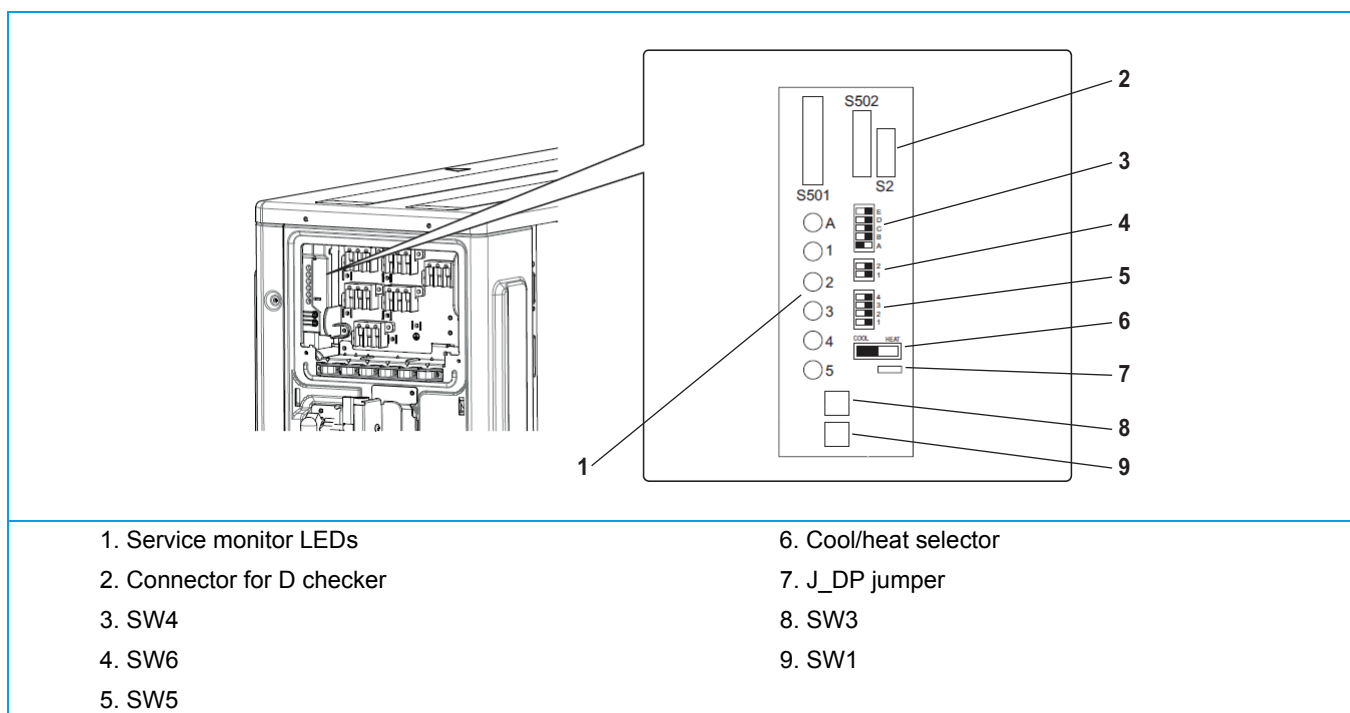


Note

- For two rooms, LED3, 4 and 5 are not present, and for three rooms, LED4 and 5 are not present, and for four rooms LED 5 is not present.
- If the outside air temperature is 5°C or less, the wiring error check function will not operate.
- After wiring error check operation is completed, LED indication will continue until ordinary operation starts. This is normal.
- Follow the product diagnosis procedures (details of product error diagnosis are listed on the back of the right side plate).

5.1.2.2.2 Dip switch settings

Figure 5-5: Dip switch location



SW1	<p>Forced operation</p> <ul style="list-style-type: none"> In combination with the cool/heat selector switch the unit can be started in cooling or heating. Is also used to activate the inverter checker mode.
SW3	Cross wiring check (figure 5-5 on page 99).
J_DP jumper	Not used.
Cool/heat selector	<ul style="list-style-type: none"> Used in combination with the SW1. Must be set in cooling for pump down operation.
SW4	<p>Priority room setting.</p> <p>The indoor unit for which priority room setting is applied takes priority in the following cases.</p> <p>1-1 Operation mode priority</p> <p>The operation mode of the indoor unit which is set for priority room setting takes priority. If the set indoor unit is operating, all other indoor units do not operate and enter standby mode, according to the operation mode of the set indoor unit.</p> <p>1-2 Priority during high-power operation</p> <p>If the indoor unit which is set for priority room settings is operating at high power, the capabilities of other indoor units will be somewhat reduced. Power supply gives priority to the indoor unit which is set for priority room setting.</p> <p>1-3 Quiet operation priority</p> <p>Setting the indoor unit to quiet operation will make the indoor unit run quietly.</p> <p>Setting procedure</p> <p>Slide the switch to the ON side for the switch that corresponds to the piping connected to the indoor unit to be set (in the figure below, it is room A).</p> <p>BE SURE TO SET ONLY ONE ROOM.</p>
SW5	<p>SW5-1 Heat mode lock</p> <ul style="list-style-type: none"> This setting will force the unit to only operate in heating. <p>SW5-2: not used</p> <p>SW5-3: cold region setting for increased max. Hz at low ambient</p> <p>SW5-4: cold region setting for defrost change</p>
SW6	<p>SW6-1 Night quiet mode</p> <p>About Night Quiet Mode</p> <p>The Night Quiet Mode function reduces operating noise of the outdoor unit at night time. This function is useful if the customer is worried about the effects of the operating noises on the neighbours.</p> <p>SW6-2</p> <ul style="list-style-type: none"> Not used.

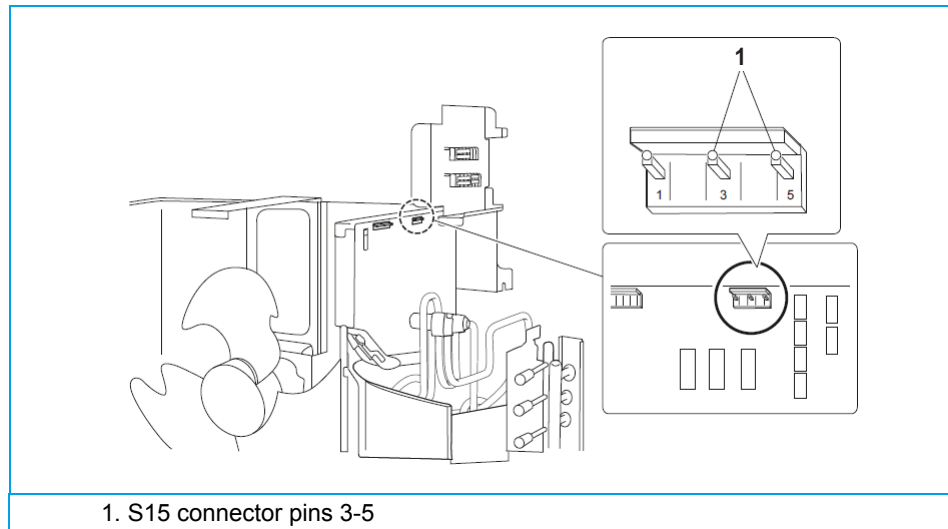
5.1.2.2.3 Cool mode lock

1. Use the S15 connector to set the unit to cool only.
Short-circuit pins 3 and 5 of the connector S15 to set to only cool (C).

The following specifications apply to the connector housing and pins.

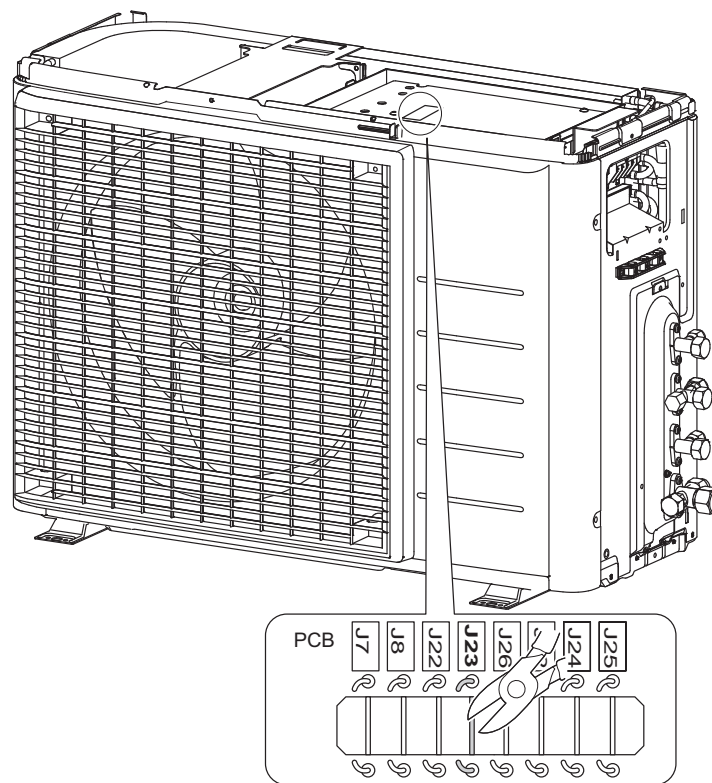
- ST products Housing: VHR-5N
- Pin: SVH-21T-1,1

Figure 5-6: S15 connector location




5.1.2.2.4 Multi Split outdoor jumper settings

Figure 5-7: Jumper location



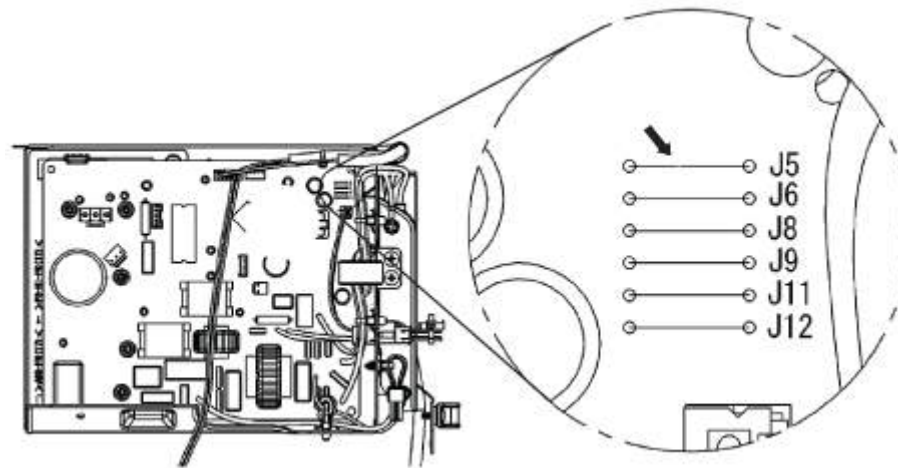
J7	Night quiet mode setting
J8	Not used
J12	Cold region setting for defrost change
J22	Not used
J23	Econo mode prohibition setting
J24	Not used
J25	Not used
J26	Cold region setting for increased max. Hz at low ambient

5.1.2.3. Reducing maximum sound levels

	<p>INFORMATION</p> <p>ONLY applicable for RXJ20~35M9 unit.</p>
---	---


If the sound level CANNOT meet the local regulation (e.g. Netherlands), the maximum sound level can be reduced by cutting J5 jumper on the main PCB of the outdoor unit.

Figure 5-8: Cutting J5 jumper



Field setting	Sound level reduction	To be used at ...
Cut J5 jumper	1 dB	Day
J5 jumper + ECONO mode activated via remote controller	2 dB ^(a)	Night

^(a) If this field setting is done, the maximum sound level will be 2 dB lower than the maximum sound level during normal night operation (unit without this field setting and with outdoor unit quiet operation activated). So when this field setting is done on the unit, it is NOT needed to activate the outdoor unit quiet operation to meet the local regulation.

	<p>INFORMATION</p> <p>New setting may affect the performance of the unit.</p>
---	--

5.1.3. Remote controller

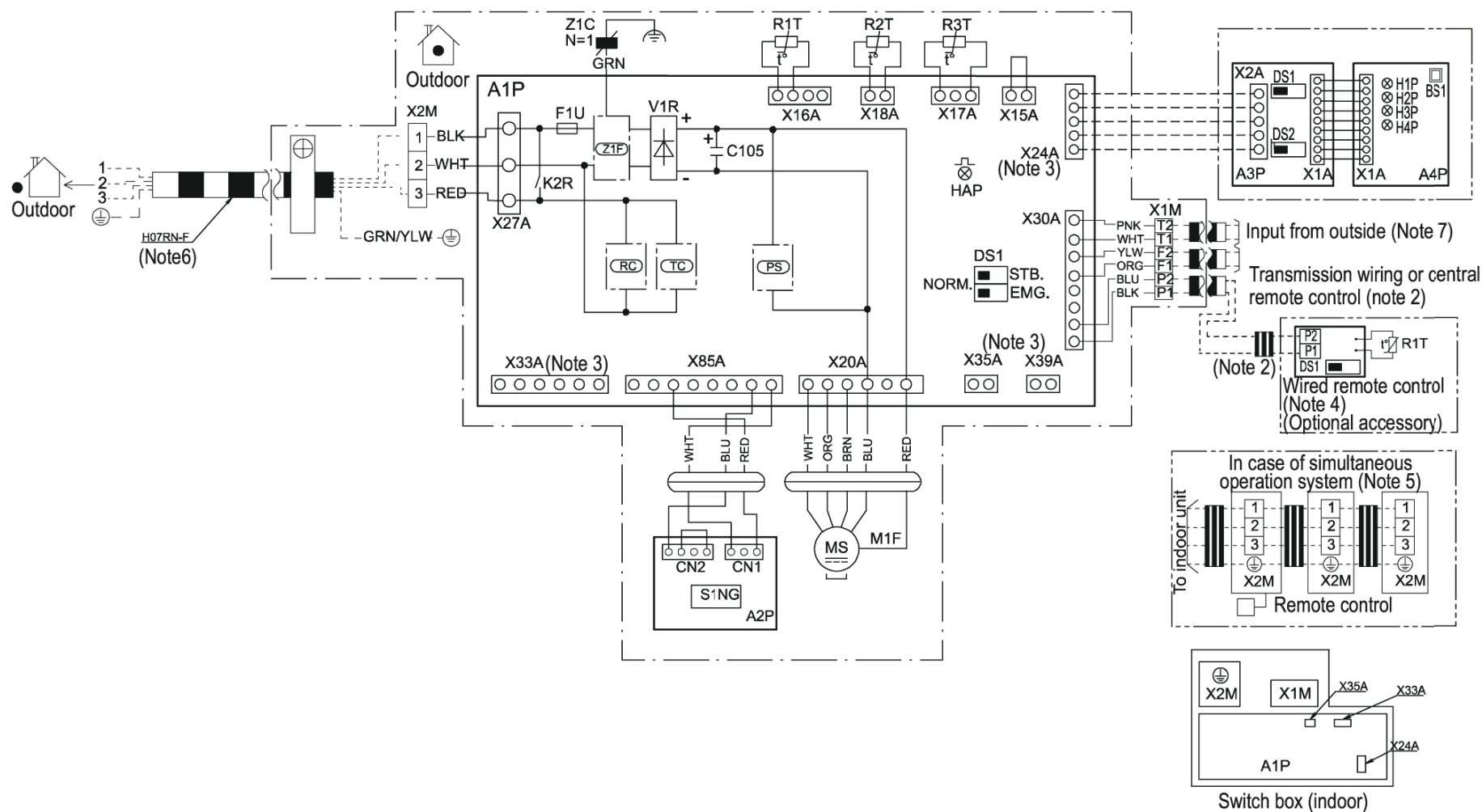
Not applicable.

5.2. Wiring diagram

5.2.1. Indoor unit

5.2.1.1. FNA-A

Figure 5-9: Wiring diagram - indoor unit FNA-A



Indoor unit		Z1F	Noise filter
A1P	Printed circuit board	Receiver/display unit	
A2P	Gas sensor board	A3P	Printed circuit board
C105	Capacitor	A4P	Printed circuit board
F1U	Fuse (F, 3.15A, 250V)	H1P	Light emitting diode (on-red)
K2R	Magnetic relay	H2P	Light emitting diode (filter sign-red)
PS	Power supply circuit	H3P	Light emitting diode (timer-green)
RC	Receiving circuit	H4P	Light emitting diode (defrost-orange)
TC	Transmission circuit	DS1	Selector switch (main/sub)
HAP	Light emitting diode (service monitor-green)	DS2	Selector switch (wireless address set)
M1F	Motor (fan)	BS1	Push button (on/off)
R1T	Thermistor (air)	Connector for optional parts	
R2T, R3T	Thermistor (coil)	X24A	Connector (infrared remote control)
DS1	Selector switch (emergency)	X33A	Connector (adapter for wiring)
V1R	Diode bridge	X35A	Connector (adapter power supply)
X1M	Terminal strip (control)	Wired remote control	
X2M	Terminal strip (power supply)	R1T	Thermistor (air)
Z1C	Ferrite core (noise filter)	SS1	Selector switch (emergency)

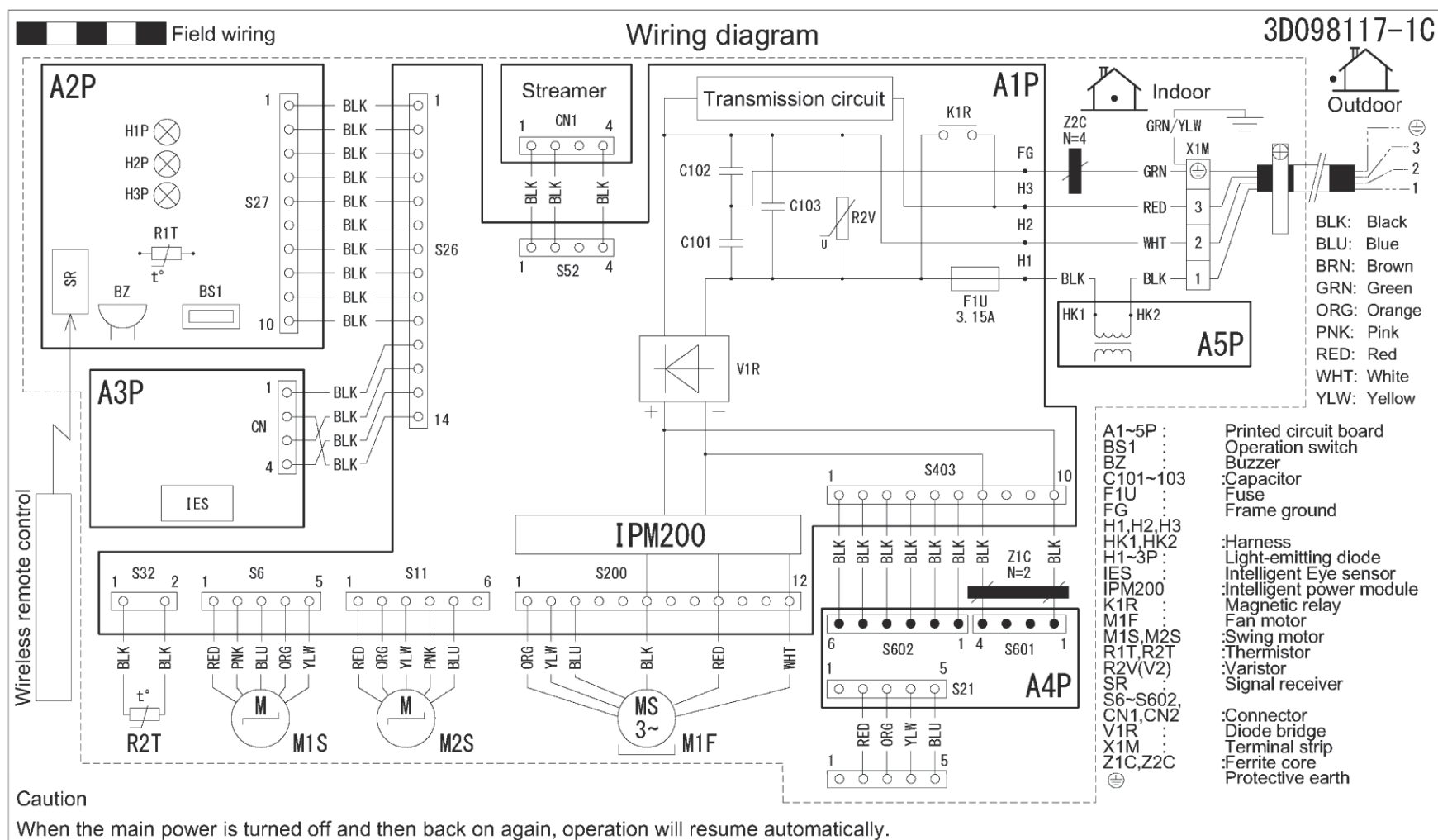
NOTES

1. : terminal block, : connector, : field wiring, : wire clamp, : protective earth (screw)
2. In case using central remote control, connect it to the unit in accordance with the attached installation manual.
3. X24A, X33A, X35A, X39A are connected when the optional accessories are being used.
4. For change over of BRC1E type main/sub refer to manual attached to remote control.
5. Show only in case of protected pipes. Use H07RN-F in case of no protection.
6. When connecting the input wires from outside, forced off or on/off control operation can be selected by the remote control, see manual for detail.
7. Colors: BLK: Black, RED: Red, BLU: Blue, WHT: White, PNK: Pink, YLW: Yellow, GRN: Green, BRN: Brown

3D111023

5.2.1.2. FTXM20-42M, FTXM20-42N, CTXM-M, CTXM-N, ATXM20-35M, ATXM20-35N

Figure 5-10: Wiring diagram - indoor unit FTXM20-42M, FTXM20-42N, CTXM-M, CTXM-N, ATXM20-35M, ATXM20-35N



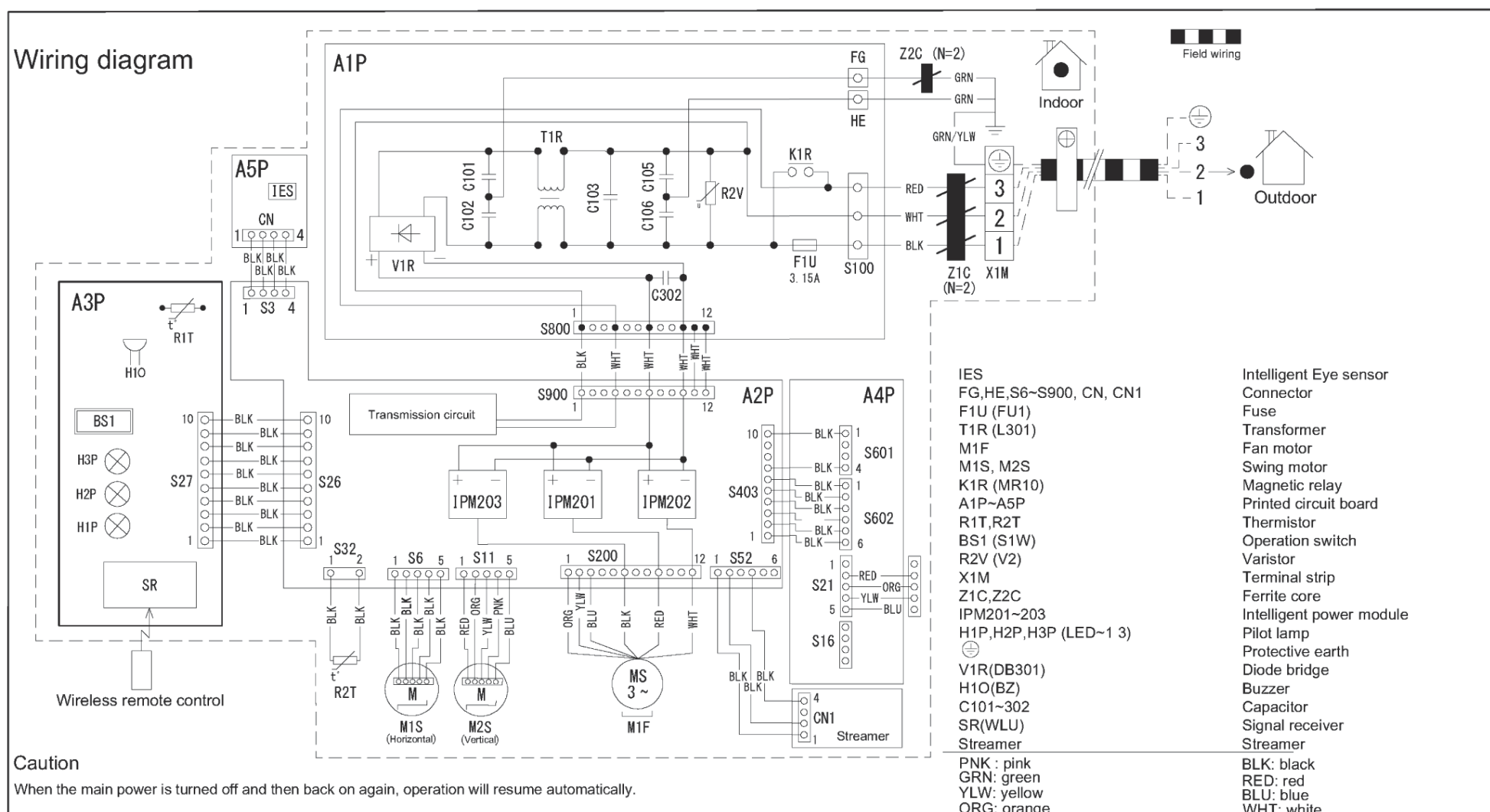
Notes

- 1) Size: length ·70· X width ·120·.
- 2) Refer to purchasing specification ·AS303002·, unless otherwise specified.

3D098117D

5.2.1.3. FTXM50-71M, FTXM50-71N, ATXM50M, ATXM50N

Figure 5-11: Wiring diagram - indoor unit FTXM50-71M, FTXM50-71N, ATXM50M, ATXM50N



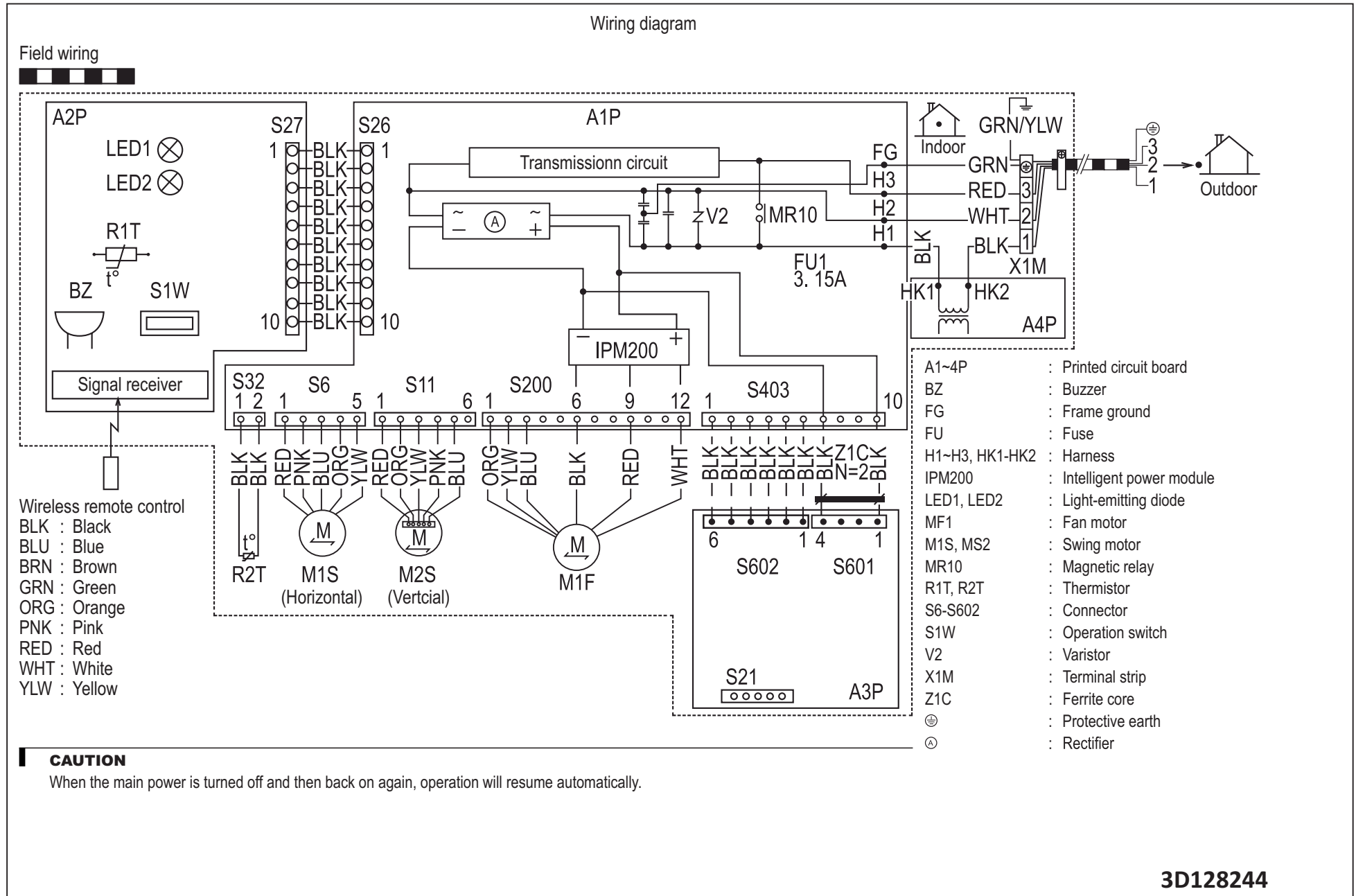
NOTES:

1. Size: length ·65· X width ·110·.
2. Refer to purchasing specification ·AS303002·, unless otherwise specified.

3D100231B

5.2.1.4. FTXM20-35M9

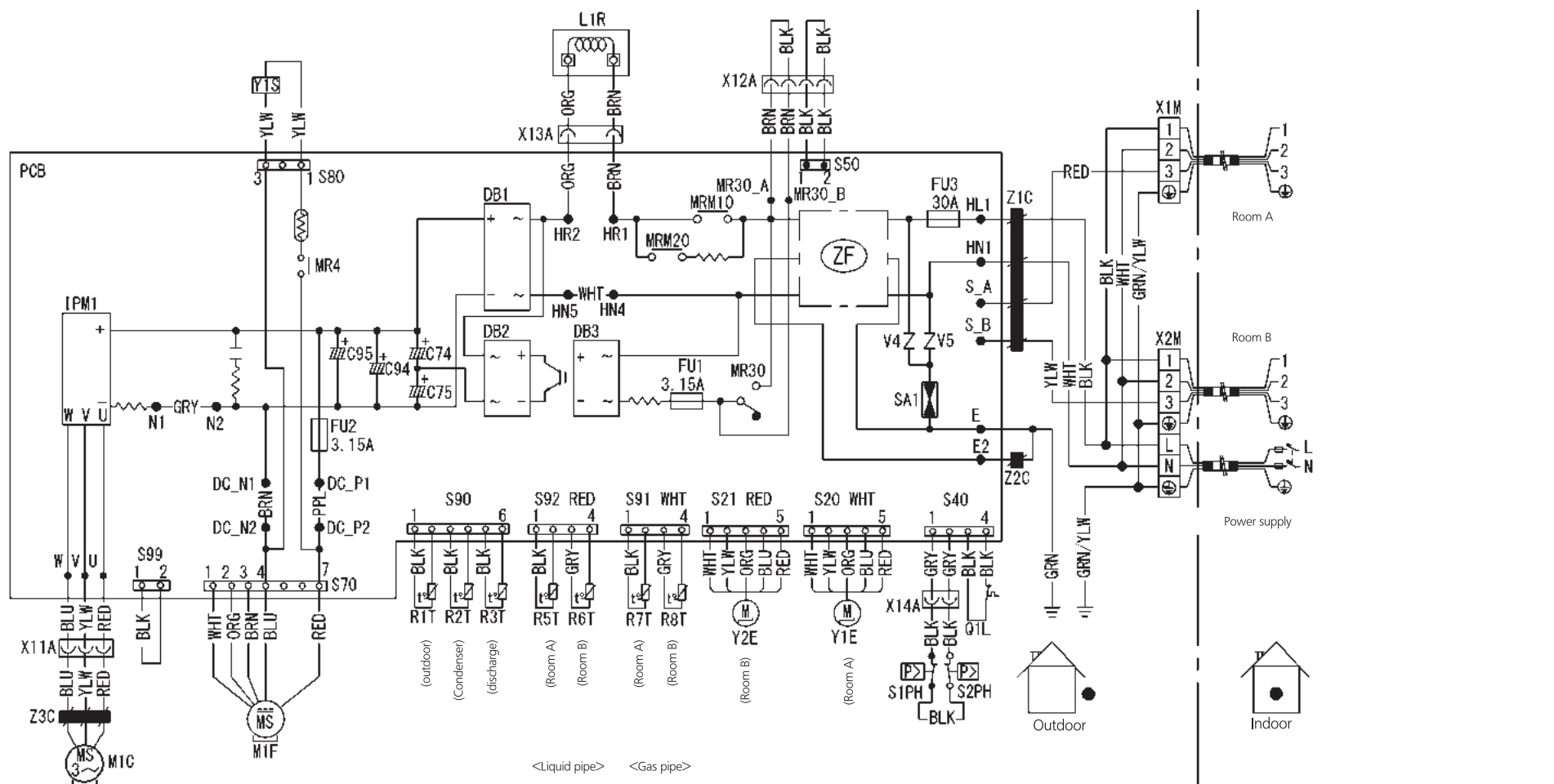
Figure 5-12: Wiring diagram - indoor unit FTXM20-35M9



5.2.2. Outdoor unit

5.2.2.1. 2MXM50M9

Figure 5-13: Wiring diagram - outdoor unit 2MXM50M9



- C74, C75, C94, C95 : Capacitor
- DB1, DB2, DB3 : Diode bridge
- FU1, FU2, FU3 : Fuse
- IPM1 : Intelligent power module
- LR1 : Reactor
- M1C : Compressor motor
- M1F : Fan motor
- MR4, MR30 : Magnetic relay

- PCB : Printed circuit board
- Q1L : Overload protector
- R1T-R8T : Thermistor
- SA1 : Surge absorber
- S1PH, S2PH : High pressure switch
- V4, V5 : Varistor
- X1M-X2M : Terminal strip with earth terminal
- Y1E-Y2E : Electronic expansion valve coil
- Y1S : Reversing solenoid valve coil

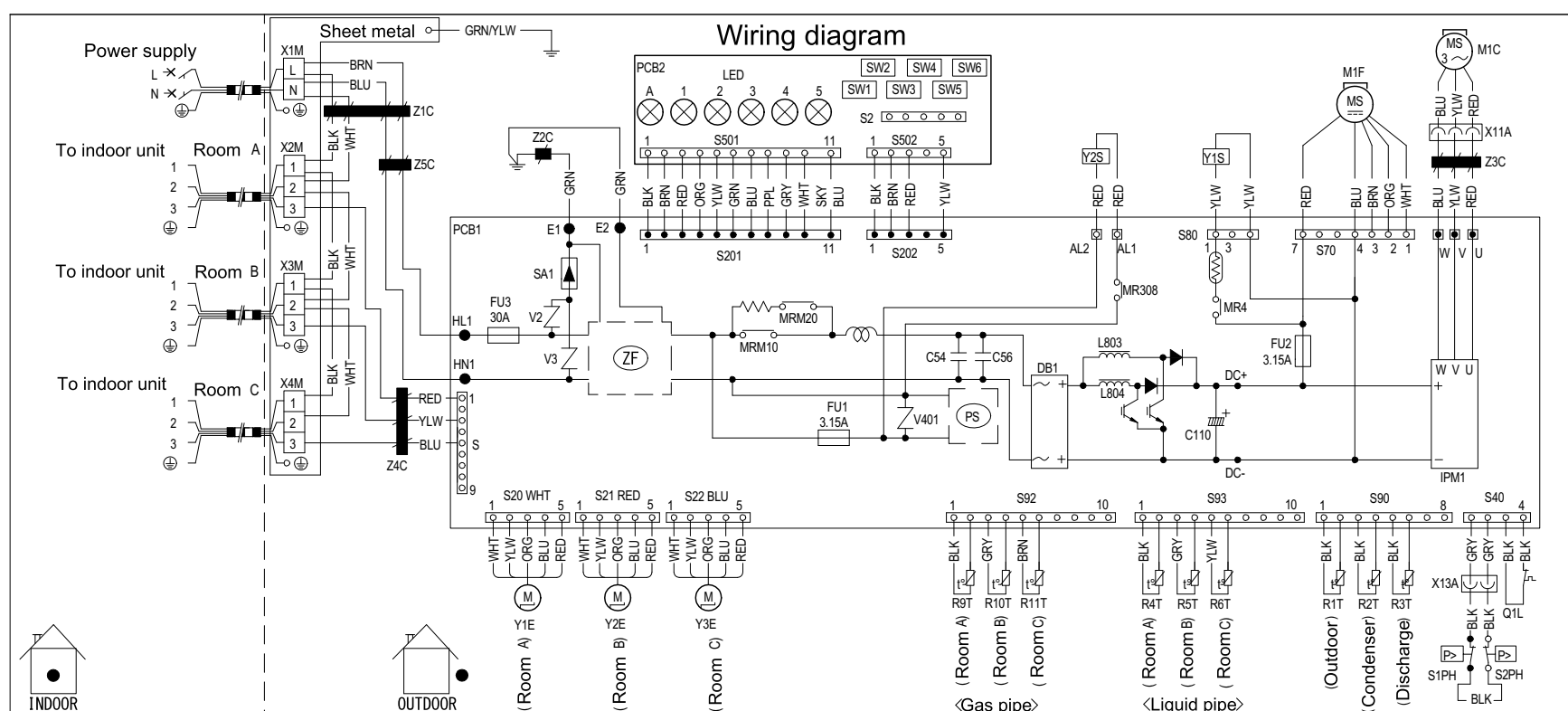
- ZF : Noise filter
- Z1C-Z3C : Ferrite core
- S2-S502, U, V : Connector
- W, X11A-X13A : Connector
- S99 : Heating-to-cooling changeover
- Field wiring : Field wiring
- Screw terminal : Screw terminal
- Connector : Connector

WHT: White, BLK: Black, BLU: Blue, BRN: Brown, GRN: Green, GRY: Grey, ORG: Orange, RED: Red, YLW: Yellow

3D100358

5.2.2.2. 3MXM68M, 3MXM68N(9)

Figure 5-14: Wiring diagram - outdoor unit 3MXM68M, 3MXM68N(9)

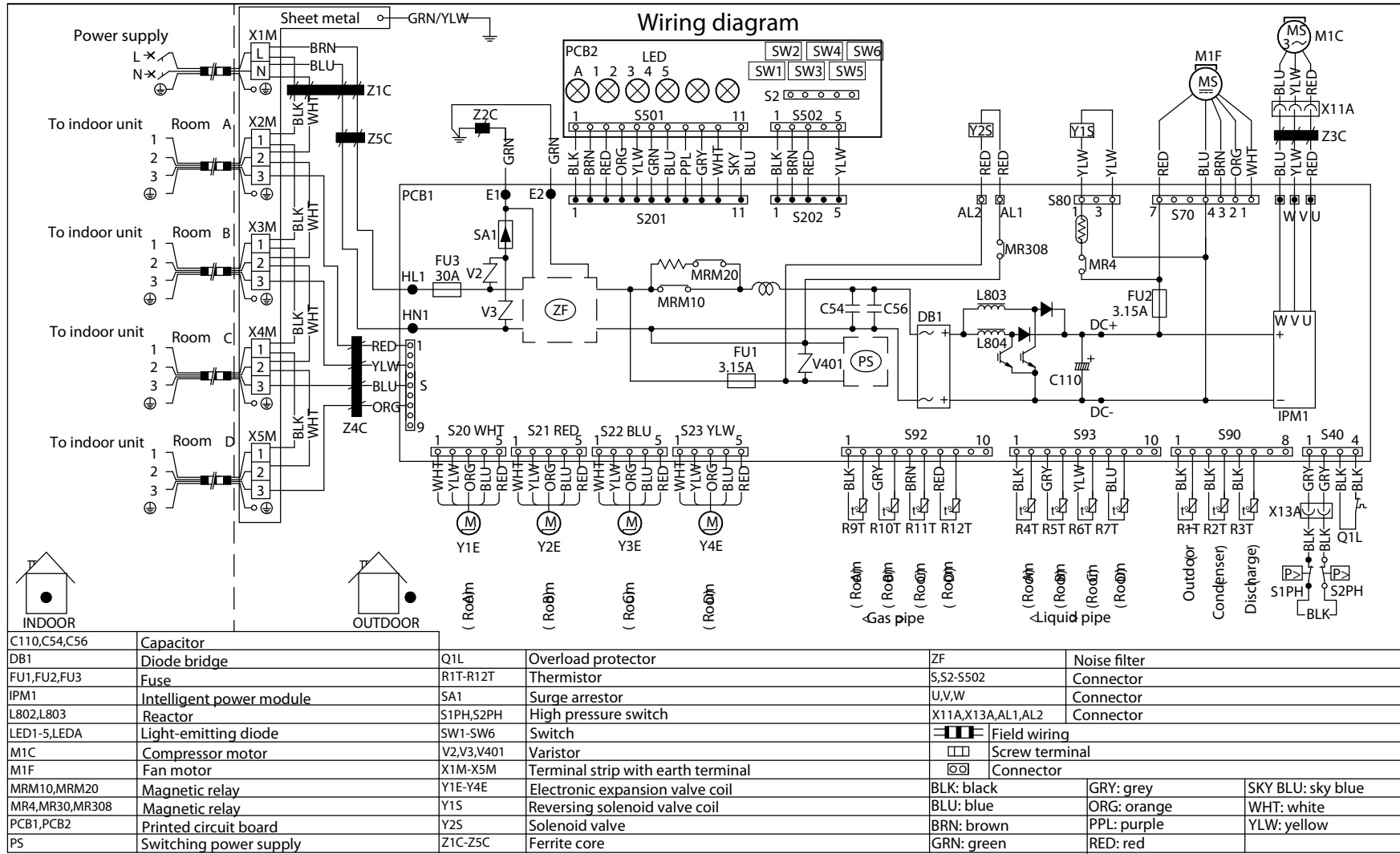


C110, C54, C56	Capacitor	Q1L	Overload protector	ZF	Noise filter
DB1	Diode bridge	R1T-R11T	Thermistor	S.S2-S502	Connector
FU1, FU2, FU3	Fuse	SA1	Surge arrester	U, V, W	Connector
IPM1	Intelligent power module	S1PH, S2PH	High pressure switch	X11A, X13A, AL1, AL2	Connector
L803, L804	Reactor	SW1-SW6	Switch	Field wiring	Field wiring
LED1-5, LEDA	Light-emitting diode	V2, V3, V401	Varistor	Screw terminal	Screw terminal
M1C	Compressor motor	X1M-X4M	Terminal strip with earth terminal	Connector	Connector
M1F	Fan motor	Y1E-Y3E	Electronic expansion valve coil	BLK: black	GRY: grey
MR4, MR30, MR308	Magnetic relay	Y1S	Reversing solenoid valve coil	BLU: blue	ORG: orange
PCB1, PCB2	Printed circuit board	Y2S	Solenoid valve	BRN: brown	PPL: purple
PS	Switching power supply	Z1C-Z5C	Ferrite core	GRN: green	RED: red
				RED: red	RED: red

3D106248A

5.2.2.3. 4MXM-M, 4MXM-N

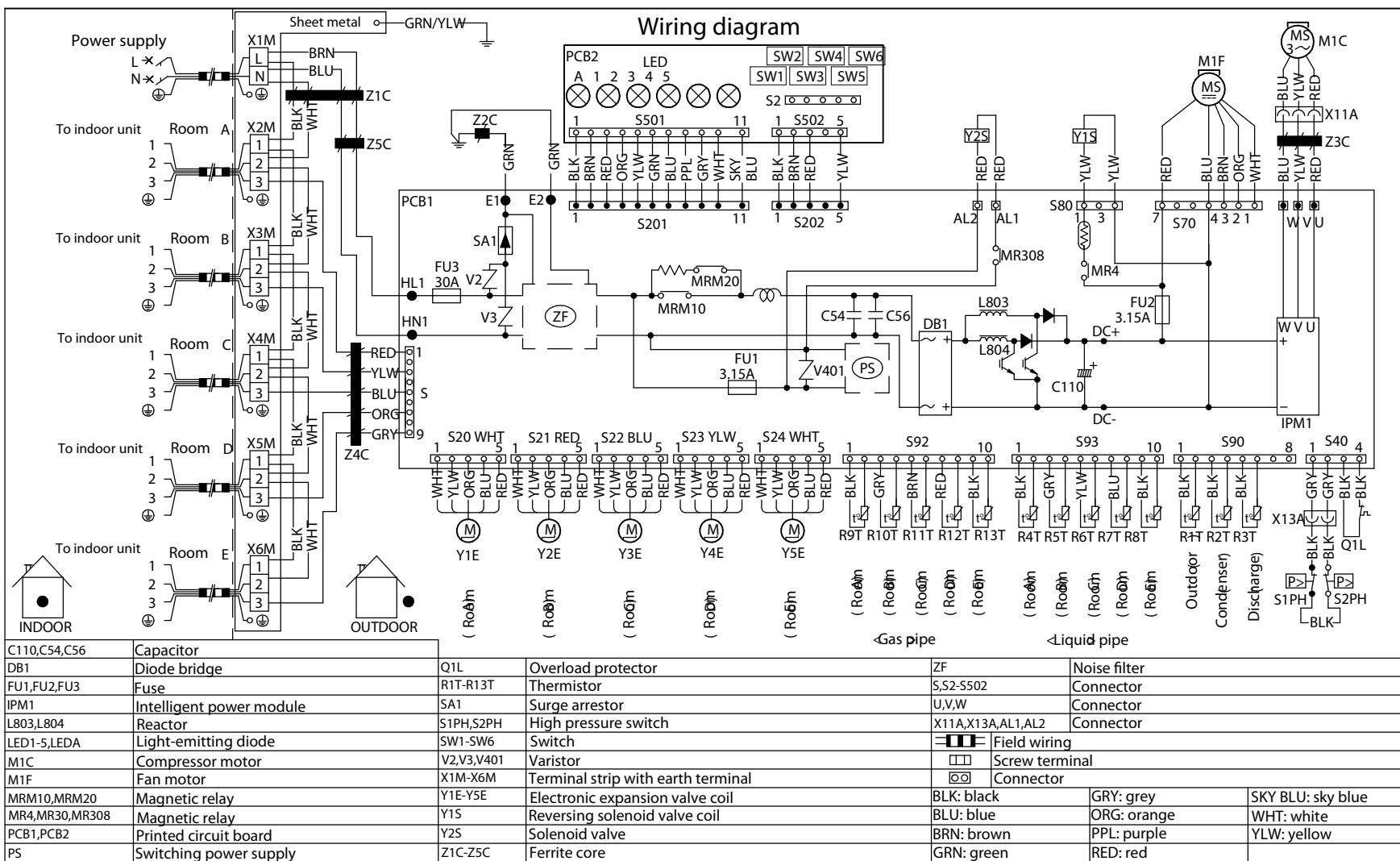
Figure 5-15: Wiring diagram - outdoor unit 4MXM-M, 4MXM-N



3D100361A

5.2.2.4. 5MXM-M, 5MXM-N

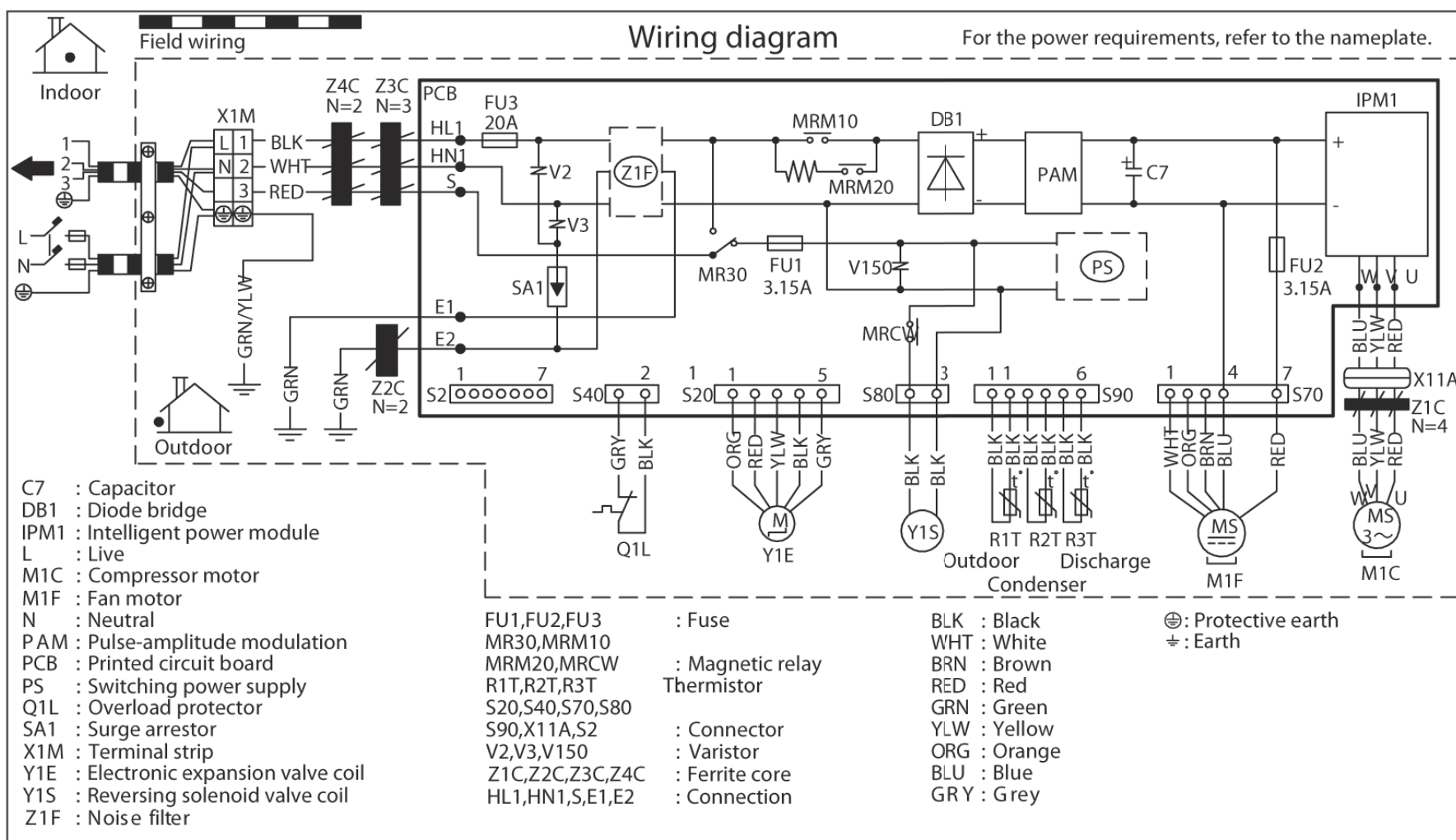
Figure 5-16: Wiring diagram - outdoor unit 5MXM-M, 5MXM-N



3D100360A

5.2.2.5. RXJ20-35M(9)

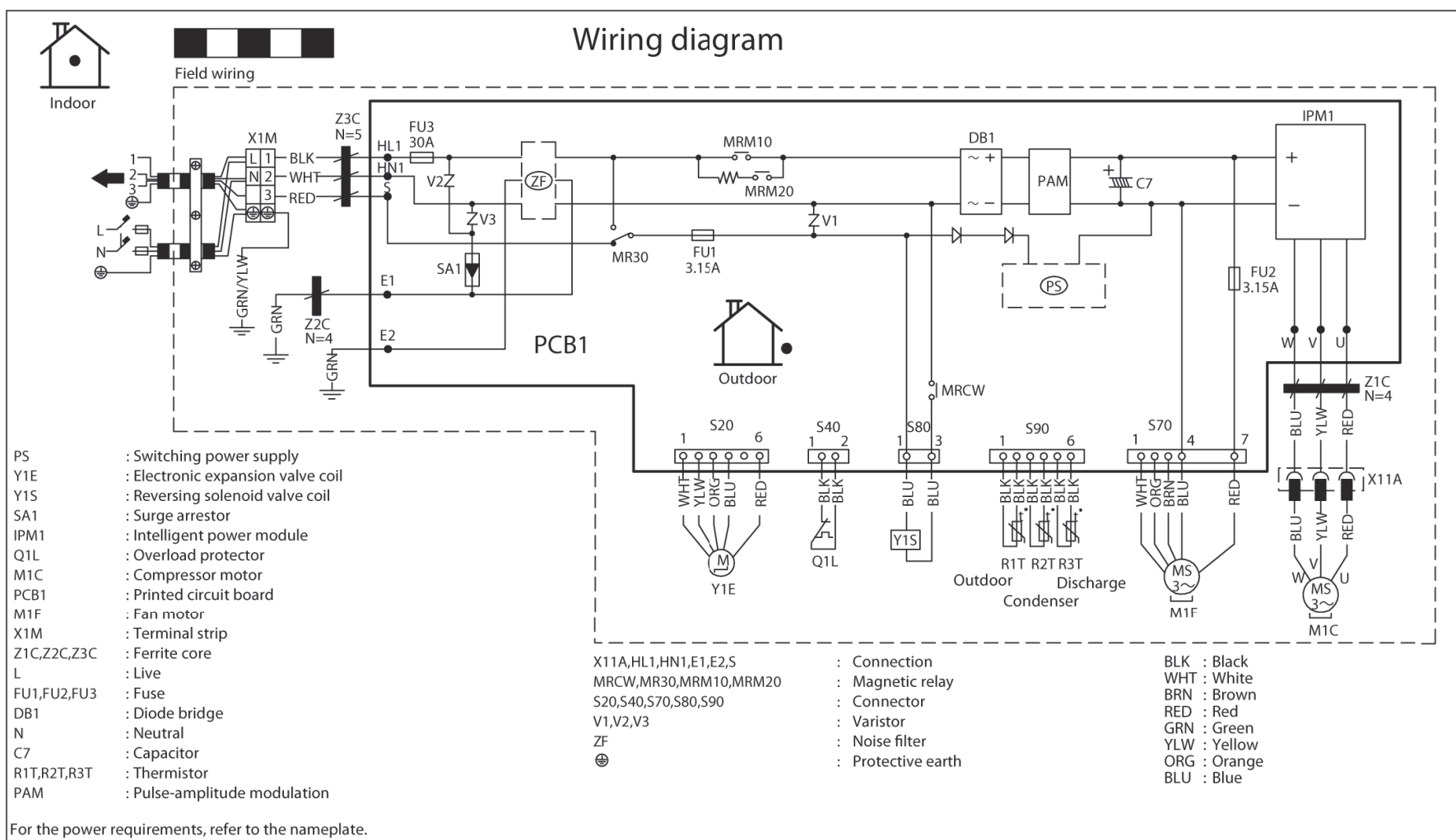
Figure 5-17: Wiring diagram - outdoor unit RXJ20-35M(9)



4D099916B

5.2.2.6. RXJ50M

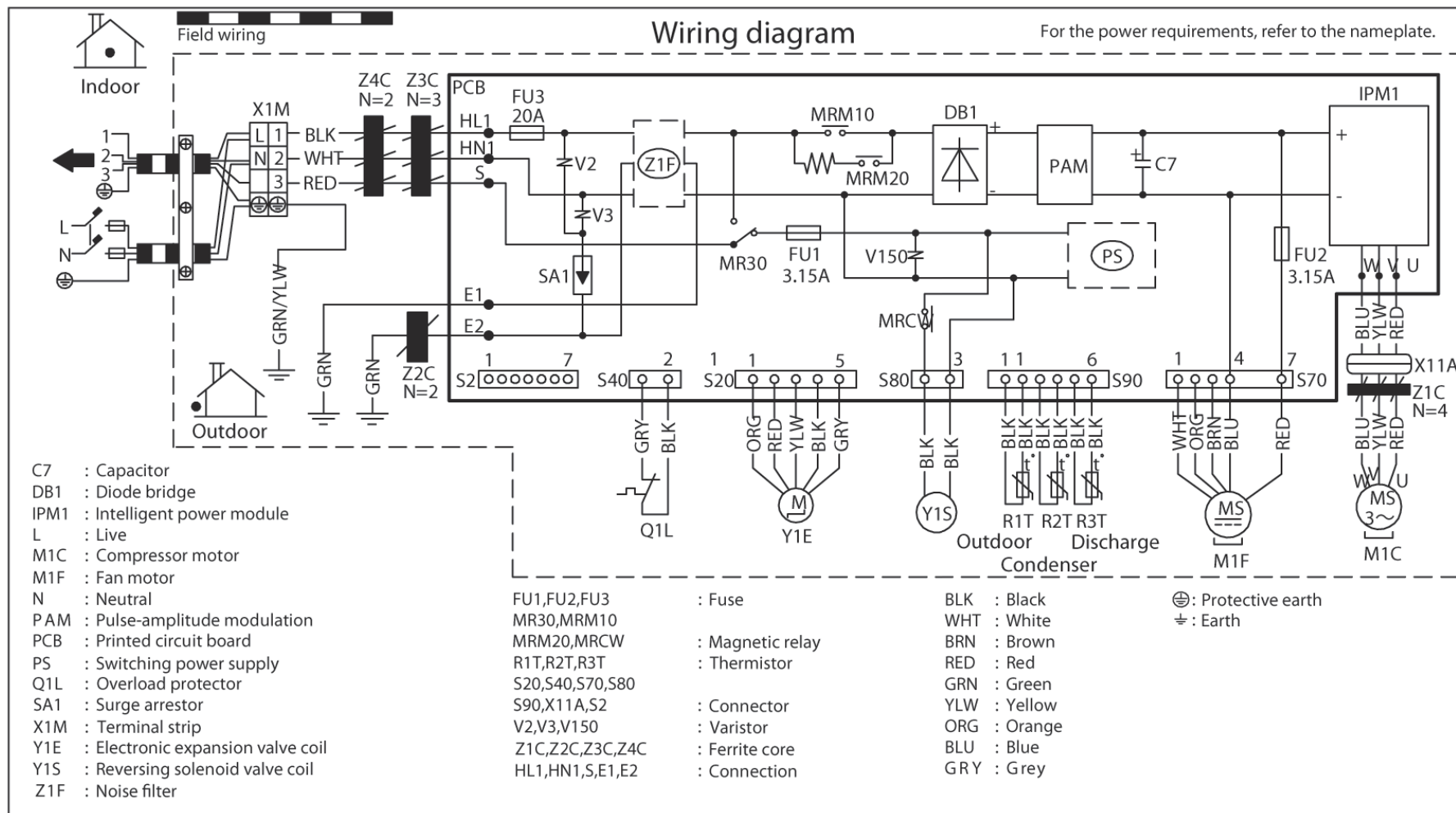
Figure 5-18: Wiring diagram - outdoor unit RXJ50M



3D090522A

5.2.2.7. RXM20-35M, ARXM-M

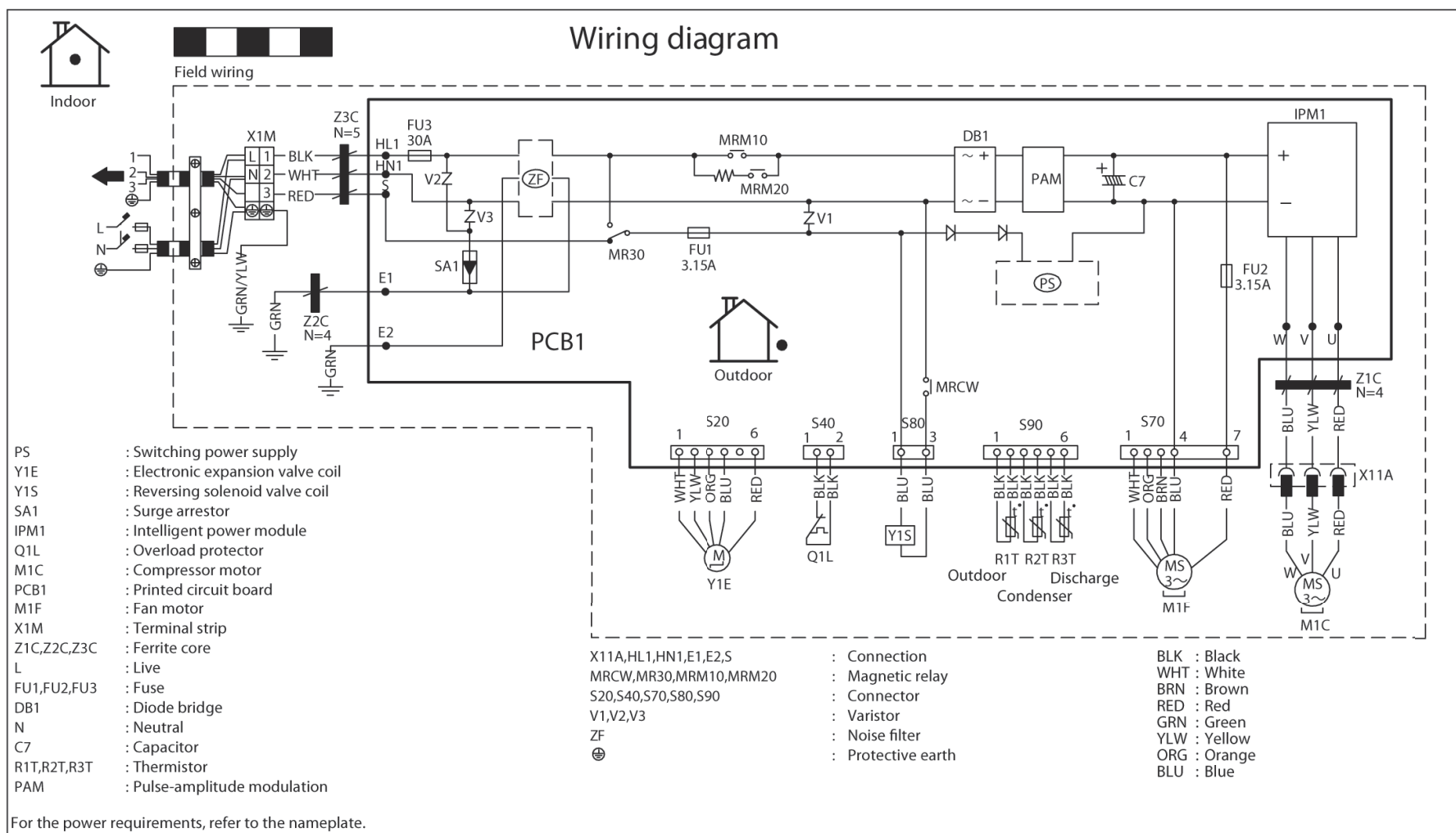
Figure 5-19: Wiring diagram - outdoor unit RXM20-35M, ARXM-M



4D099916B

5.2.2.8. RXM42-50M

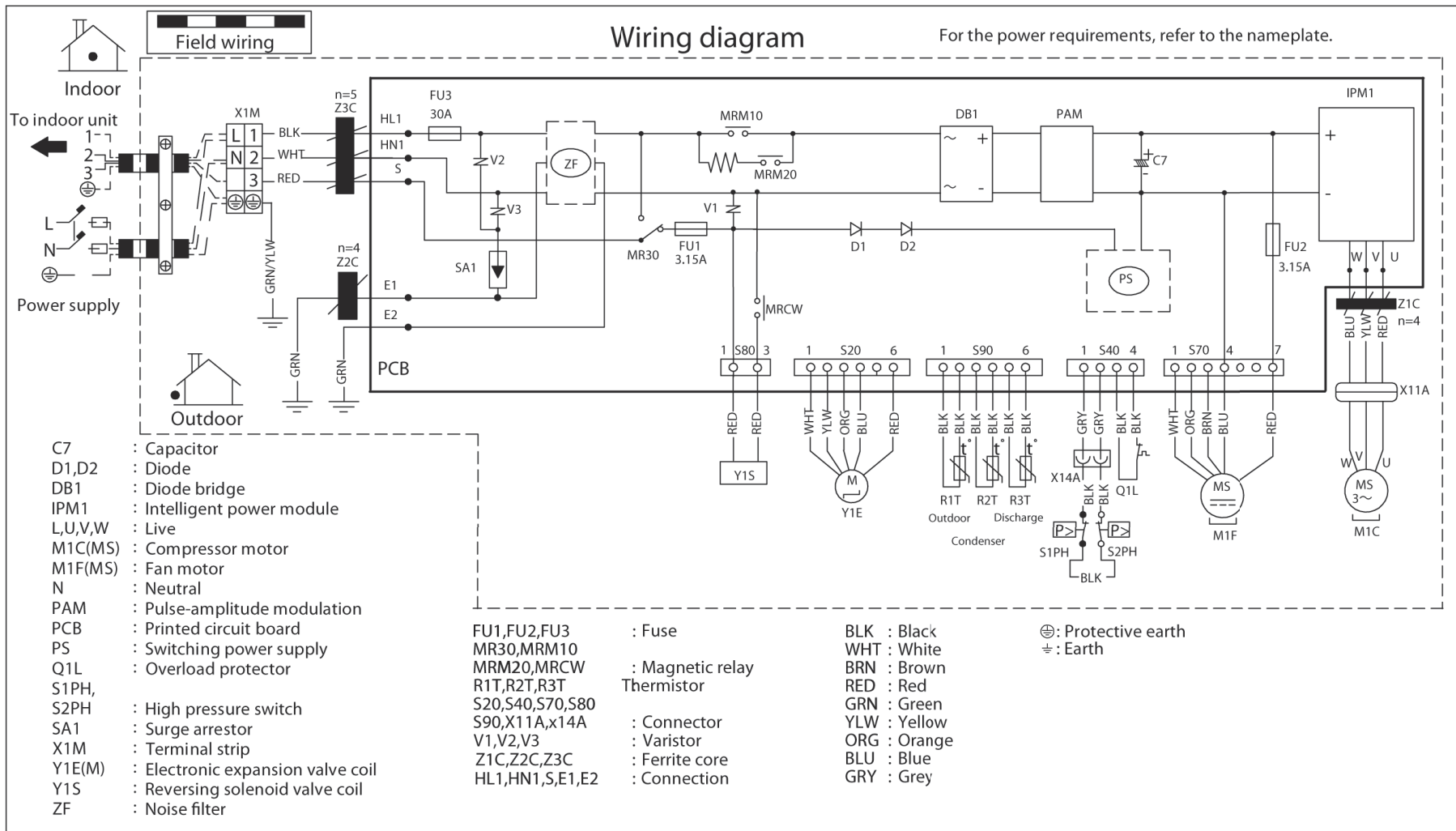
Figure 5-20: Wiring diagram - outdoor unit RXM42-50M



3D090522A

5.2.2.9. RXM60-71M

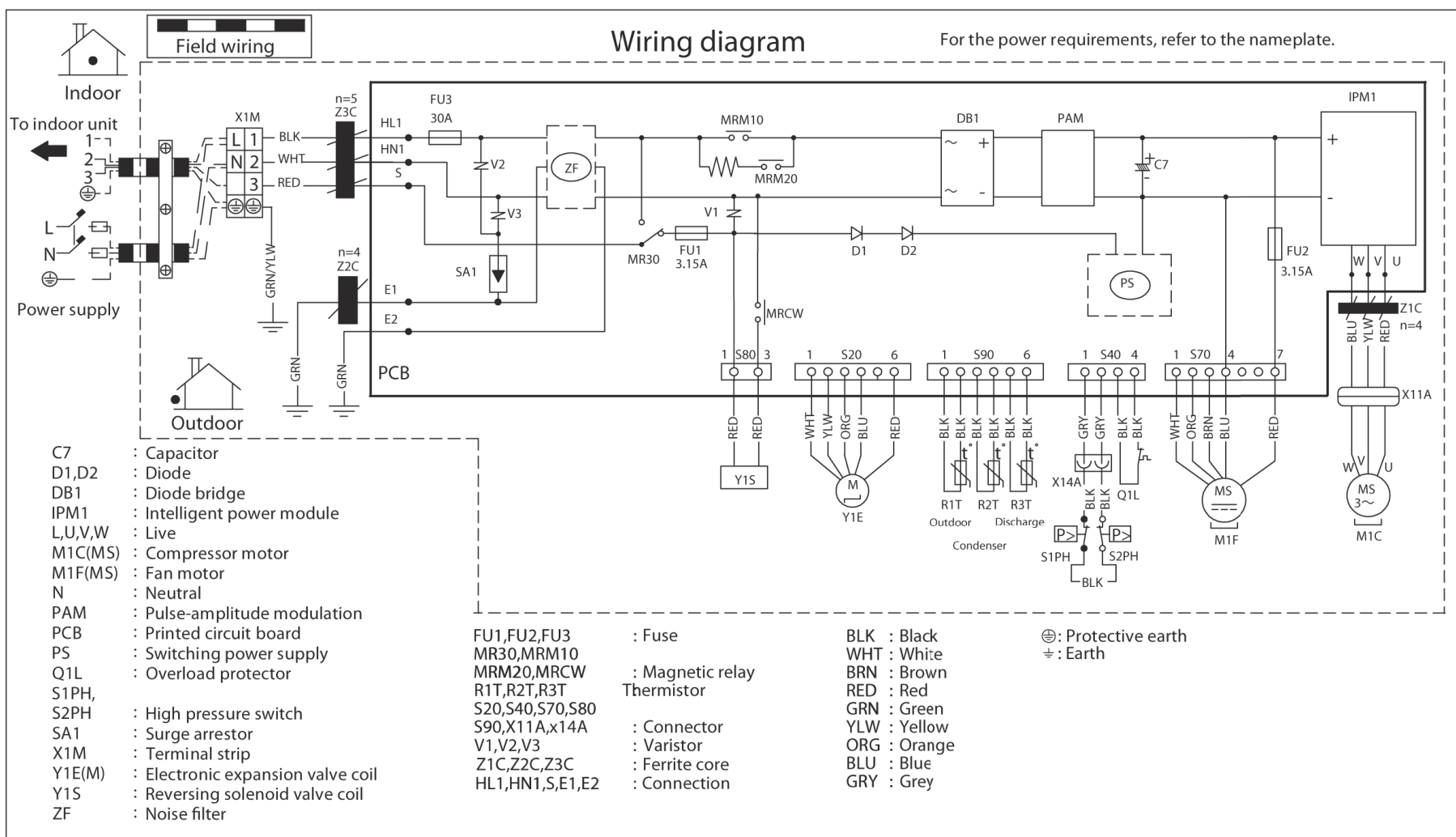
Figure 5-21: Wiring diagram - outdoor unit RXM60-71M



3D100894A

5.2.2.10. RXM71M

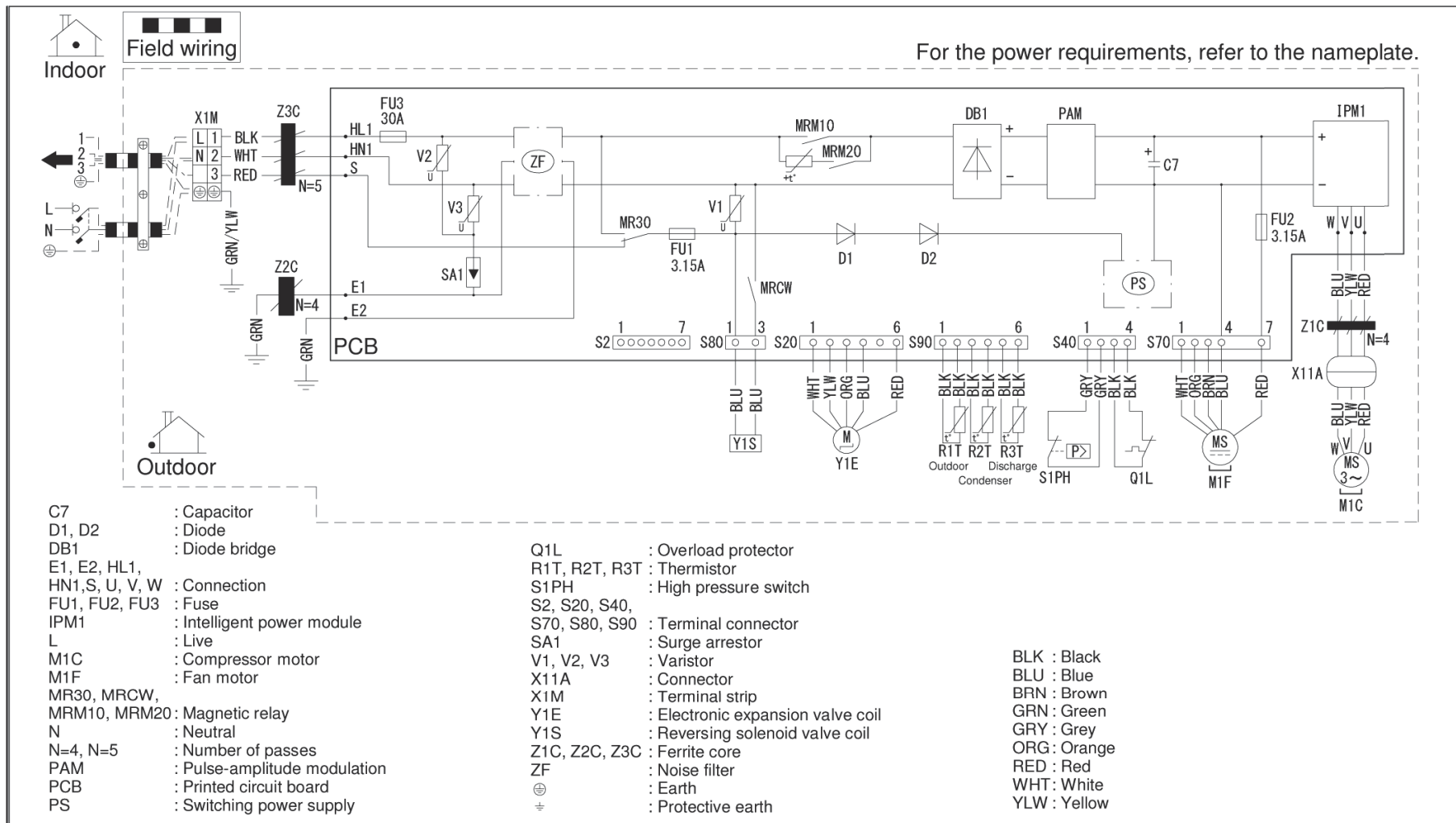
Figure 5-22: Wiring diagram - outdoor unit RXM71M



3D100894A

5.2.2.11. RXJ50N

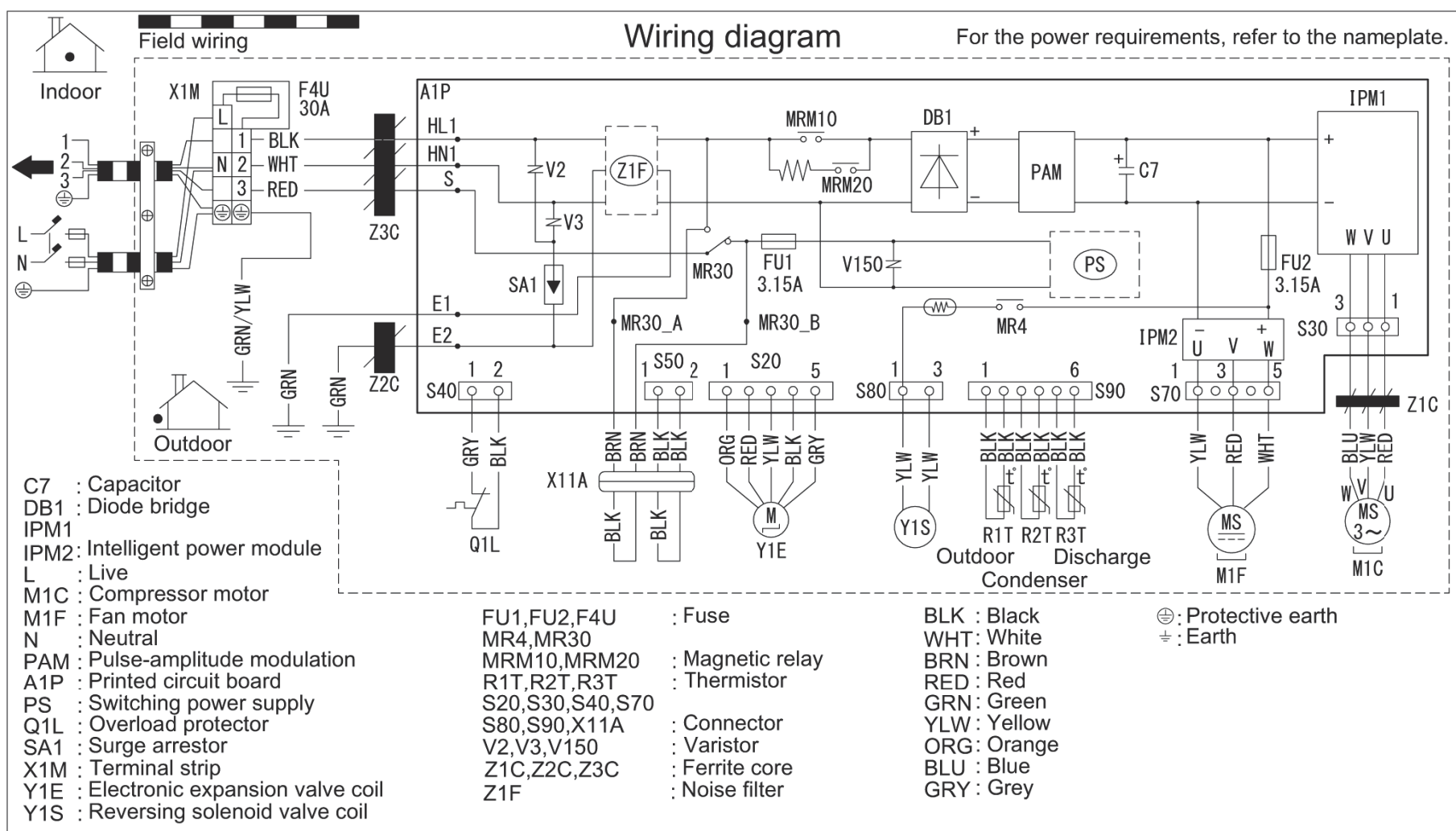
Figure 5-23: Wiring diagram - outdoor unit RXJ50N



3D114452A

5.2.2.12. RXM20-35N9, ARXM25-35N9

Figure 5-24: Wiring diagram - outdoor unit RXM20-35N9, ARXM25-35N9



Notes

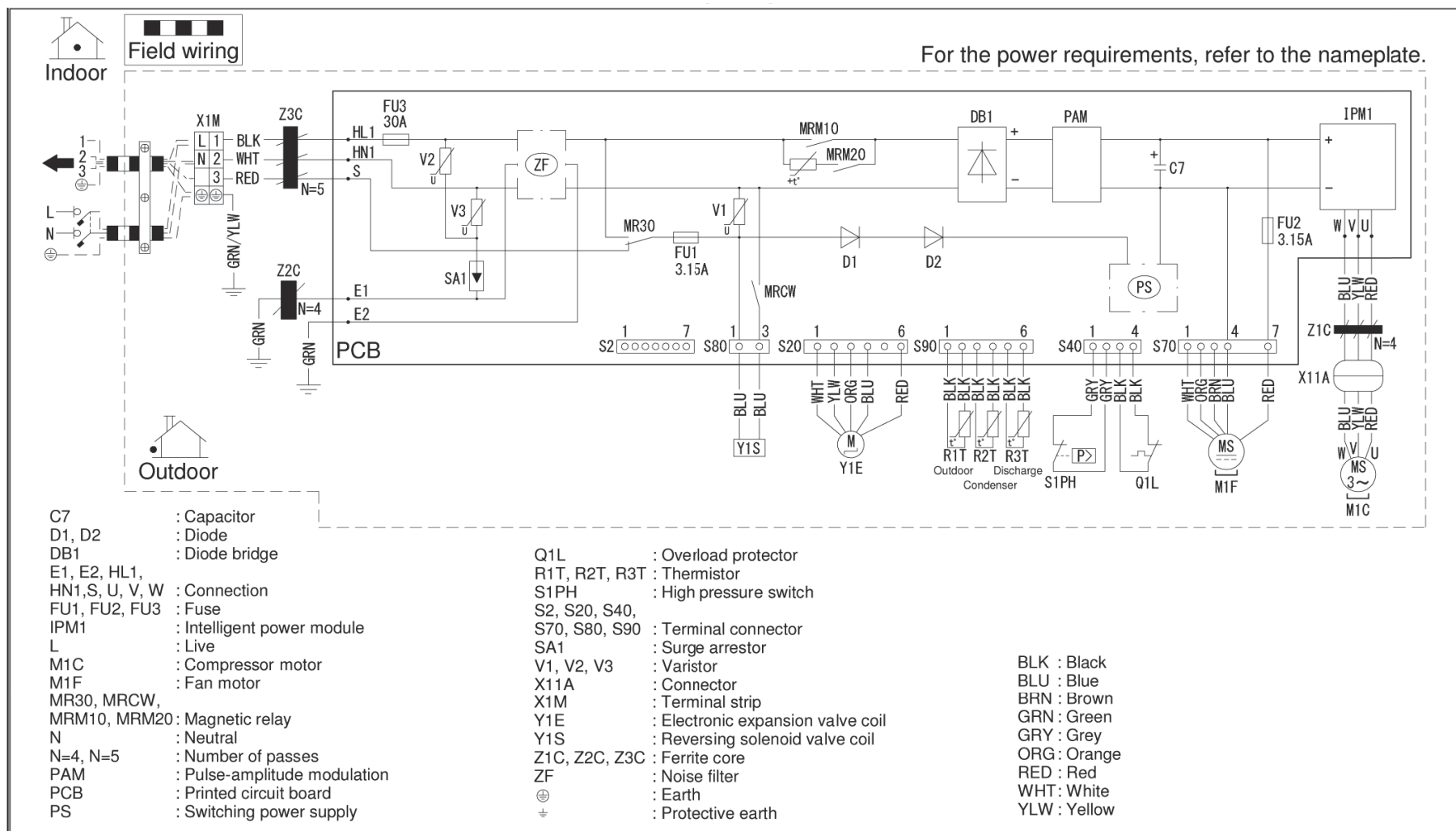
Size: 140 x 80

Refer to purchasing specification AS303002, unless otherwise specified.

4D120154

5.2.2.13. RXM42N9, ARXM50N9

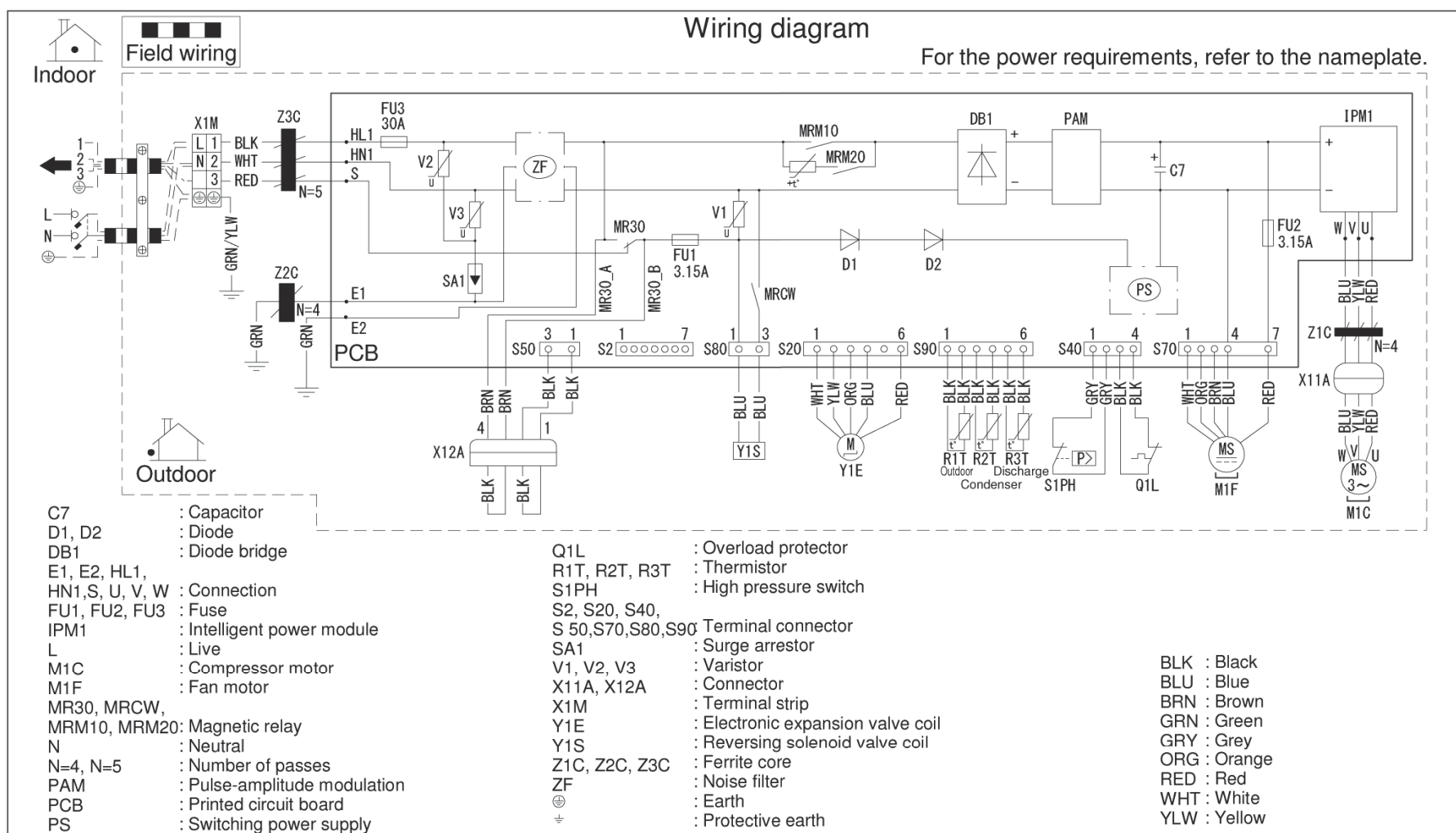
Figure 5-25: Wiring diagram - outdoor unit RXM42N9, ARXM50N9



3D114452A

5.2.2.14. RXM50-60N9

Figure 5-26: Wiring diagram - outdoor unit RXM50-60N9



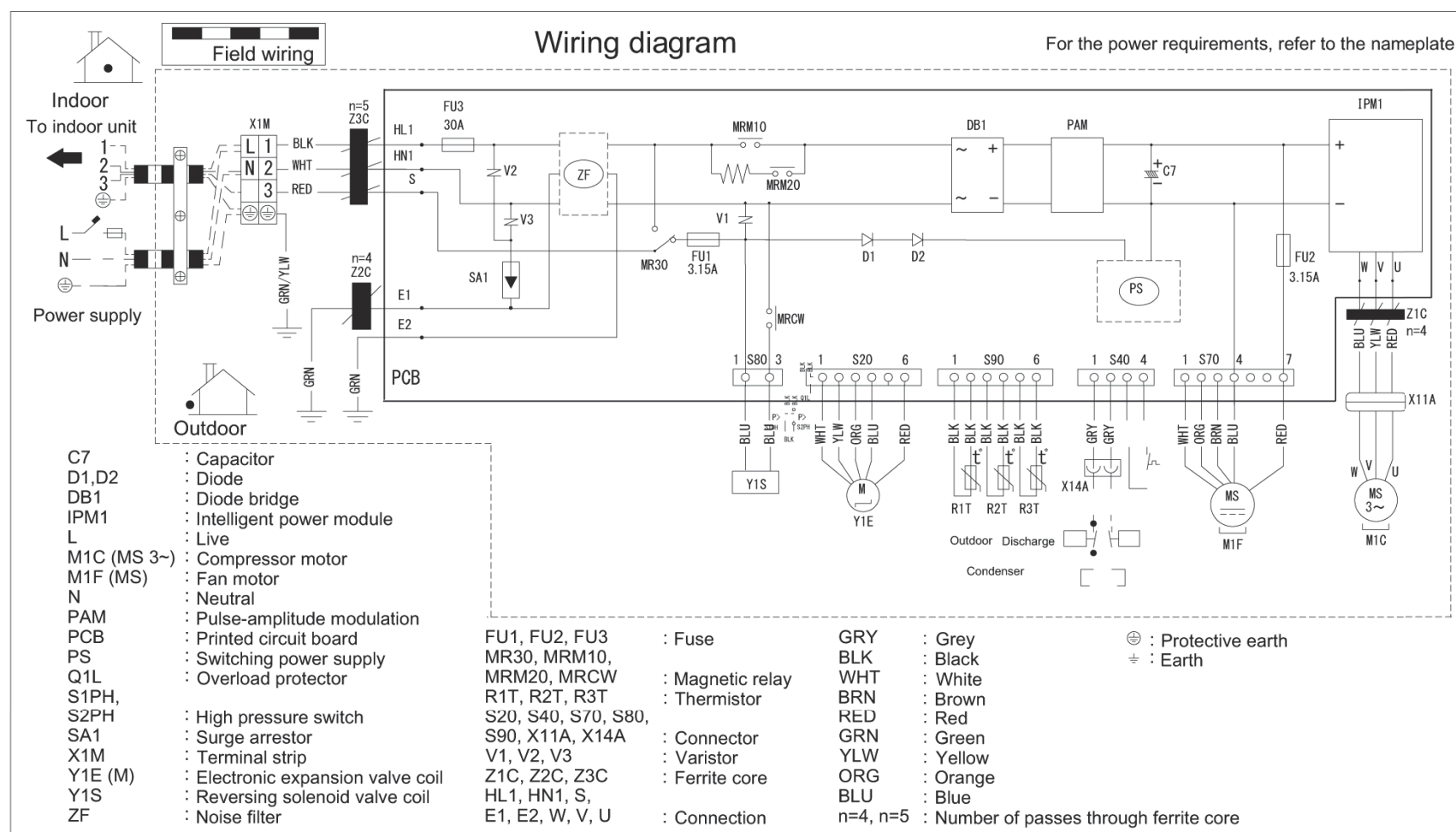
Notes:

1. Size: 105 x 185
2. Refer to purchasing specification AS(Y)303002, unless otherwise specified.

3D116492

5.2.2.15. RXM71N

Figure 5-27: Wiring diagram - outdoor unit RXM71N



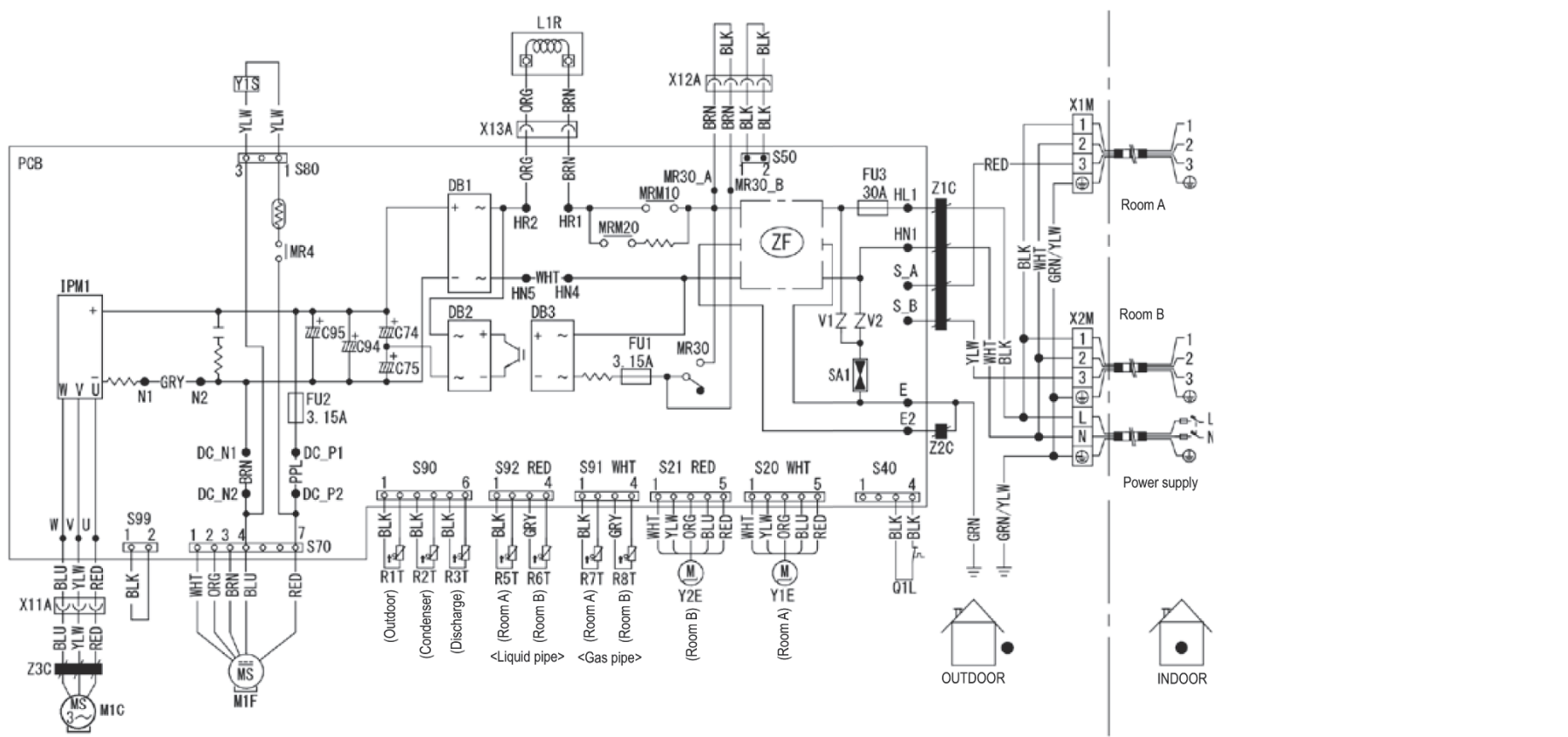
Notes

1. Size: length 105 X width 185.
2. Refer to purchasing specification AS(Y)303002, unless otherwise specified.

3D100894C

5.2.2.16. 2MXM40M

Figure 5-28: Wiring diagram - outdoor unit 2MXM40M



LEGEND

C74, C75, C94, C95	Capacitor
DB1, DB2, DB3	Diode bridge
FU1, FU2, FU3	Fuse
IPM1	Intelligent power module
L1R	Reactor
M1C	Compressor motor
M1F	Fan motor
MRM10, MRM20	Magnetic relay
MR4, MR20	Magnetic relay
PCB	Printed circuit board
Q1L	Overload protector
R1T-R8T	Thermistor

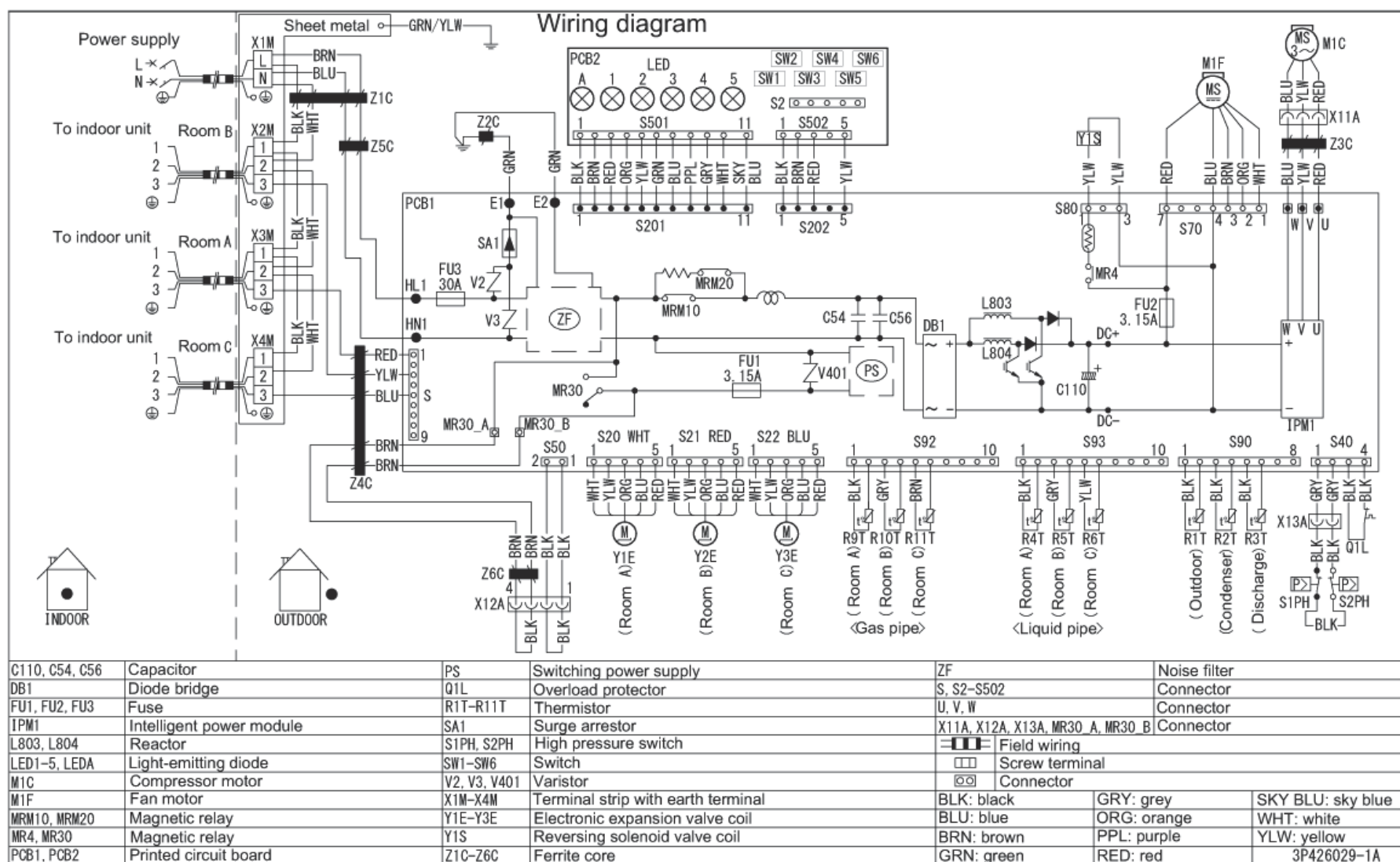
SA1	Surge arrester
V4, V5	Varistor
X1M-X2M	Terminal strip with earth terminal
Y1E-Y2E	Electronic expansion valve coil
Y1S	Reversing solenoid valve coil
ZF	Noise filter
Z1C-Z3C	Ferrite core
S2-S502	Connector
U, V, W	Connector
X11A-X13A	Connector
S99	Heating-to-cooling changeover

	Field wiring
	Screw terminal
	Connector
WHT: white	GRY: grey
BLK: black	ORG: orange
BLU: blue	RED: red
BRN: brown	YLW: yellow
GRN: green	

3D100356

5.2.2.17. 3MXM40-52M

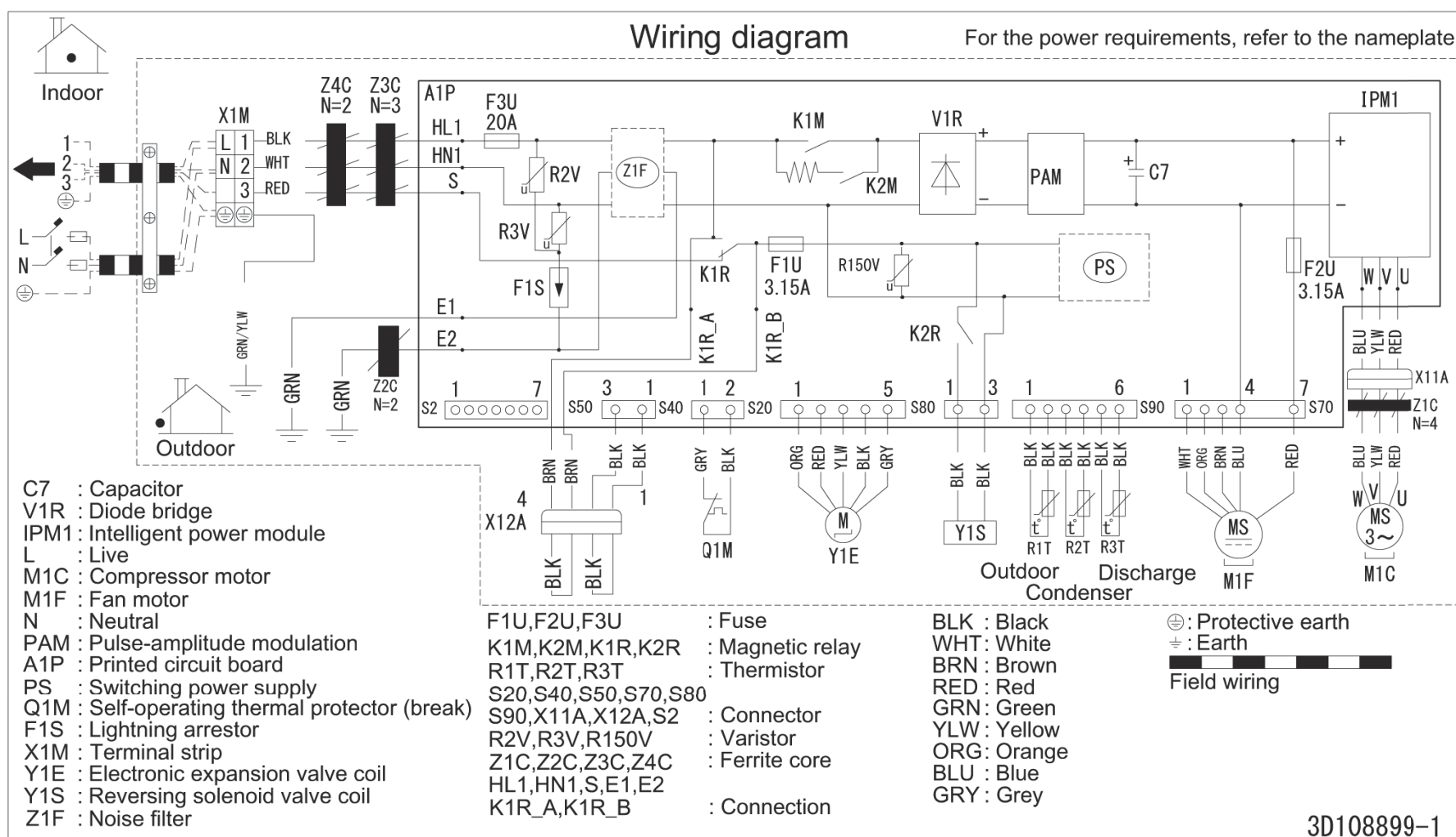
Figure 5-29: Wiring diagram - outdoor unit 3MXM40-52M



3D100352A

5.2.2.18. RXM20-35M9, ARXM25-35M9

Figure 5-30: Wiring diagram - outdoor unit RXM20-35M9, ARXM25-35M9



3D108899-1

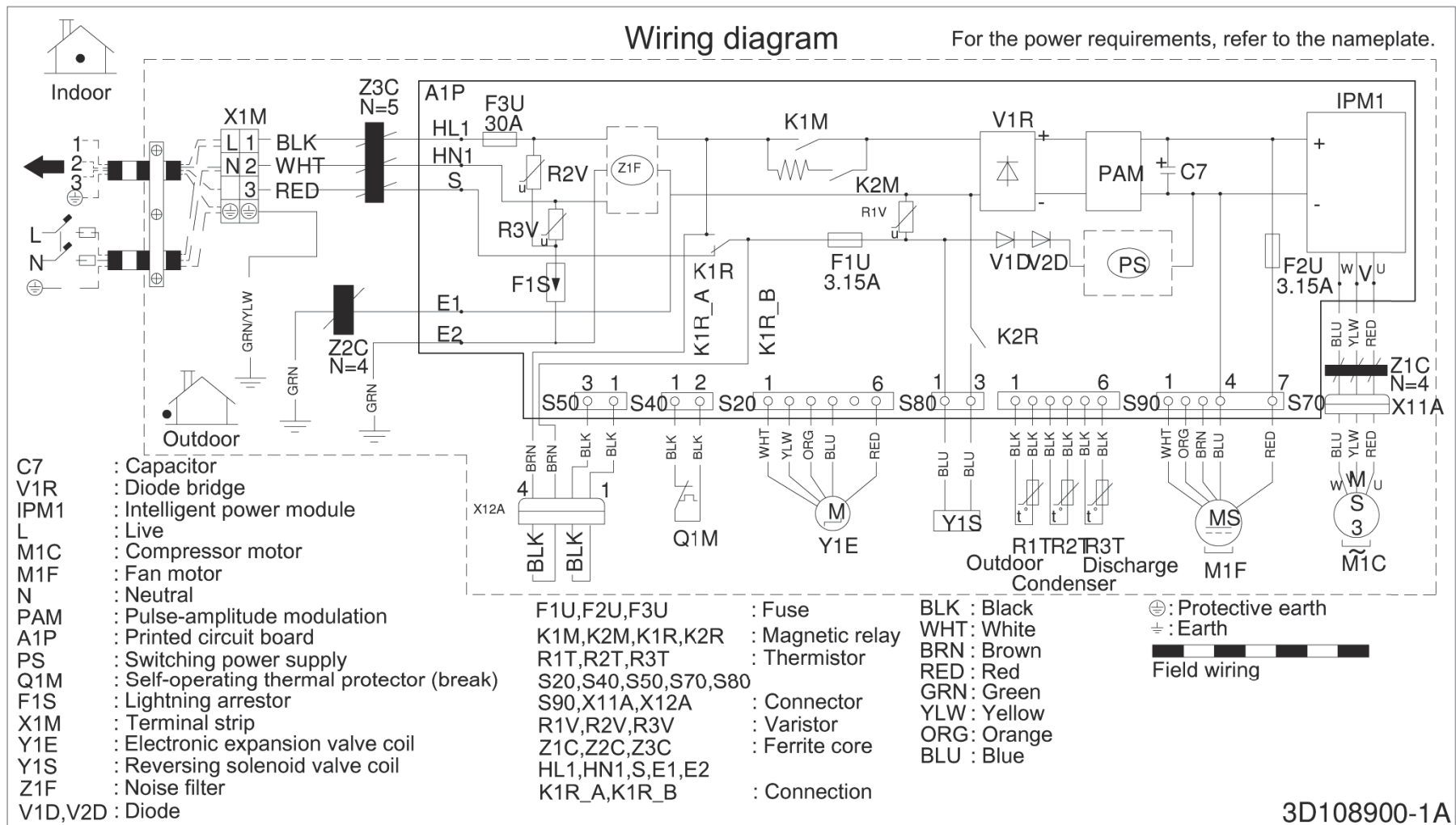
NOTES:

- Size: 140 x 80
- Refer to purchasing specification AS303002, unless otherwise specified.

3D108899

5.2.2.19. RXM42-50M9, ARXM50M9

Figure 5-31: Wiring diagram - outdoor unit RXM42-50M9, ARXM50M9



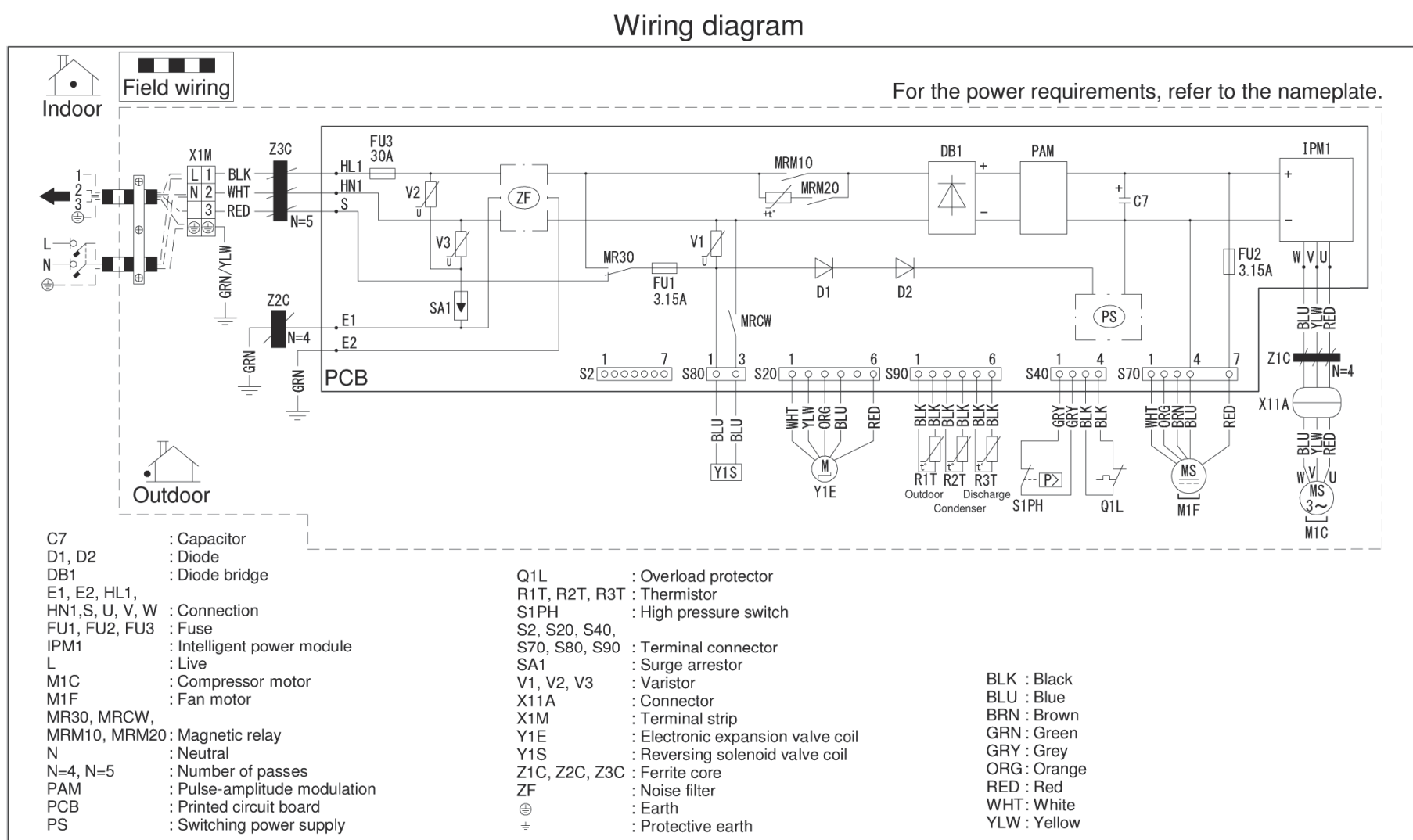
NOTES:

1. Size: length 105x width 185.
2. Refer to purchasing specification AS303002 unless otherwise specified.

3D108900A

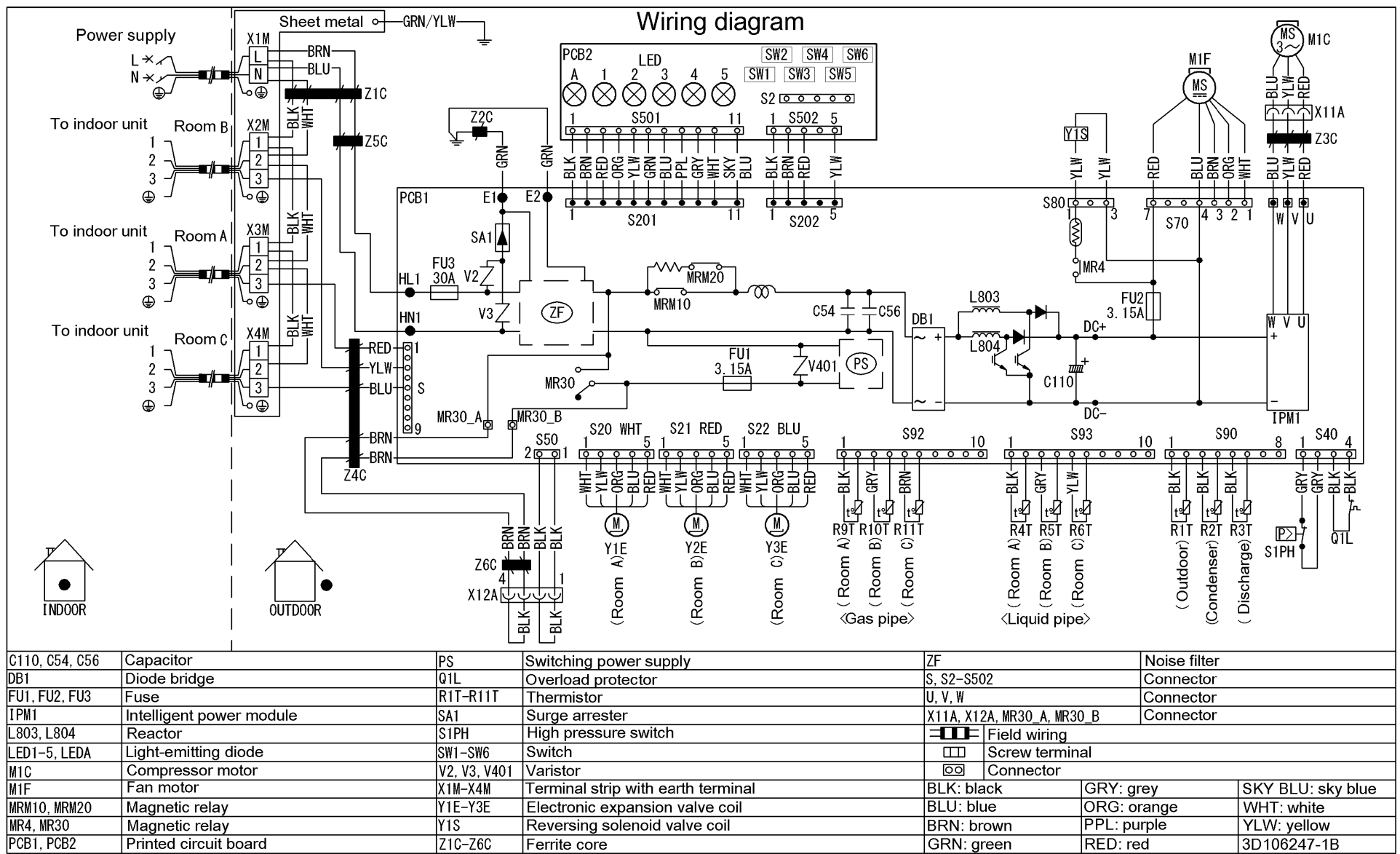
5.2.2.20. ARXM50N

Figure 5-32: Wiring diagram - outdoor unit ARXM50N



5.2.2.21. 3MXM40-52N, 3MXM52N9

Figure 5-33: Wiring diagram - outdoor unit 3MXM40-52N, 3MXM52N9



5.2.3. Field wiring

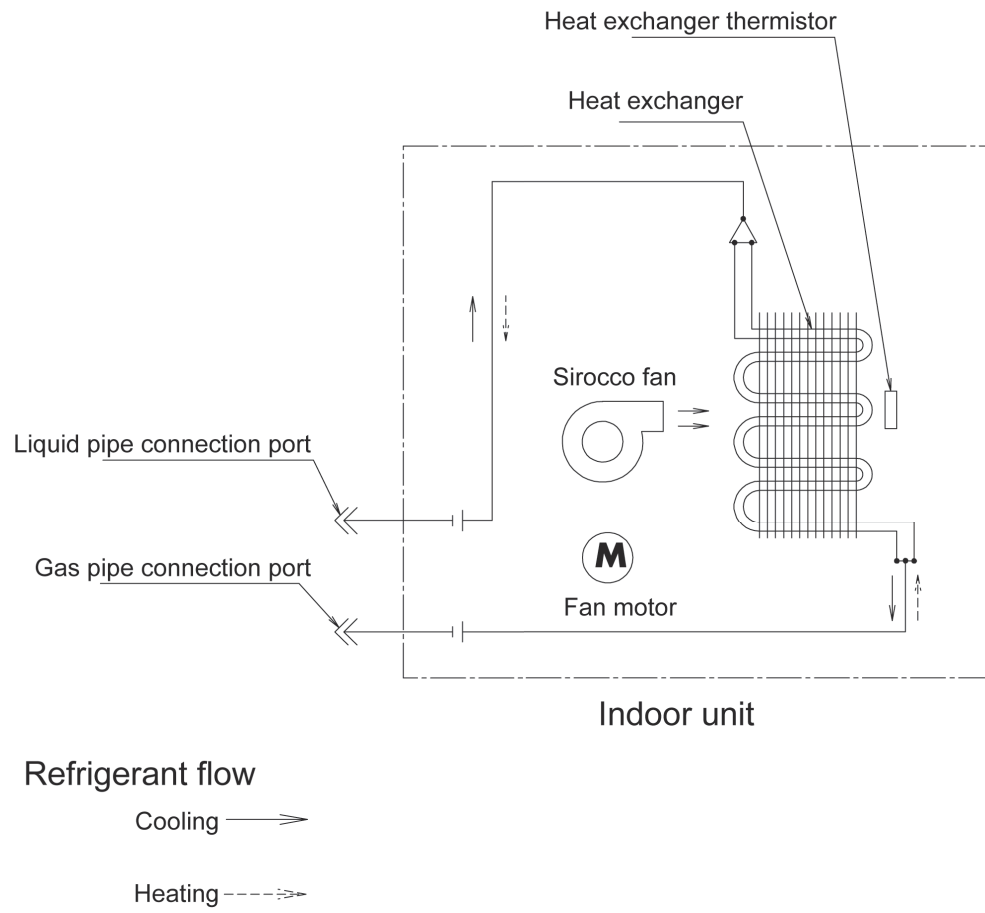
Not applicable.

5.3. Piping diagram

5.3.1. Indoor unit

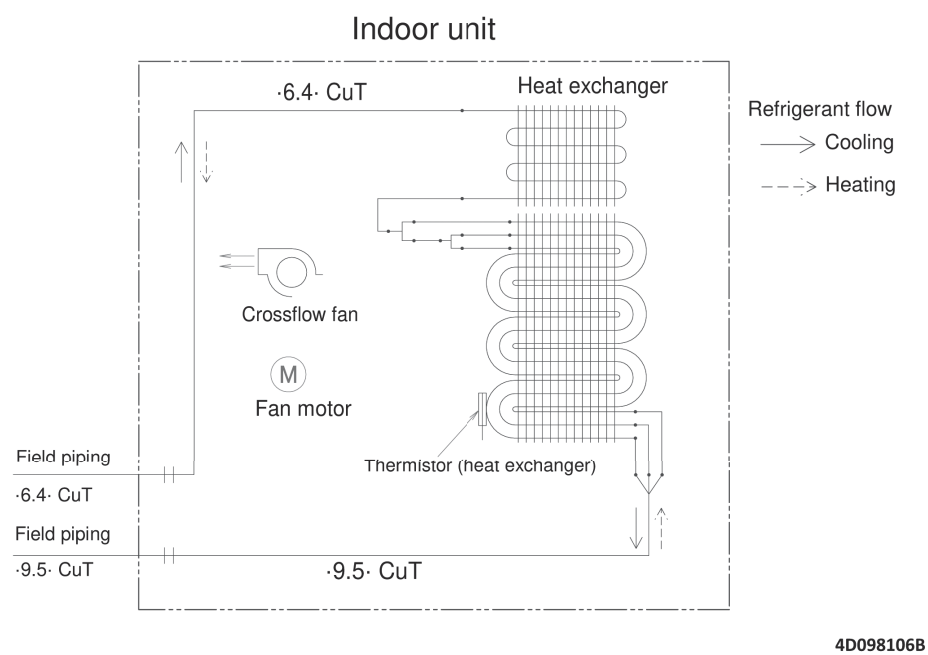
5.3.1.1. FNA-A

Figure 5-34: Piping diagram - indoor unit FNA-A



5.3.1.2. FTXM20-35M, FTXM20N, CTXM-M, CTXM-N, ATXM20-35M, ATXM20N, FTXP35M9

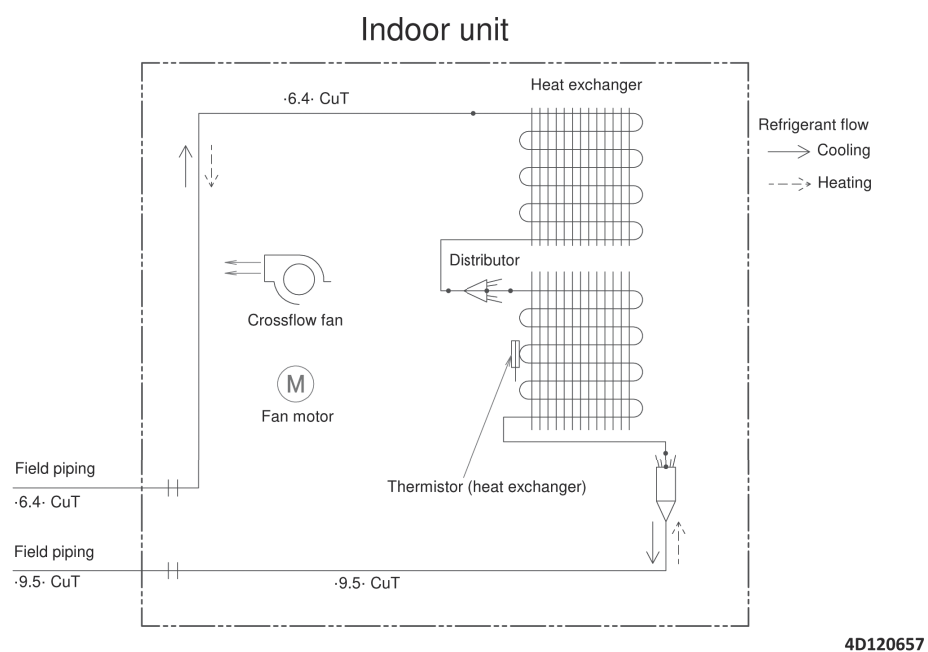
Figure 5-35: Piping diagram - indoor unit FTXM20-35M, FTXM20N, CTXM-M, CTXM-N, ATXM20-35M, ATXM20N, FTXP35M9



4D098106B

5.3.1.3. FTXM25-35N, ATXM25-35N

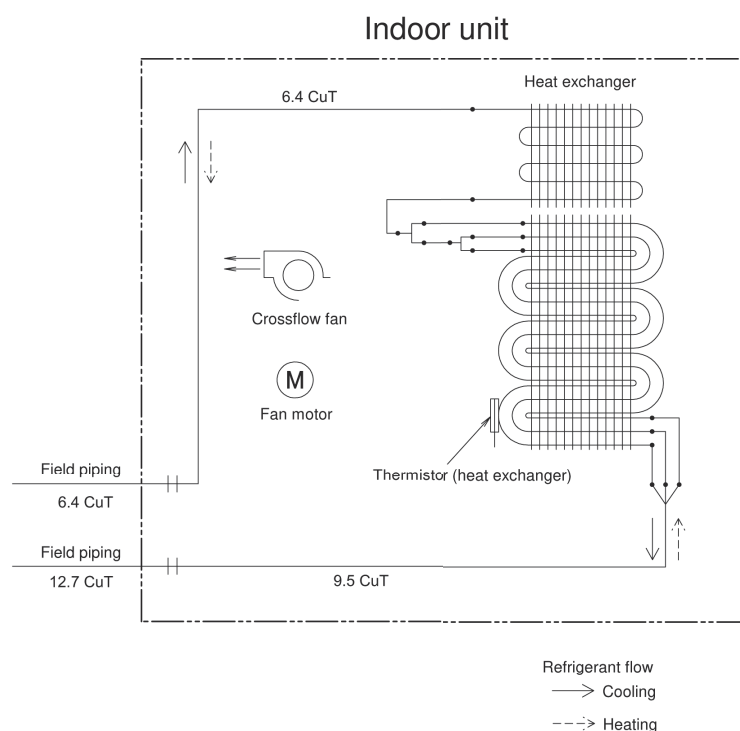
Figure 5-36: Piping diagram - indoor unit FTXM25-35N, ATXM25-35N



4D120657

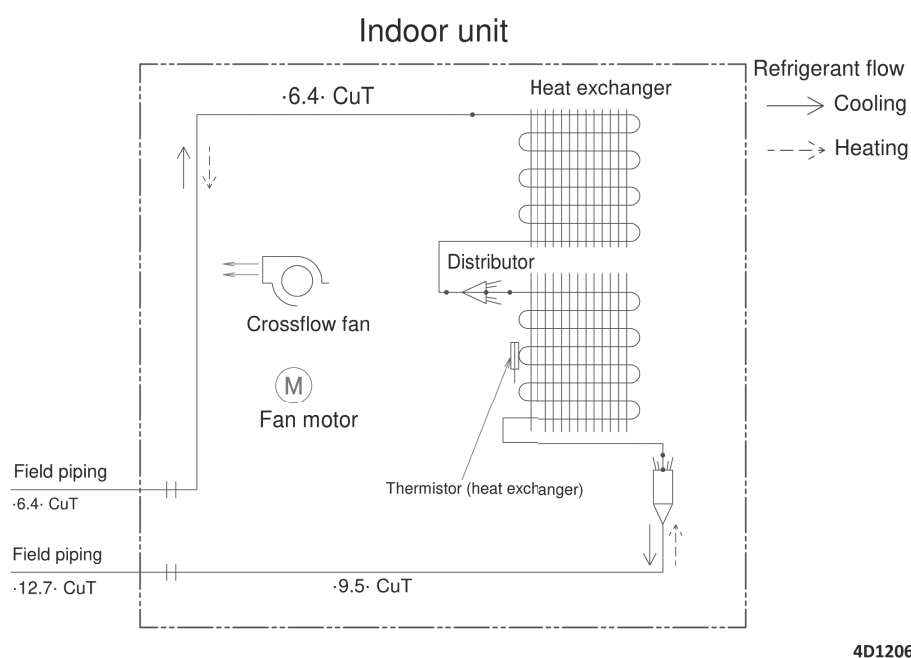
5.3.1.4. FTXM42M

Figure 5-37: Piping diagram - indoor unit FTXM42M



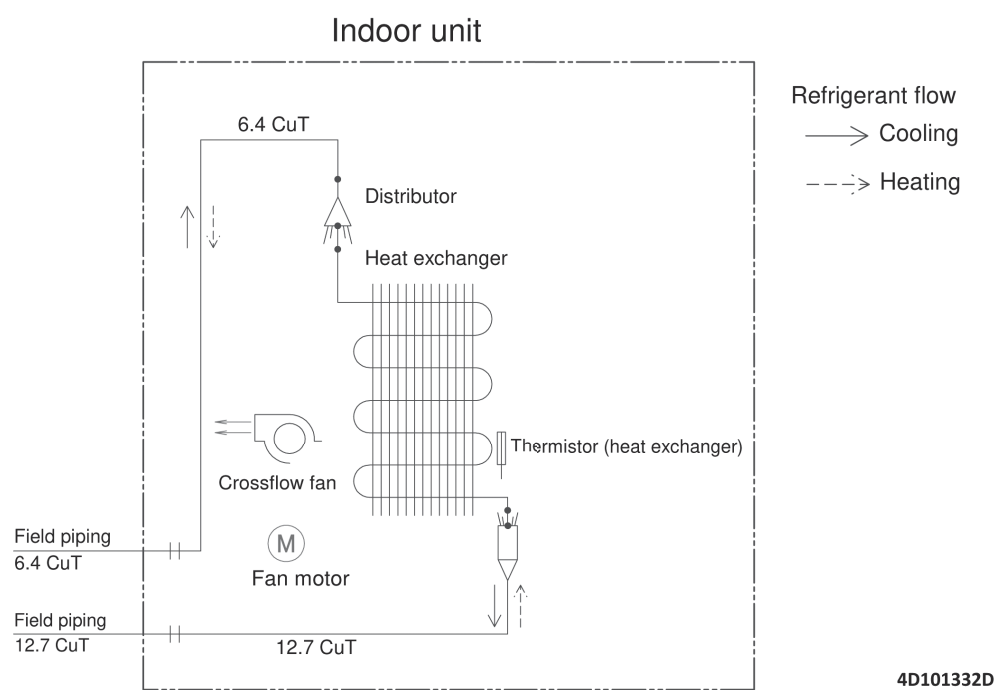
5.3.1.5. FTXM42N

Figure 5-38: Piping diagram - indoor unit FTXM42N



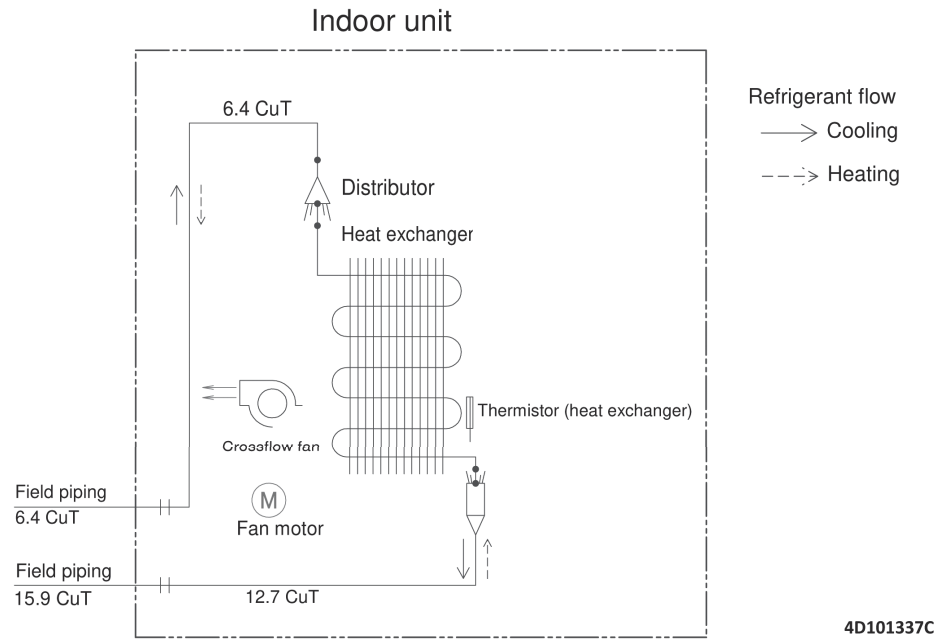
5.3.1.6. FTXM50-60M, FTXM50-60N, ATXM50M, ATXM50N

Figure 5-39: Piping diagram - indoor unit FTXM50-60M, FTXM50-60N, ATXM50M, ATXM50N



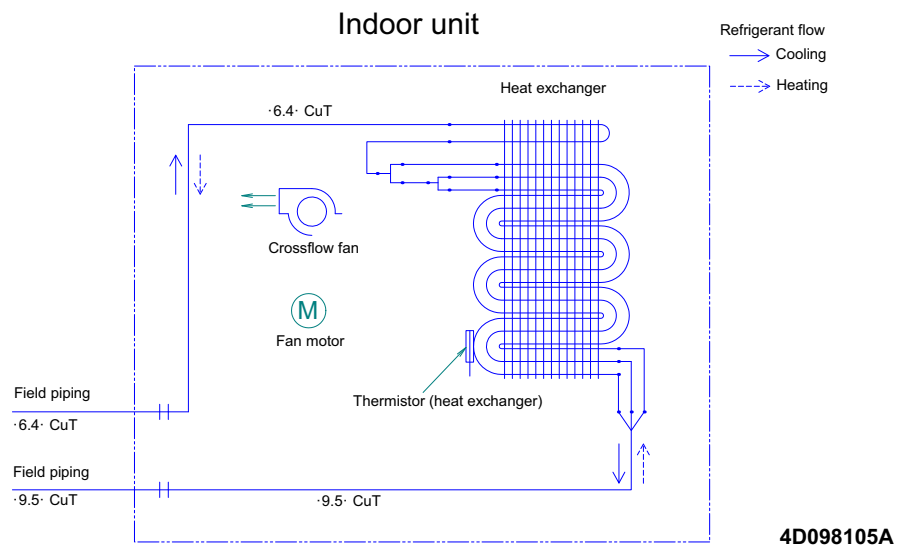
5.3.1.7. FTXM71M, FTXM71N

Figure 5-40: Piping diagram - indoor unit FTXM71M, FTXM71N



5.3.1.8. FTXM20-25M9

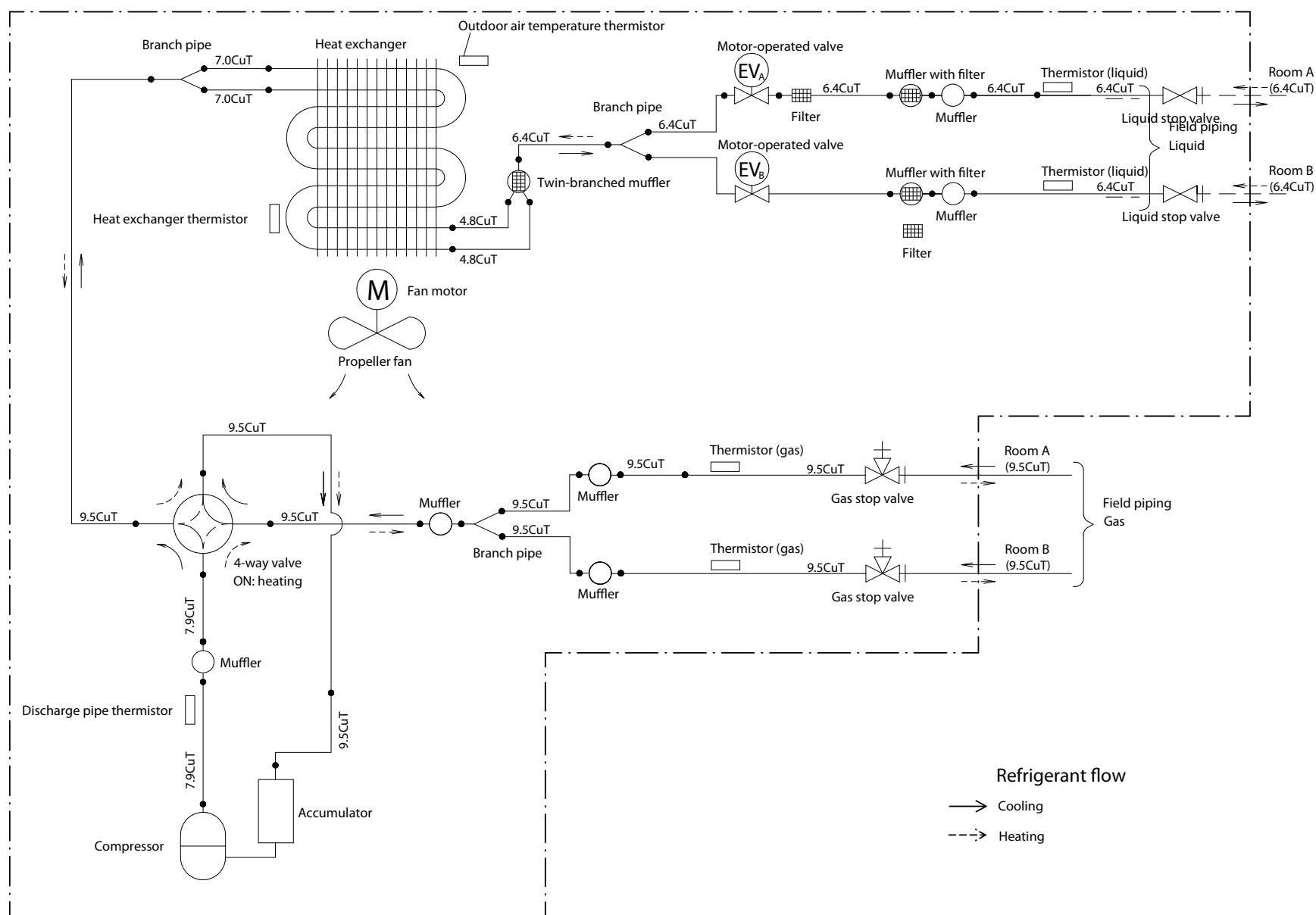
Figure 5-41: Piping diagram - indoor unit FTXM20-25M9



5.3.2. Outdoor unit

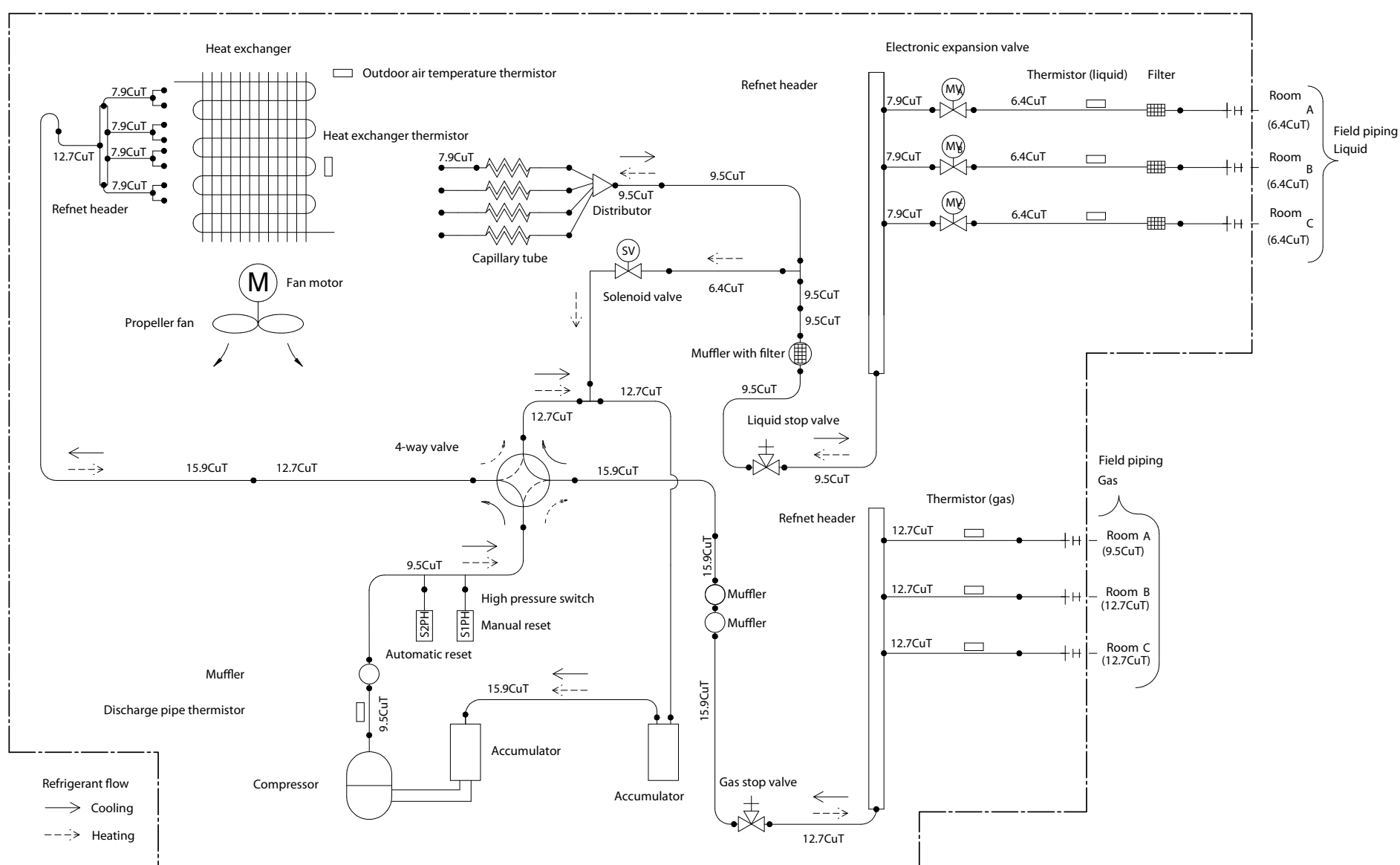
5.3.2.1. 2MXM40M

Figure 5-42: Piping diagram - outdoor unit 2MXM40M



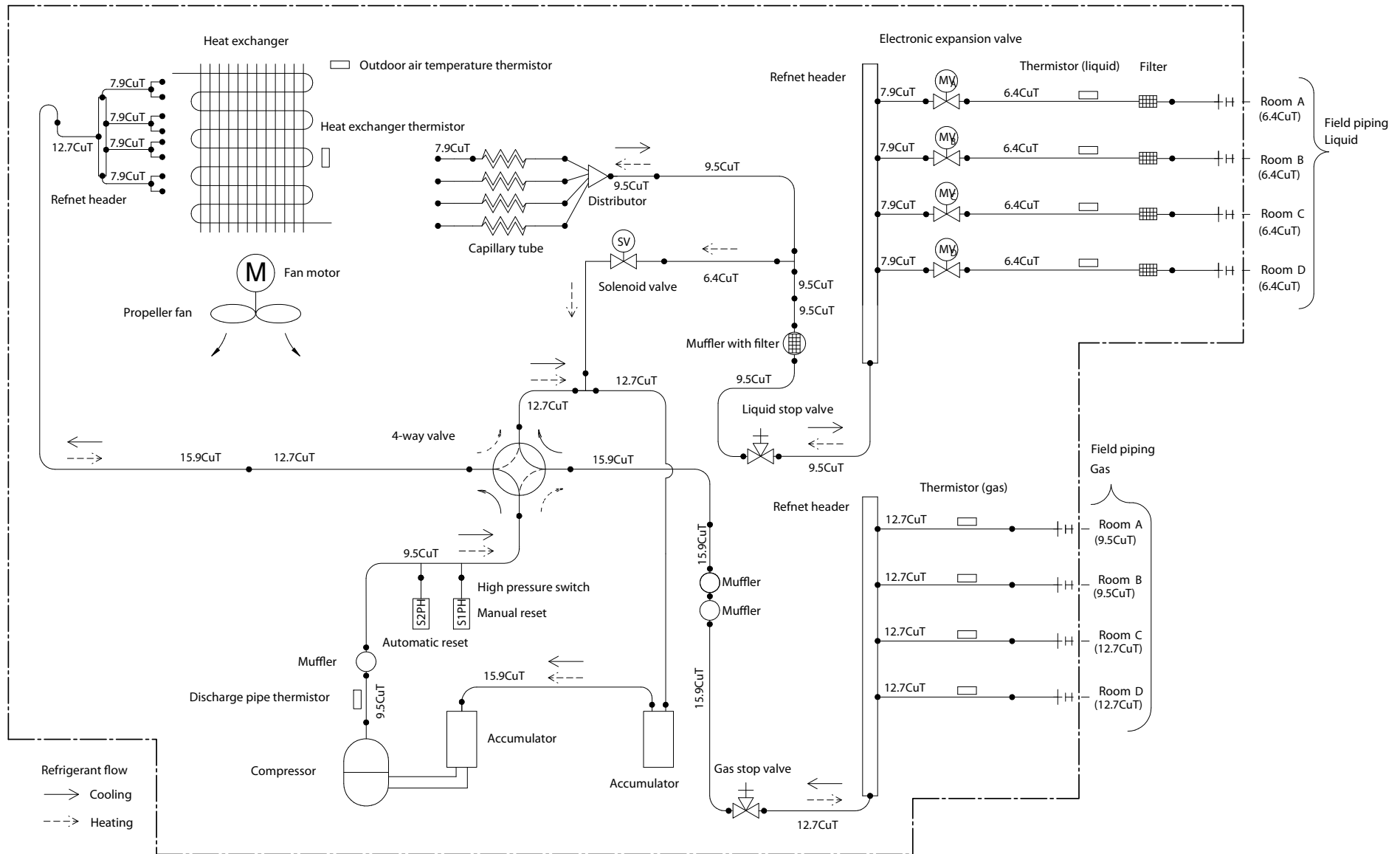
5.3.2.2. 3MXM68M, 3MXM68N(9)

Figure 5-43: Piping diagram - outdoor unit 3MXM68M, 3MXM68N(9)



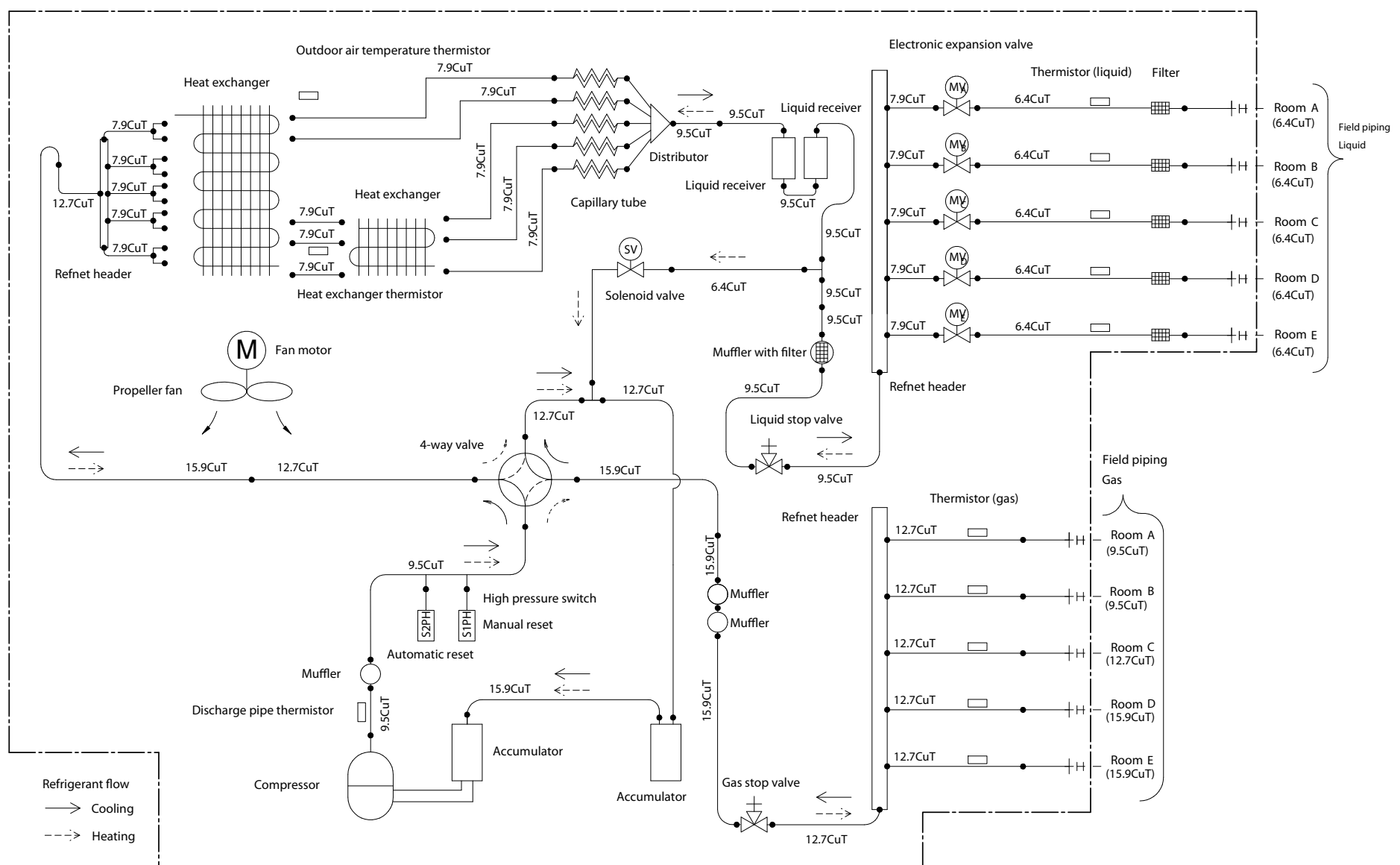
5.3.2.3. 4MXM68M, 4MXM68N

Figure 5-44: Piping diagram - outdoor unit 4MXM68M, 4MXM68N



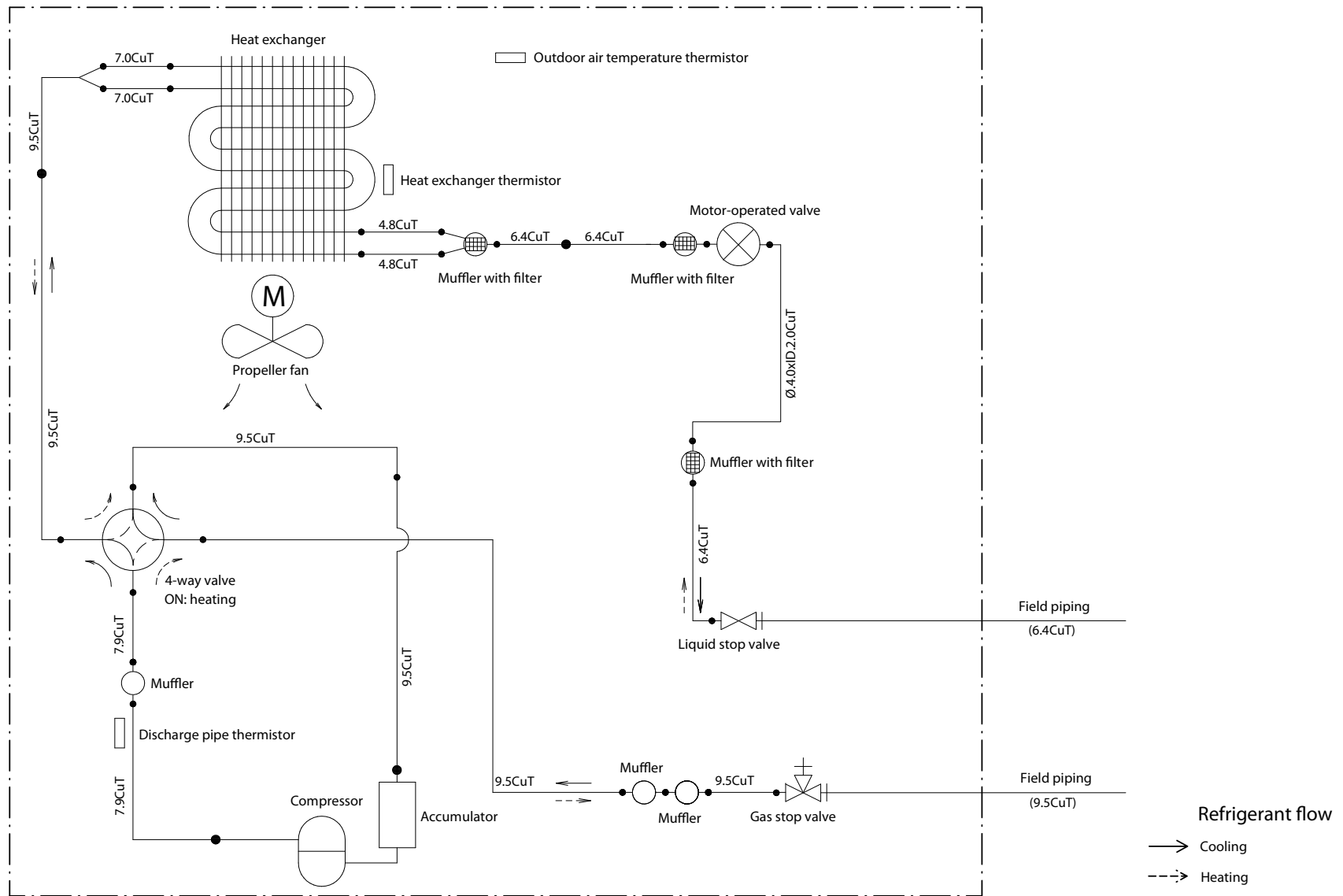
5.3.2.4. 5MXM-M, 5MXM-N

Figure 5-45: Piping diagram - outdoor unit 5MXM-M, 5MXM-N



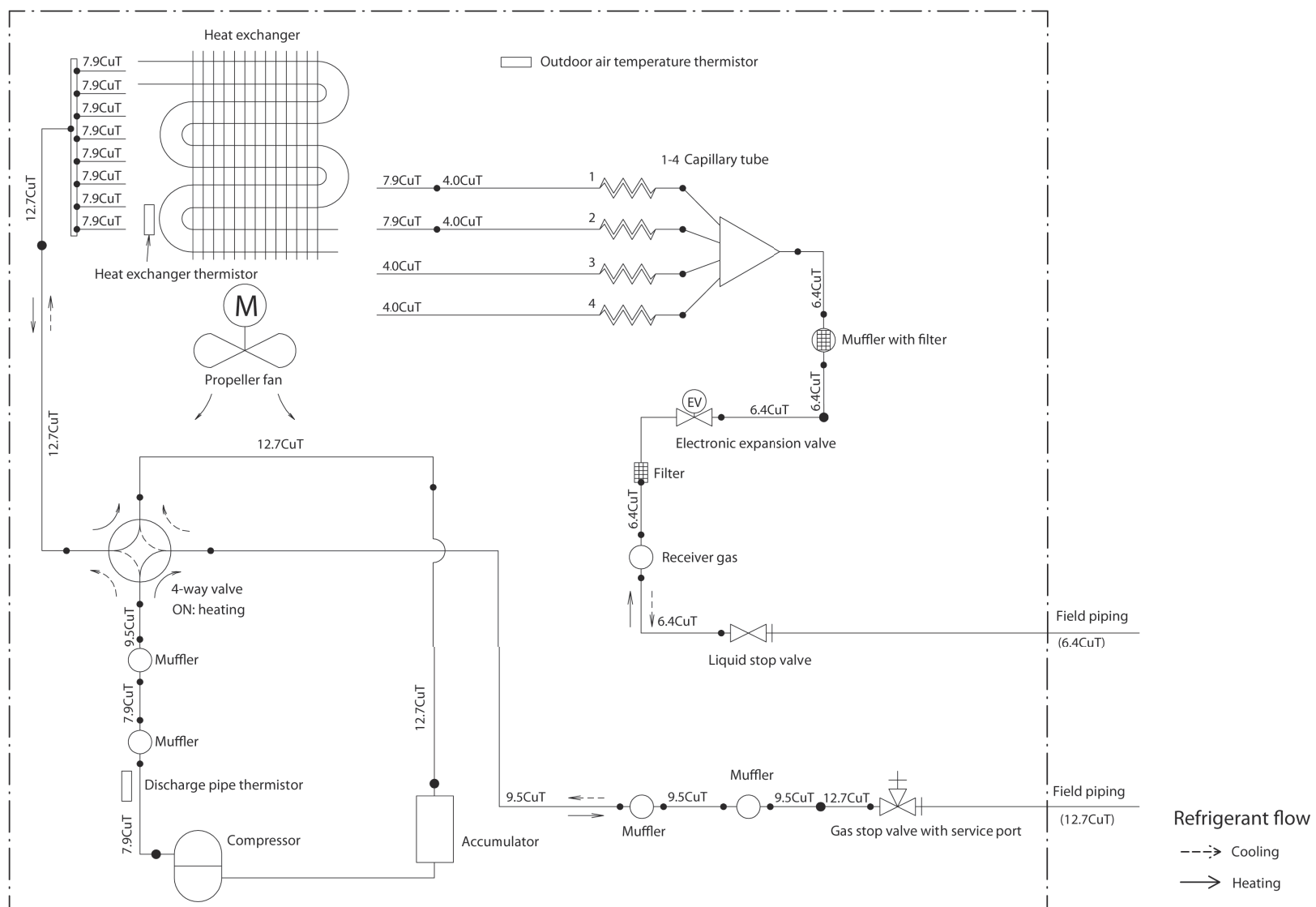
5.3.2.5. RXJ20-35M(9)

Figure 5-46: Piping diagram - outdoor unit RXJ20-35M(9)



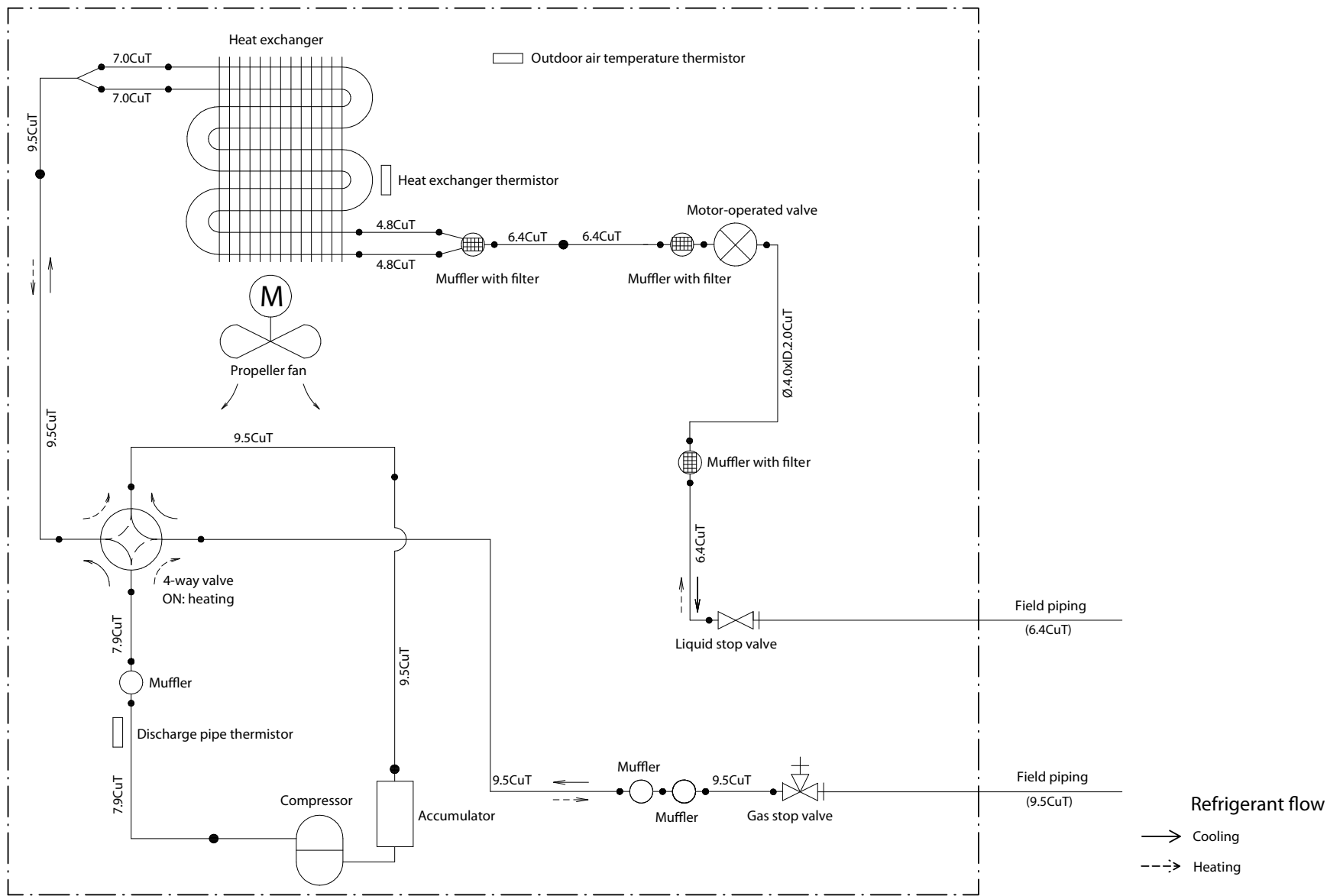
5.3.2.6. RXJ50M

Figure 5-47: Piping diagram - outdoor unit RXJ50M



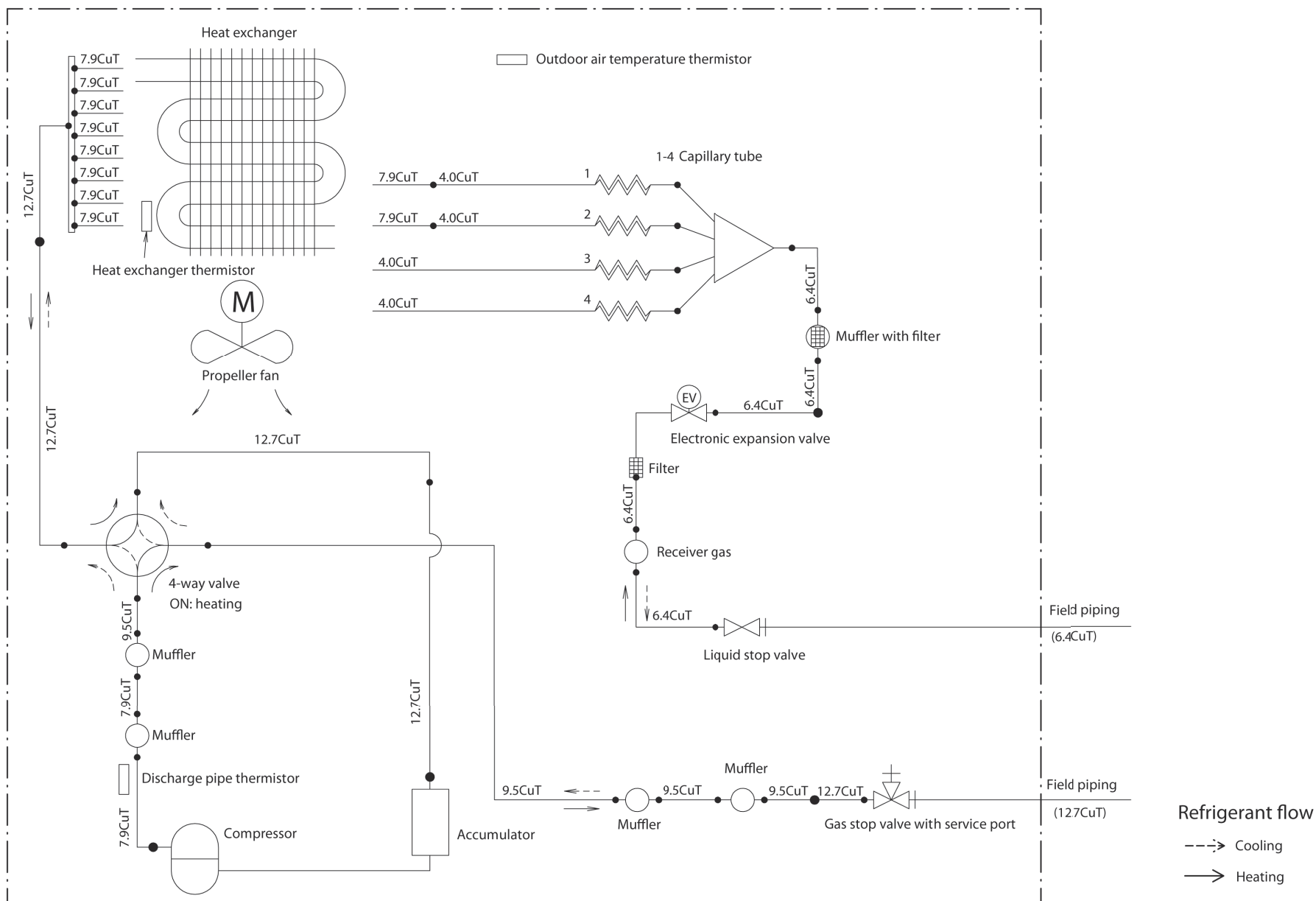
5.3.2.7. RXM20-35M, RXM20-35M9, ARXM-M, ARXM25-35M9, ARXM25-35N9

Figure 5-48: Piping diagram - outdoor unit RXM20-35M, RXM20-35M9, ARXM-M, ARXM25-35M9, ARXM25-35N9



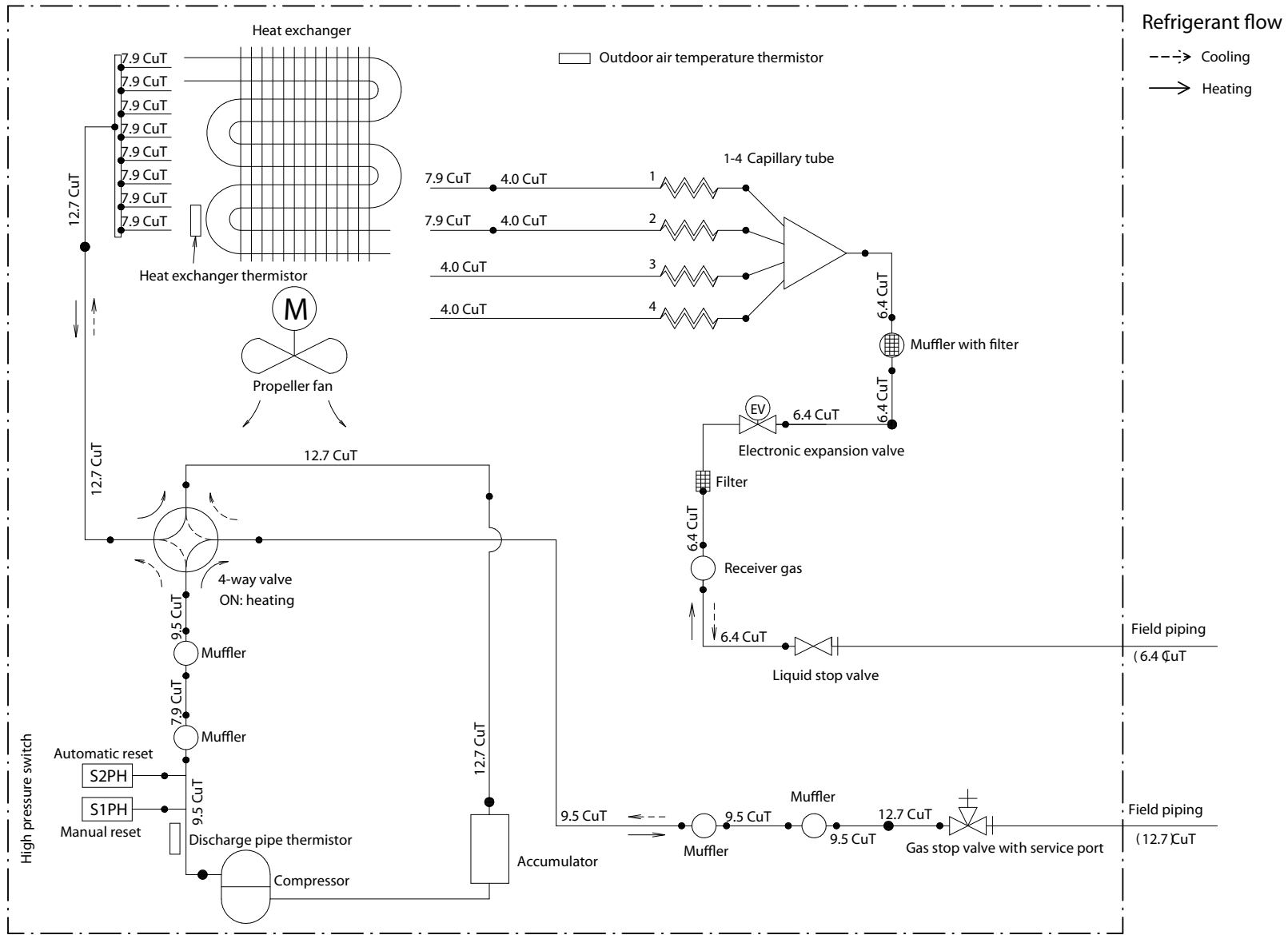
5.3.2.8. RXM42-50M, RXM42-50M9, ARXM50M9

Figure 5-49: Piping diagram - outdoor unit RXM42-50M, RXM42-50M9, ARXM50M9



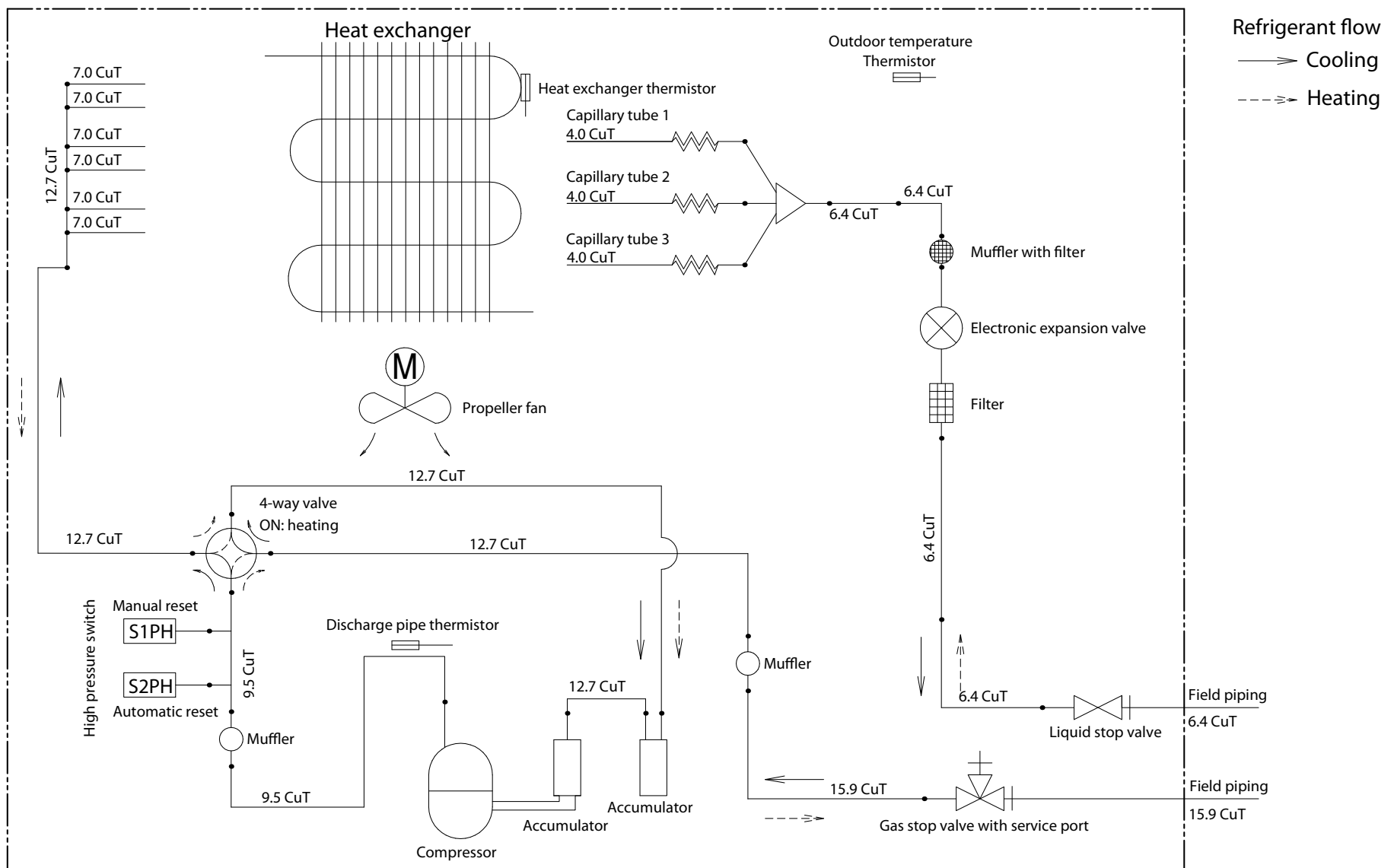
5.3.2.9. RXM60M, RXM60M9

Figure 5-50: Piping diagram - outdoor unit RXM60M, RXM60M9



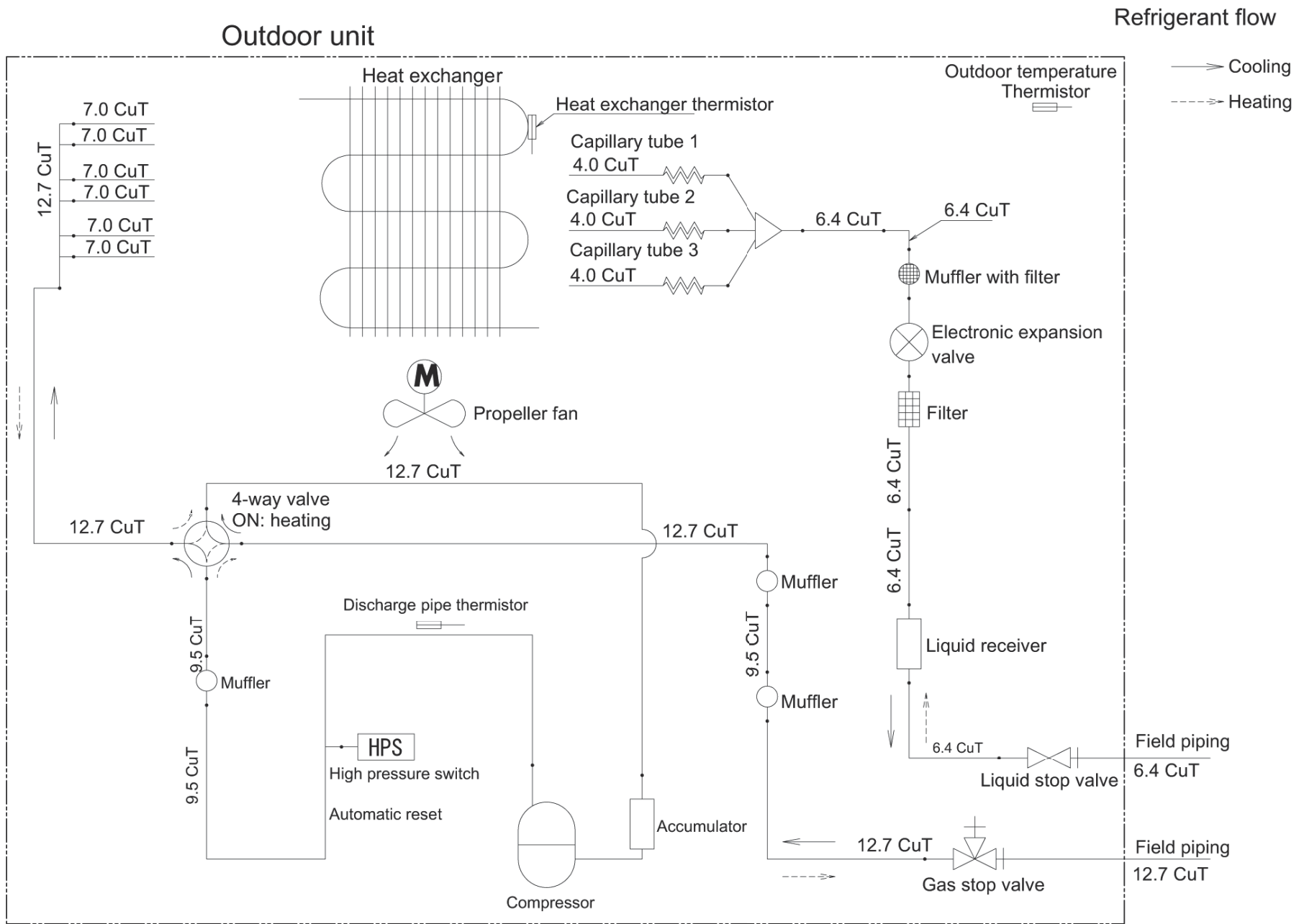
5.3.2.10. RXM71M

Figure 5-51: Piping diagram - outdoor unit RXM71M



5.3.2.11. RXJ50N

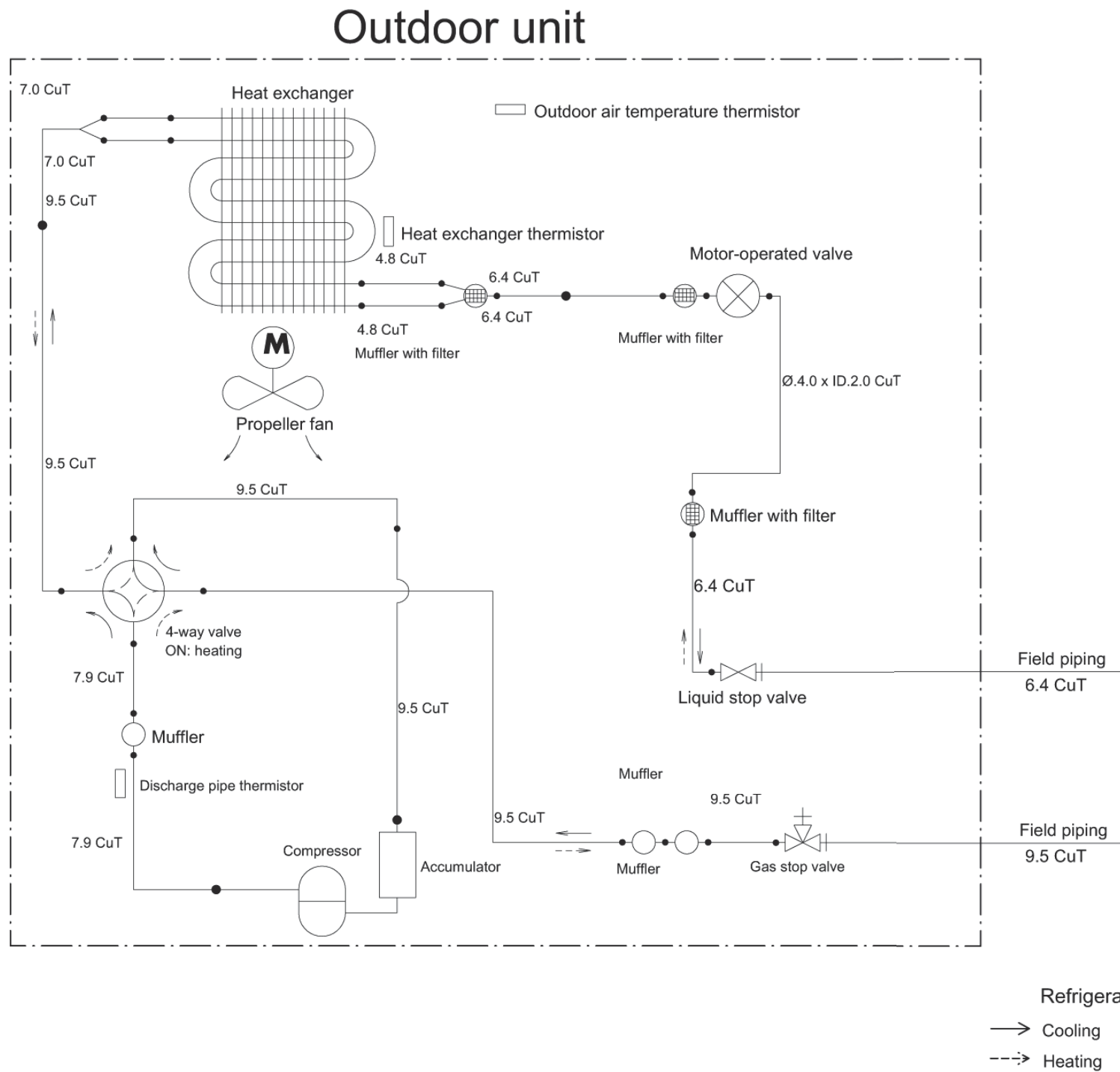
Figure 5-52: Piping diagram - outdoor unit RXJ50N



3D116829

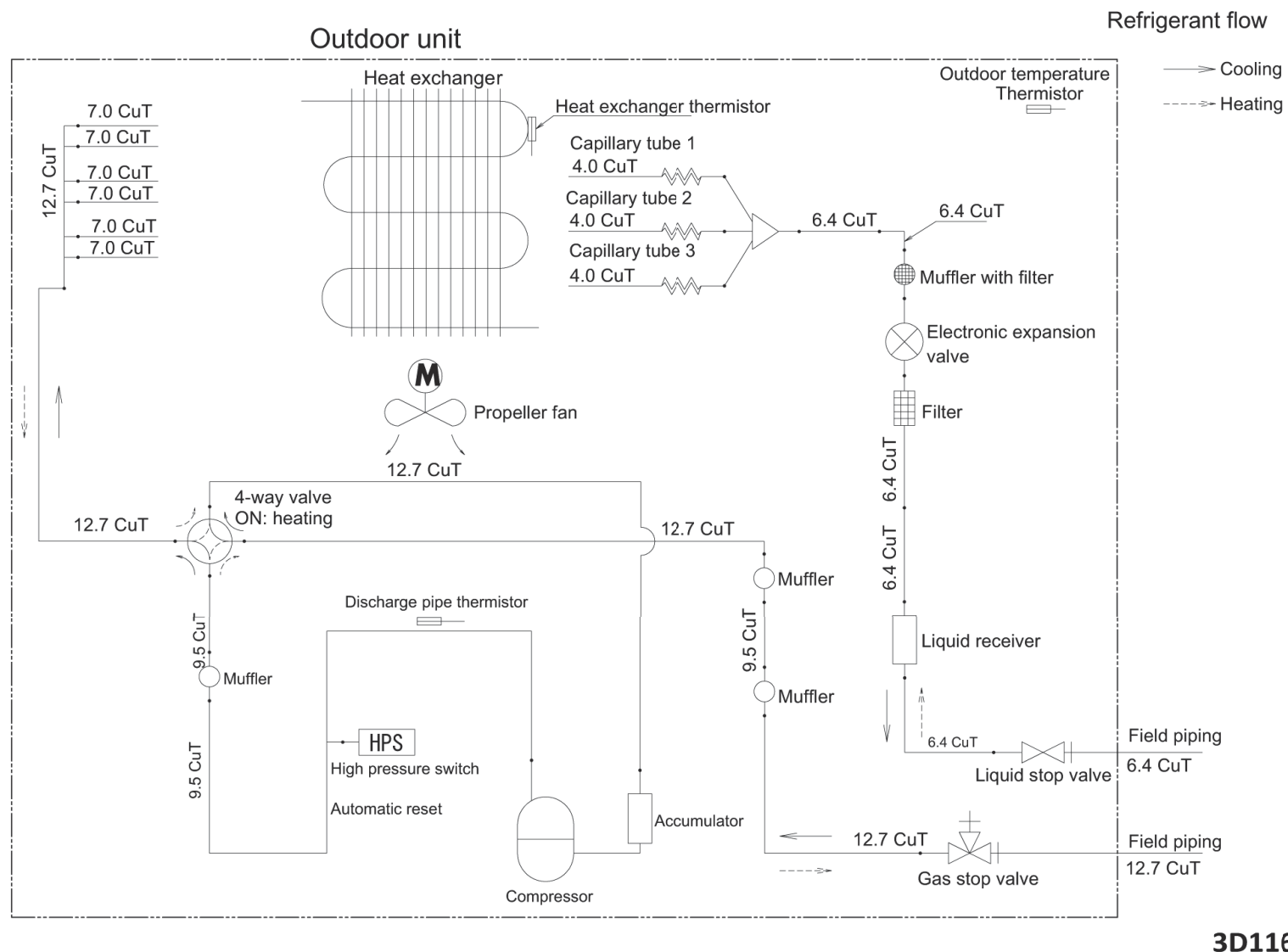
5.3.2.12. RXM20-35N9

Figure 5-53: Piping diagram - outdoor unit RXM20-35N9



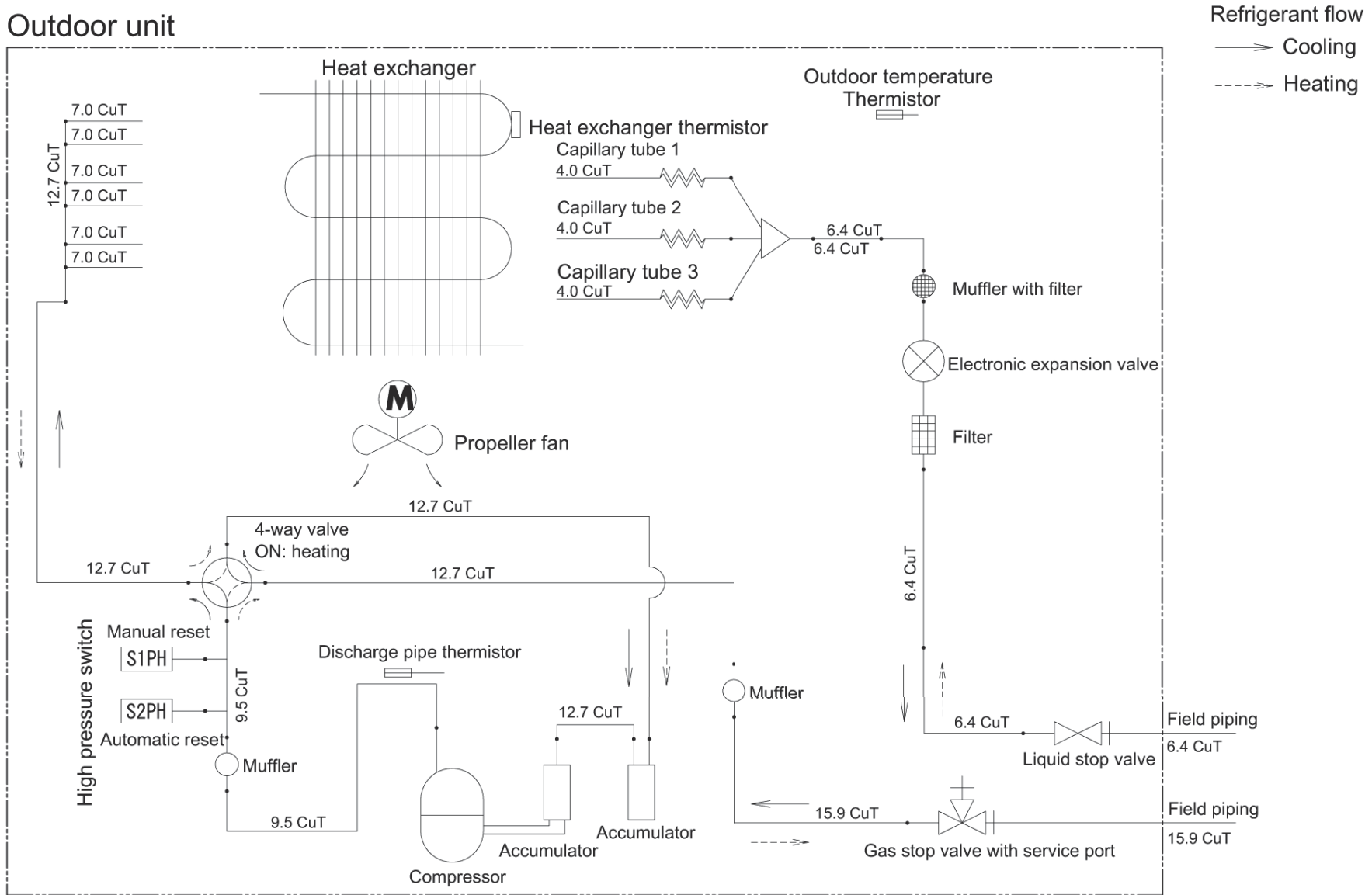
5.3.2.13. RXM42-60N9, ARXM50N, ARXM50-60N9

Figure 5-54: Piping diagram - outdoor unit RXM42-60N9, ARXM50N, ARXM50-60N9



5.3.2.14. RXM71N

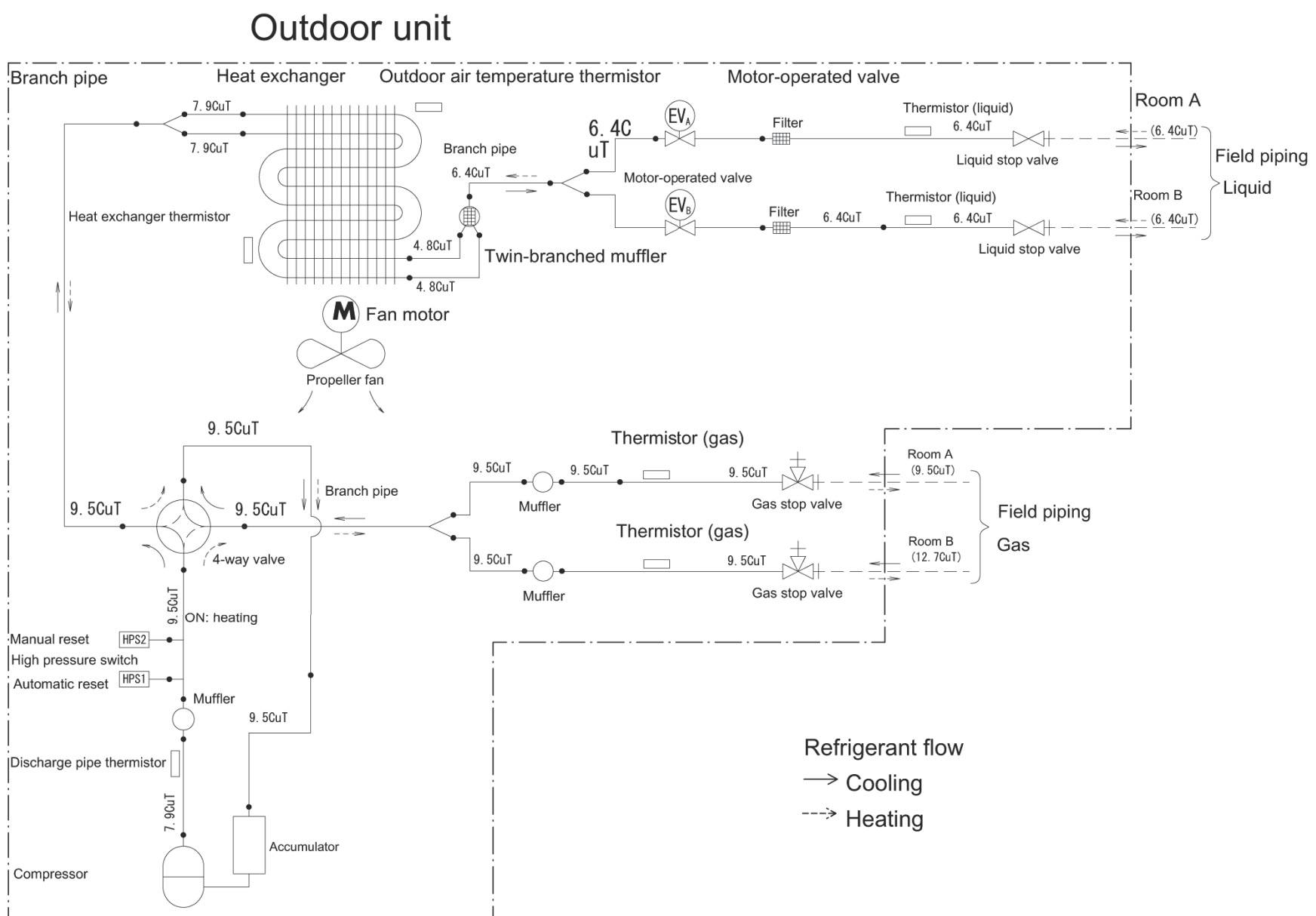
Figure 5-55: Piping diagram - outdoor unit RXM71N



3D100850D

5.3.2.15. 2MXM-M9

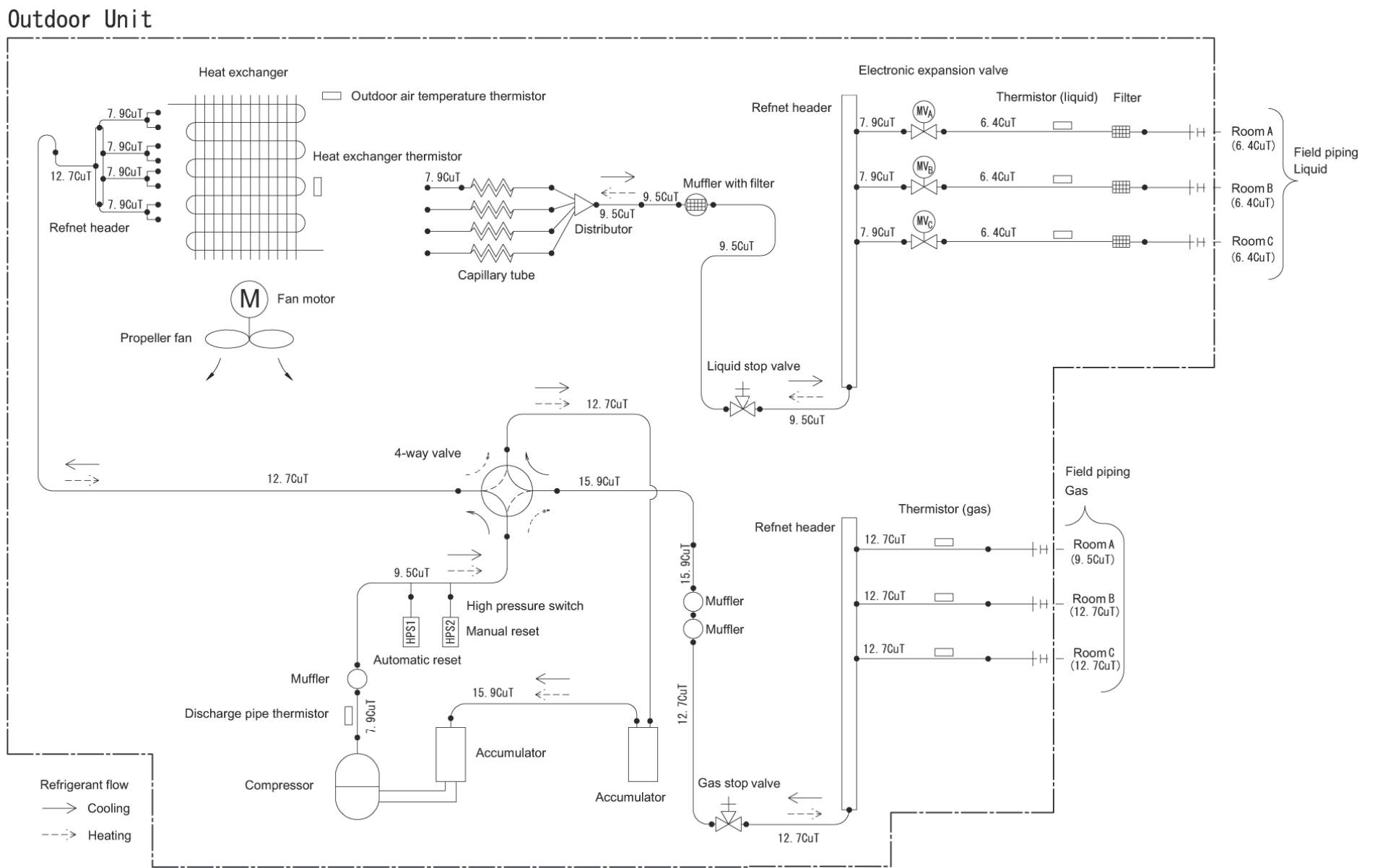
Figure 5-56: Piping diagram - outdoor unit 2MXM-M9



3D097256B

5.3.2.16. 3MXM40-52M, 3MXM40-52N, 3MXM52N9

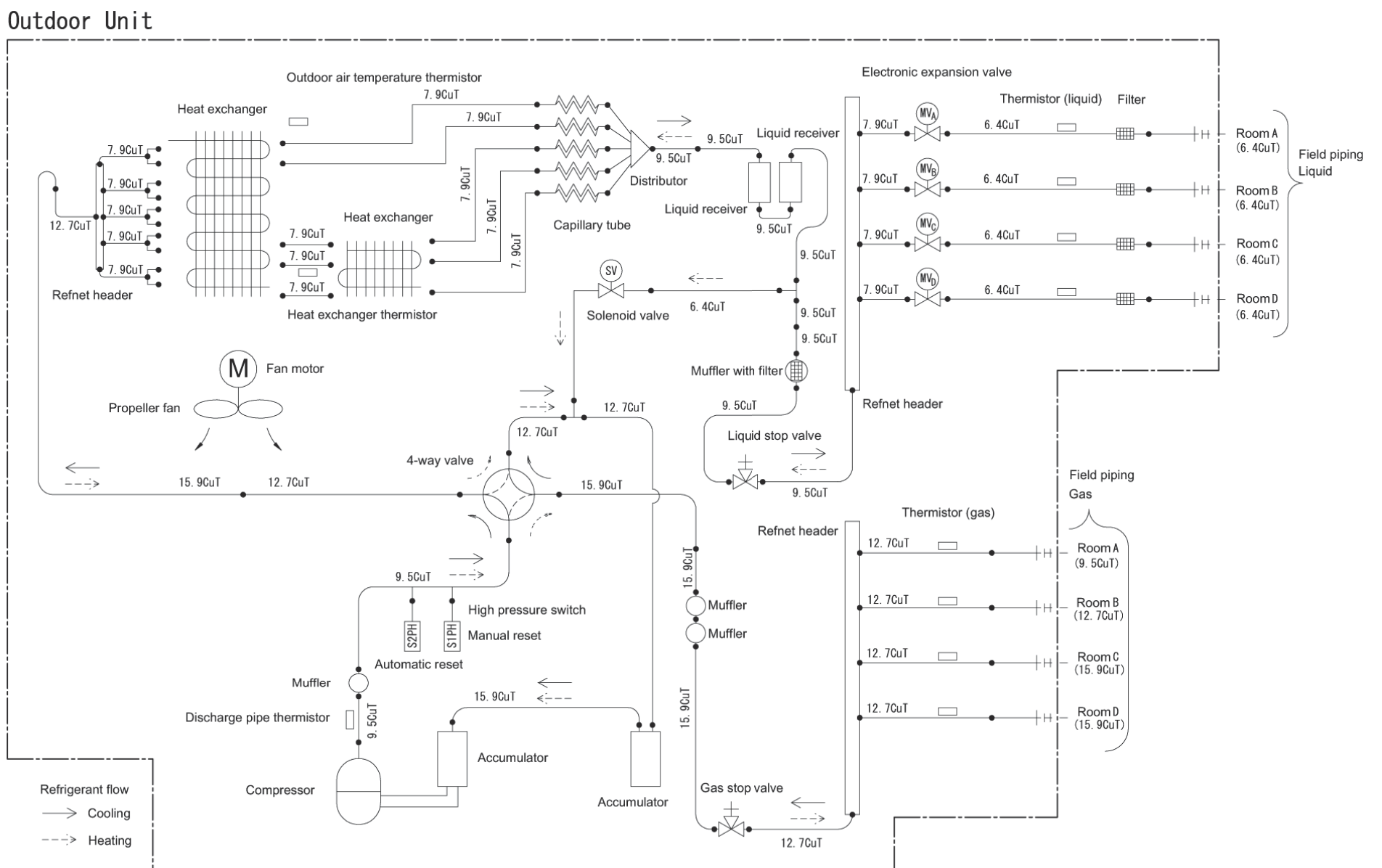
Figure 5-57: Piping diagram - outdoor unit 3MXM40-52M, 3MXM40-52N, 3MXM52N9



3D097989

5.3.2.17. 4MXM80M, 4MXM80N

Figure 5-58: Piping diagram - outdoor unit 4MXM80M, 4MXM80N



3D100791A

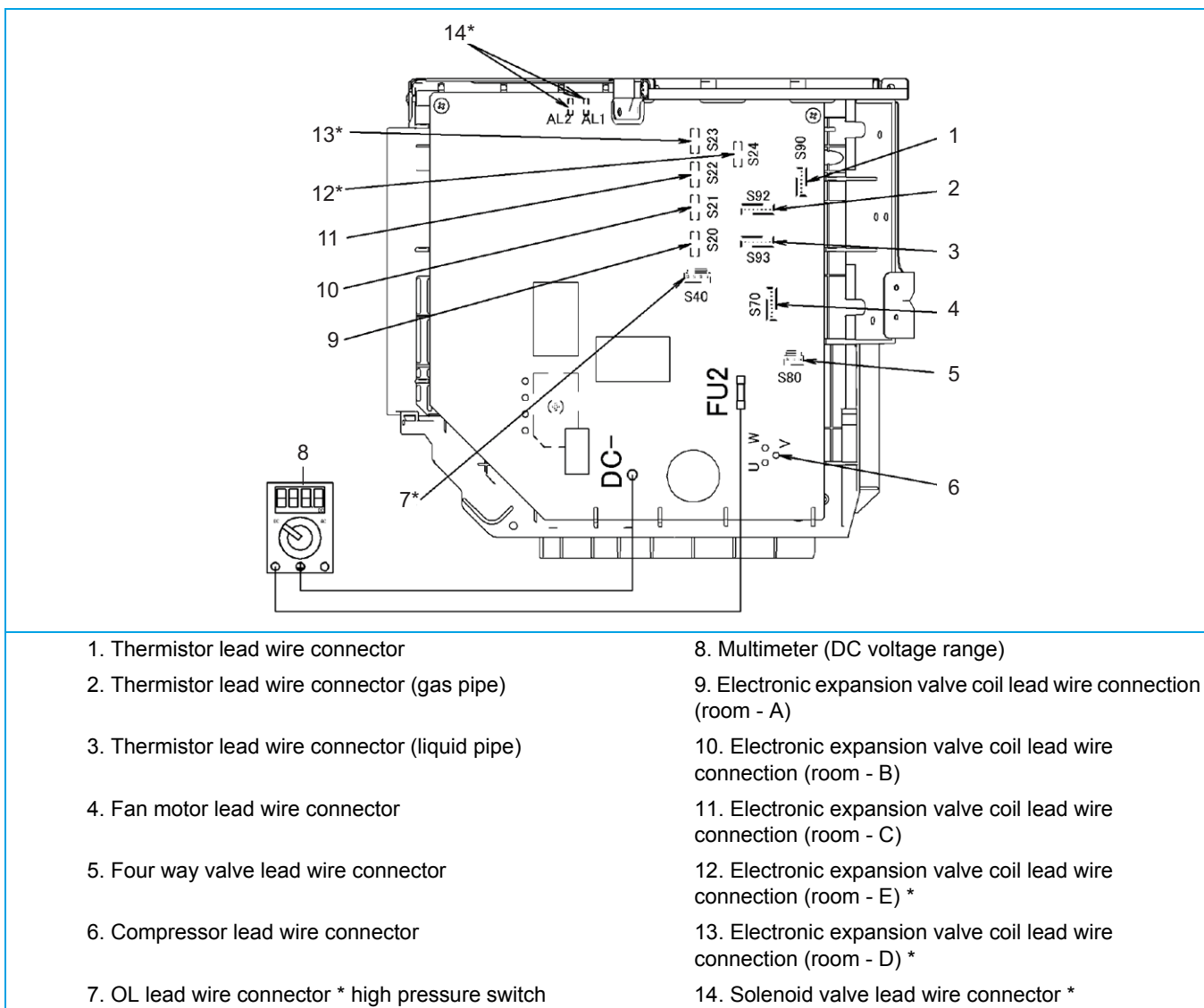
5.4. Component overview of unit

5.4.1. Indoor unit

Not available yet.

5.4.2. Outdoor unit

Figure 5-59: Component overview - outdoor unit



* may not be present depending on the model

5.5. Product specific information

5.5.1. Error codes

5.5.1.1. "E7-00" – Fan motor abnormality

Unit will automatically reset the error after a continuous run for 60 minutes without any other error code.

5.5.1.2. "EA-00" – Malfunction of 4-way valve

Set conditions

Room thermistor/indoor heat exchanger is not functioning within operation range.

Reset conditions

Continuous run for about 60 minutes without any other error.

5.5.1.3. "F3-00" – Discharge pipe temperature abnormality

Set conditions

If the discharge temperature detected is above A, the compressor stops.

Automatic reset conditions

Unit will automatically reset the error when the discharge temperature drops below B for 60 minutes without any other error.

Compressor frequency (Hz)	A (°C)	B (°C)
> 45 Hz and rising > 40 Hz and dropping	110	97
30~45 Hz and rising 25~40 Hz and dropping	105	92
< 30 Hz and rising < 25 Hz and dropping	99	86

5.5.1.4. "L3-00" – Switch box temperature abnormality

Set conditions

When the compressor is off, the radiation fin temperature is above 98 °C.

Automatic reset conditions

Unit will automatically reset the error when the radiation fin temperature drops below 75 °C for 60 minutes without any other error.

To cool the electrical components, the outdoor fan starts when the radiation fin temperature rises above 83 °C and stops when it drops below 75 °C.

5.5.1.5. "L4-00" – Inverter radiating fin temperature abnormality

Set conditions

When the compressor is ON, the radiation fin temperature is above 98 °C.

If the error repeats, the system is shut down.

Automatic reset conditions

Unit will automatically reset the error when the radiation fin temperature drops below 78 °C for 60 minutes without any other error.

5.5.2. Component checklist

Not available yet.

5.6. Switch box

5.6.1. Indoor unit

Not applicable.

5.6.2. Outdoor unit

Not available.

5.7. Field information report

See next page.

In case a problem occurred on the unit which could not be resolved by using the content of this service manual or in case you have a problem which could be resolved but of which the manufacturer should be notified, we advise you to contact your distributor.

To facilitate the investigation, additional information is required. Please fill out the following form before contacting your distributor.



FIELD INFORMATION REPORT

Key person info	
Name:	Company name:
Your contact details Phone number:	E-mail address:
Site address:	
Your reference:	Date of visit:

Claim info	
Title:	
Problem description:	
Error code:	Trouble date:
Problem frequency:	
Investigation steps done:	
Insert picture of the trouble.	
Current situation (solved, not solved, ...):	
Countermeasures taken:	
Comments and proposals:	
Part available for return (if applicable):	

Application info

Application (house, apartment, office, ...):

New project or refurbishment:

Heat emitters (radiators / under floor heating / fan coils / ...):

Hydraulic layout (simple schematic):

Unit / Installation info

Model name:

Serial number:

Installation / commissioning date:

Software version hydro PCB A1P:

Software version hydro PCB A5P:

Software version user interface:

Software version outdoor PCB:

Minimum water volume:

Maximum water volume:

Brine composition and mixture:

Brine freeze up temperature:

Space heating control (leaving water temperature, room thermostat, ext. room thermostat):

Space heating setpoint:

Domestic hot water control (reheat only, schedule only, reheat + schedule):

Domestic hot water setpoint:

Provide pictures of the field settings overview (viewable on the user interface).